

**Warranty Registration:**  
 register online today for a  
 chance to win a FREE Tripp Lite  
 product—[www.tripplite.com/warranty](http://www.tripplite.com/warranty)

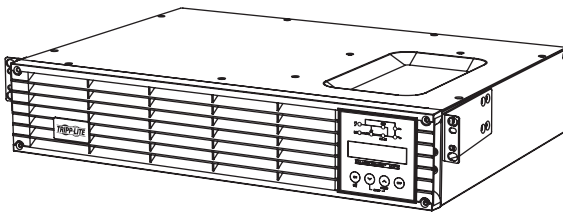


# Owner's Manual

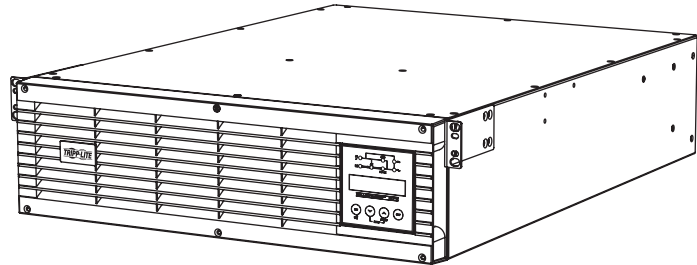
## SmartOnline™

### Single-Phase Rackmount Online UPS Systems with Built-in LCD Monitoring & Control Screen

Not suitable for mobile applications.



SU750RTXLCD2U  
 SU1000RTXLCD2U  
 SU1500RTXLCD2U  
 SU2200RTXLCD2U



SU3000RTXLCD3U



<b>1. Overview</b>	<b>2</b>	<b>6. Operation</b>	<b>13</b>
Parts List	2	Modes of Operation	13
Additional Accessory Options	2	LCD Informational Screens	16
Model Specific Accessories	2	UPS Setup Overview	18
<b>2. Important Safety Instructions</b>	<b>3</b>	Using PowerAlert	18
<b>3. Installation</b>	<b>4</b>	Using Front Panel LCD Interface	18
Rack Mounting	4	<b>7. Troubleshooting</b>	<b>25</b>
Tower Mounting	6	<b>8. Internal Battery Replacement</b>	<b>26</b>
<b>4. Features</b>	<b>7</b>	<b>9. Storage and Service</b>	<b>30</b>
Front Panel Controls	7	<b>10. Warranty Registration</b>	<b>30</b>
Rear Panel Features	8	<b>Español</b>	<b>31</b>
<b>5. Basic Connection and Start-Up</b>	<b>10</b>	<b>Français</b>	<b>61</b>
Quick Start Guide	10		
Optional Connections	11		

NOTE: External battery pack options require configuration using front panel LCD interface or via Tripp Lite's EXTERNAL BATTERY CONFIGURATION software. See page 23 for more information if you are connecting external batteries to this UPS.



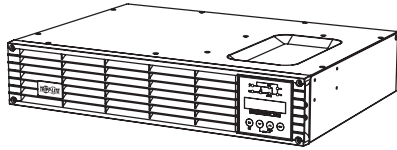
1111 W. 35th Street, Chicago, IL 60609 USA • [www.tripplite.com/support](http://www.tripplite.com/support)

Copyright ©2013 Tripp Lite. All rights reserved. SmartOnline™ is a trademark of Tripp Lite. For latest updates, please visit [www.tripplite.com](http://www.tripplite.com)

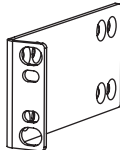
## Overview

Tripp Lite SmartOnline Rackmount UPS Systems with interactive LCD interface feature online, double-conversion UPS protection with full-time sine wave output and zero transfer time suitable for all advanced networking applications. Each system provides long running battery support with optional extended-run and SNMP/Web communications ability. Built-in interfaces include USB, DB9 serial and Emergency Power Off (EPO). The interactive front panel LCD screen provides detailed UPS status, preset and control options. An optional economy mode setting reduces power consumption and BTU heat output.

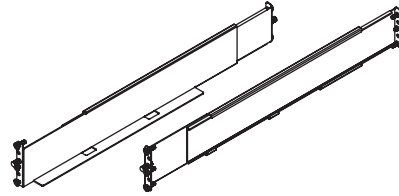
### Parts List



UPS System



Bolt-on mounting ears (2)



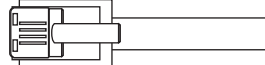
4-post rail kit\*



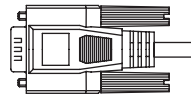
PowerAlert CD



USB Cable



EPO (RJ11) Cable



RS-232 Cable



Owner's manual

\*Note: 3kVA (3U) models will include a different 4-post rail kit than the one shown.

### Additional Accessories (All Models; Optional)

- SNMPWEBCARD: Internal network interface card for SNMP/Web control and monitoring
- ENVIROSENSE: Temperature/Humidity sensor for use with SNMPWEBCARD
- SRSWITCH: Rack door sensor for use with ENVIROSENSE and SNMPWEBCARD
- RELAYIOCARD: Programmable Relay I/O Card for remote UPS monitoring
- 2-9USTAND: Supports rackmount UPS and battery packs in upright tower configuration (not for SU3000RTXLCD3U)

### Model Specific Accessories (Optional)\*

UPS Model	SU750RTXLCD2U	SU1000RTXLCD2U	SU1500RTXLCD2U	SU2200RTXLCD2U	SU3000RTXLCD3U
<b>External Battery Packs (LIMIT 1)**</b>	BP24V15RT2U	BP24V15RT2U	BP48V24-2U	BP48V24-2U	BP72V15-2U
<b>External Battery Packs (NO LIMIT)**</b>	BP24V70RT3U	BP24V70RT3U	BP48V60RT3U	BP48V60RT3U	BP72V28RT3U
<b>Hot-swap PDU System</b>	PDUB15	PDUB15	PDUB15	PDUB20	PDUB30
<b>2 Post Rackmount Kit</b>	2POSTRMKITWM	2POSTRMKITWM	2POSTRMKITWM	2POSTRMKITWM	2POSTRMKITHD
<b>5 Year Extended Warranty</b>	WEXT5-500-1500	WEXT5-500-1500	WEXT5-500-1500	WEXT5-2200-3000	WEXT5-2200-3000

\*Visit the specification page for your UPS system at [www.tripplite.com](http://www.tripplite.com) for detailed extended runtime data and additional accessory options.

\*\* Note: External battery pack options require configuration using front panel LCD interface or via Tripp Lite's EXTERNAL BATTERY CONFIGURATION software. See page 23 for more information if you are connecting external batteries to this UPS.

## Important Safety Instructions



### SAVE THESE INSTRUCTIONS

This manual contains instructions and warnings that should be followed during the installation, operation and storage of all Tripp Lite UPS Systems. Failure to heed these warnings may affect your warranty.

### UPS Location Warnings

- Install your UPS indoors, away from excess moisture or heat, conductive contaminants, dust or direct sunlight.
- For best performance, keep the indoor temperature between 32° F and 104° F (0° C and 40° C).
- Leave adequate space around all sides of the UPS for proper ventilation.
- **Do not mount unit with its front or rear panel facing down (at any angle). Mounting in this manner will seriously inhibit the unit's internal cooling, eventually causing product damage not covered under warranty.**

### UPS Connection Warnings

- Connect your UPS directly to a properly grounded AC power outlet. Do not plug the UPS into itself; this will damage the UPS.
- Do not modify the UPS's plug, and do not use an adapter that would eliminate the UPS's ground connection.
- Do not use extension cords to connect the UPS to an AC outlet. Your warranty will be voided if anything other than Tripp Lite surge suppressors are used to connect your UPS to an outlet.
- If the UPS receives power from a motor-powered AC generator, the generator must provide clean, filtered, computer-grade output.
- The mains socket outlet that supplies the UPS should be near the UPS and be easily accessible.
- To remove AC voltage from the UPS, pull the plug from the socket outlet.

### Equipment Connection Warnings

- Use of this equipment in life support applications where failure of this equipment can reasonably be expected to cause the failure of the life support equipment or to significantly affect its safety or effectiveness is not recommended. Do not use this equipment in the presence of a flammable anesthetic mixture with air, oxygen or nitrous oxide.
- Do not connect surge suppressors or extension cords to the output of your UPS. This might damage the UPS and may affect the surge suppressor and UPS warranties.
- Connect the UPS to an outlet that is adequately protected against excess currents, short circuits and earth faults, as part of the building installation. The outlet protection for the UPS should be in series with the mains input.

### Battery Warnings

- Batteries can present a risk of electrical shock and burn from high short-circuit current. Observe proper precautions. Do not dispose of the batteries in a fire. Do not open the UPS or batteries. Do not short or bridge the battery terminals with any object. Unplug and turn off the UPS before performing battery replacement. Use tools with insulated handles. There are no user-serviceable parts inside the UPS. Battery replacement should be performed only by authorized service personnel using the same number and type of batteries (Sealed Lead-Acid). The batteries are recyclable. Refer to your local codes for disposal requirements or visit [www.tripplite.com/UPSbatteryrecycling](http://www.tripplite.com/UPSbatteryrecycling) for recycling information. Tripp Lite offers a complete line of UPS System Replacement Battery Cartridges (R.B.C.). Visit Tripp Lite on the Web at [www.tripplite.com/support/battery/index.cfm](http://www.tripplite.com/support/battery/index.cfm) to locate the specific replacement battery for your UPS.
- Note: External battery pack options require configuration using front panel LCD interface or via Tripp Lite's EXTERNAL BATTERY CONFIGURATION software. See page 23 for more information if you are connecting external batteries to this UPS.

# Installation

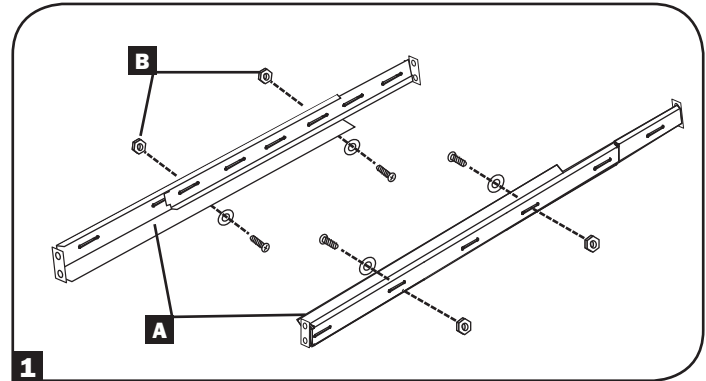
## Rack Mounting

Mount your equipment in either a 4-post or 2-post rack or rack enclosure (see next page for 2-post mounting). The user must determine the fitness of hardware and procedures before mounting. If hardware and procedures are not suitable for your application, contact the manufacturer of your rack or rack enclosure. The procedures described in this manual are for common rack and rack enclosure types and may not be appropriate for all applications.

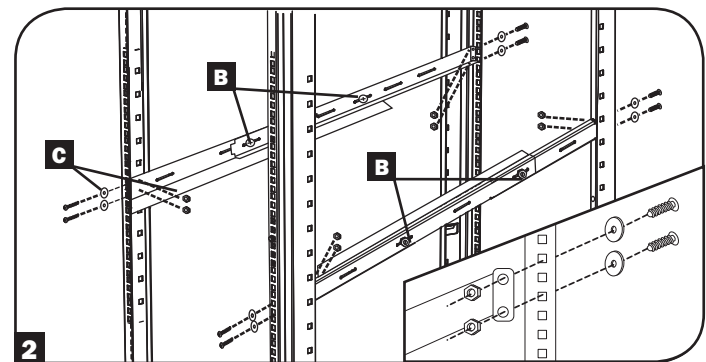
### 4-Post Mounting (3U Units)

All UPS models include hardware required to mount in a 4-post square-hole rack. All models include an adjustable rackmount shelf kit to provide support.

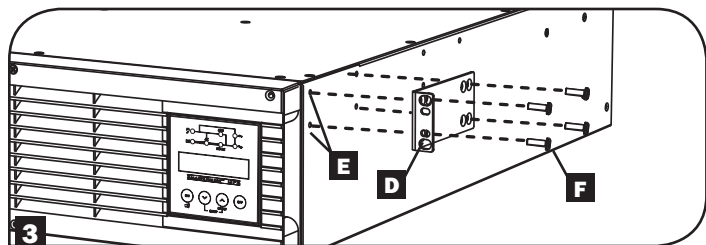
- 1 Connect the two segments of each shelf **A** using the included screws and nuts **B**. Leave the screws slightly loose so that the shelves can be adjusted in the next step.



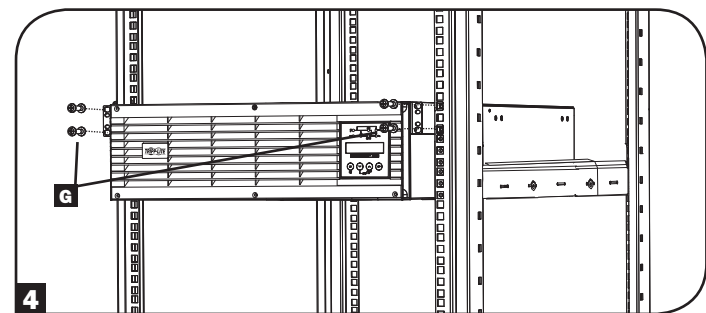
- 2 Adjust each shelf to fit your rack, then mount them in the lowest available space of your rack with the screws, nuts and washers provided **C**. Note that the support ledges should face inward. Tighten the screws that connect the shelf segments **B**.



- 3 Attach mounting ears **D** to the front mounting holes of your UPS **E** using the screws provided **F**. The ears should face forward.



- 4 Using an assistant if necessary, lift your UPS and slide it onto the mounting shelves. Attach your UPS to the rack by using the appropriate hardware **G** through its mounting ears and into the rack rails. (For 3U installation, user-supplied cage nuts are also required.) Tighten all screws securely.

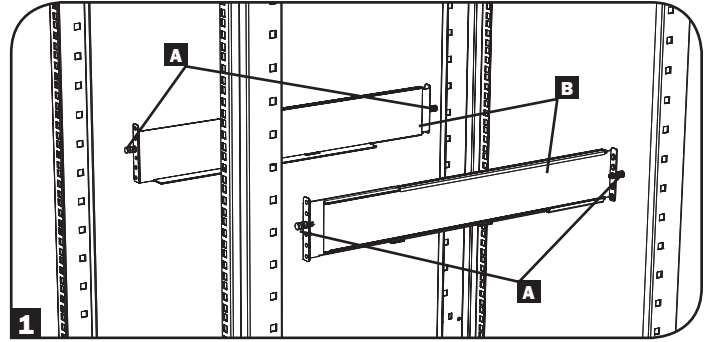


# Installation

## 4-Post Mounting (2U Units)

- 1 The included plastic pegs **A** will temporarily support the empty rackmount shelves **B** while you install the permanent mounting hardware. Insert a peg into the third hole from the top on the front end of each bracket. On the rear end, insert a peg into the center hole. (Each front bracket has 6 holes and each rear bracket has 5 holes.) The pegs will snap into place.

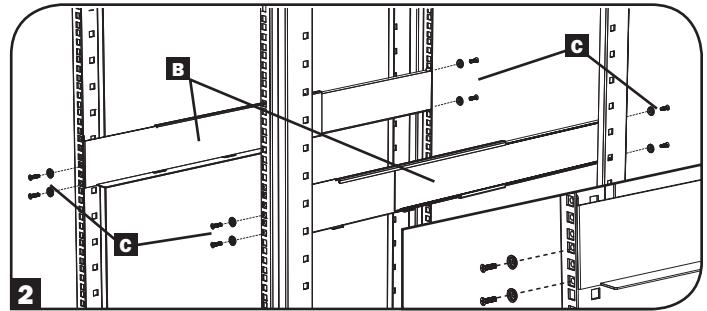
After installing the pegs, expand each shelf to match the depth of your rack rails. The pegs will fit through the square holes in the rack rails to support the shelves. Refer to the rack unit labels to confirm that the shelves are level in all directions. Note: The support ledge of each shelf must face inward.



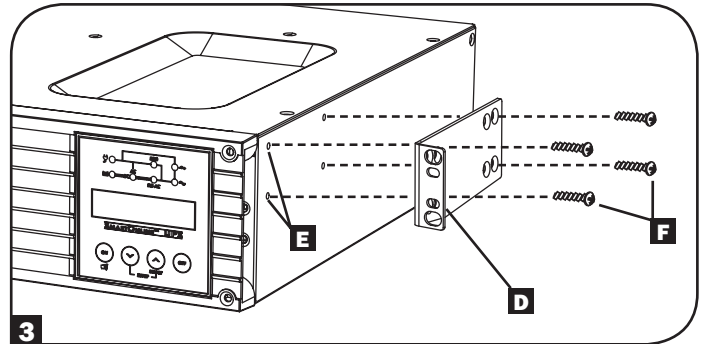
- 2 Remove the pegs at the front end of each bracket. Secure the shelves **B** to the mounting rails permanently using the included screws and cup washers **C** as shown. Place 2 screws at the front of each rail (4 total) and 2 screws at the back of each rail (4 total). Tighten all screws before proceeding. Note: The rear pegs can be left in for installation, but the front ones must be removed before the bracket is secured by screws.

### WARNING!

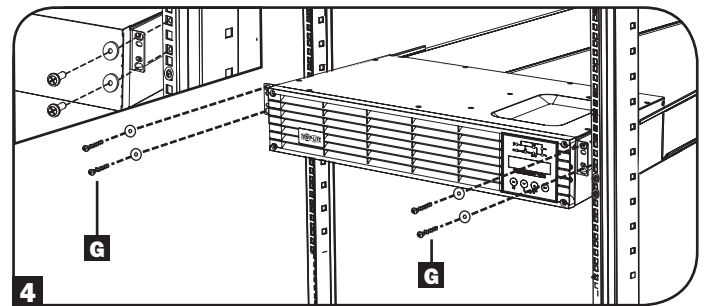
**Do not attempt to install your UPS until you have inserted and tightened the required screws. The plastic pegs will not support the weight of your UPS.**



- 3 Attach your UPS's mounting brackets **D** to the forward mounting holes **E** of the UPS using the included hardware **F**. The mounting bracket "ears" should face forward.



- 4 With the aid of an assistant (if necessary), lift your UPS and slide it into the shelves. Attach the UPS mounting brackets to the forward mounting rails with user-supplied screws and washers **G**. Tighten all screws securely.



# Installation

## 2-Post Mounting

If you mount 2U UPS models in 2-post racks, they require the addition of a Tripp Lite 2-Post Rackmount Installation Kit (model: 2POSTRMKITWM, sold separately). 3U UPS models can also be mounted in 2-post racks, but require the addition of 2POSTRMKITHD (sold separately). See Installation Kit owner's manual for installation procedure.

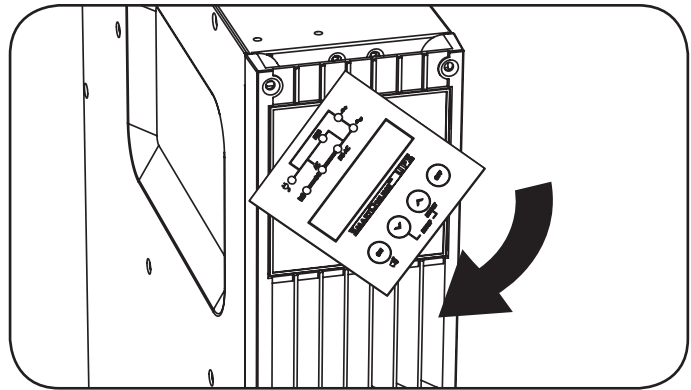
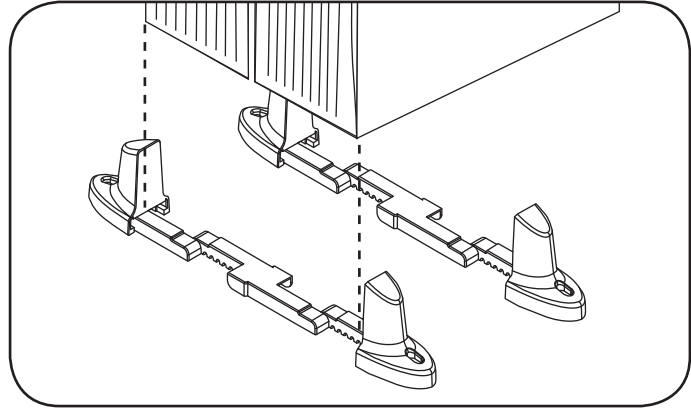
## Tower Mounting (750-2200VA Models Only)

Your UPS can be mounted in an upright tower position with optional base stands sold separately by Tripp Lite (Model # 2-9USTAND). When mounting the UPS on adjustable base stands, make sure that the control panel is toward the top. The control panel may be rotated to make it easier to read. Insert a small screwdriver or similar tool in the slots on either side of the panel, pop it out, rotate it, and pop it back into place as shown. Front panel setup should be operated by service personnel only.

### WARNING!

**All UPS systems are extremely heavy. Use caution when lifting and mounting. User must properly stabilize the UPS when lifting and mounting.**

*Note: SU3000RTLCD3U cannot be tower-mounted. Doing so will inhibit the UPS system's internal cooling.*



Model	SU750RTLCD2U, SU1000RTLCD2U	SU1500RTLCD2U	SU2200RTLCD2U	SU3000RTLCD3U
UPS Dimensions (HxWxD in.)	3.5 x 17.5 x 13.5	3.5 x 17.5 x 19	3.5 x 17.5 x 19	5.25 x 17.75 x 26
UPS Dimensions (HxWxD cm.)	8.8 x 44.4 x 34.3	8.8 x 44.4 x 48.3	8.8 x 44.4 x 48.3	13.3 x 45 x 66

Operating Altitude: 0 to 3000 m (0 to 10,000 ft.)

### EXTERNAL BATTERY CONFIGURATION NOTE

If external battery packs are to be used with this UPS, install them following the mounting/installation documentation included with each battery pack. External battery pack installation requires the UPS be configured one of two ways:

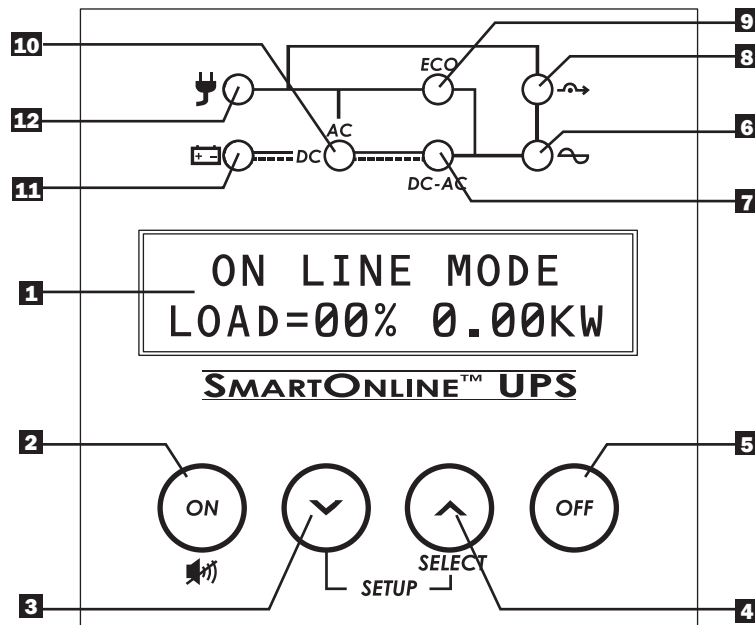
1. Via the UPS front panel LCD interface
2. Via Tripp Lite's EXTERNAL BATTERY CONFIGURATION software

This UPS is factory programmed with discharge curves and charging profiles for two basic external battery pack configurations accessible using the UPS front panel LCD interface. Additional battery pack options using larger or multiple external battery packs are also supported, but require configuration using Tripp Lite's EXTERNAL BATTERY CONFIGURATION software and a serial port connection to the UPS. See page 23 to determine which method applies to your external battery pack configuration.

## Features

Before installing and operating your UPS, familiarize yourself with the locations and function of the features of each component.

### Front Panel Controls, LEDs and LCD Screen



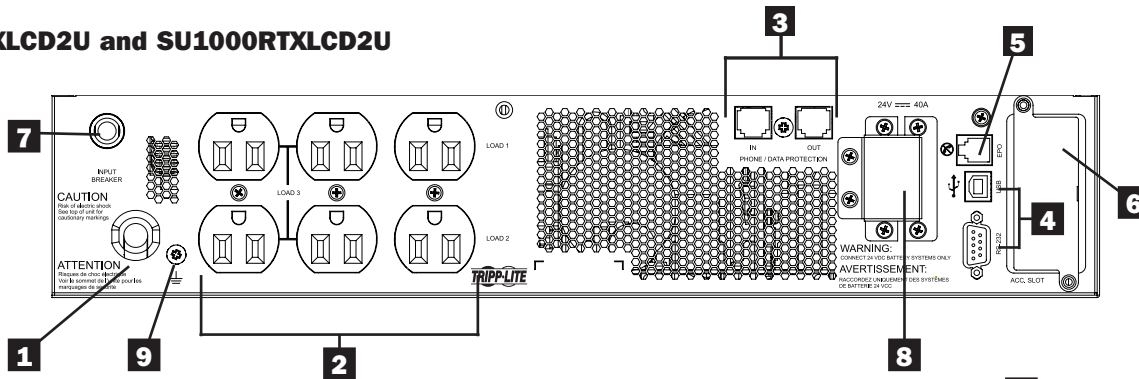
- 1 LCD Screen:** This backlit (16x2 character) dot matrix display indicates a wide range of UPS operating conditions and diagnostic data. It also displays UPS settings and options when viewing the UPS Setup screens.
- 2 ON/MUTE/TEST Button:** This button offers 3 main functions depending on the state of the UPS when it's pressed: Power-on control, alarm-cancel and self-test.
  - To turn the UPS on in ON LINE MODE, press and hold this button as the UPS is connected to a live outlet until a beep is heard, then release.
  - To "cold start" the UPS on in ON BATTERY MODE during a utility power failure, press and hold this button as the UPS is off until a beep is heard, then release.
  - Press this button during a power failure to MUTE the audible alarm. Alarm will re-sound to indicate low-battery.
  - To perform a SELF TEST, as the UPS is operating normally in on-line or economy mode, press and hold this button until a beep is heard, then release.
- 3 Scroll Down/Exit Setup Button:** This button allows you to browse through different operating conditions and options on the LCD display. Momentarily pressing it causes the LCD screen to display a different operating condition (see *Operation* section for details). Pressing this button and the SCROLL UP button simultaneously for 3 seconds will launch a series of setup screens. During setup operation, this button is used to scroll through setup options and select setup options.
- 4 Scroll Up/SELECT Button:** This button allows you to browse through different operating conditions and options on the LCD display. Momentarily pressing it causes the LCD screen to display a different operating condition (see *Operation* section for details). Pressing this button and the SCROLL DOWN button simultaneously for 3 seconds will launch a series of setup screens. During setup operation, this button is used to scroll through setup options and select setup options.
- 5 OFF Button:** Press this button until you hear a beep and see the confirmation message on the LCD display ("Turn OFF UPS: Y/N"). Then, press the SCROLL UP button to turn the UPS system's inverter OFF.
- 6 Output LED:** This green LED will illuminate to indicate that your UPS is supplying AC power to connected equipment.
- 7 DC/AC (Inverter) LED:** This green LED will illuminate to indicate that the UPS's DC/AC inverter is activated.
- 8 Bypass LED:** This yellow LED will flash when the UPS is providing filtered mains power without engaging its converter or inverter. If this LED is flashing, connected equipment will not receive battery power in the event of a blackout.
- 9 ECO (Economy Mode) LED:** This green LED will illuminate to indicate that your UPS is operating in Economy Mode. If this LED is lit, the equipment is supplied by filtered main power. The inverter will be active during a blackout or brownout and will supply continuous AC power to the equipment.
- 10 AC/DC (Converter) LED:** This green LED will illuminate to indicate that the UPS's AC/DC converter is activated while AC power is available.  
*Note: This LED will also illuminate to indicate that the UPS's DC/DC converter is activated while battery is discharged to provide connected equipment with AC power.*
- 11 Battery LED:** This green LED will illuminate when the UPS is discharging the battery to provide connected equipment with AC power. When lit, an alarm will sound which can be silenced by pressing the ON/MUTE button. This LED will remain lit after the alarm is silenced.
- 12 Input LED:** This green LED will illuminate to indicate AC input supply is present and in good condition. It will flash if the AC input supply is out of acceptable bypass range.

# Features

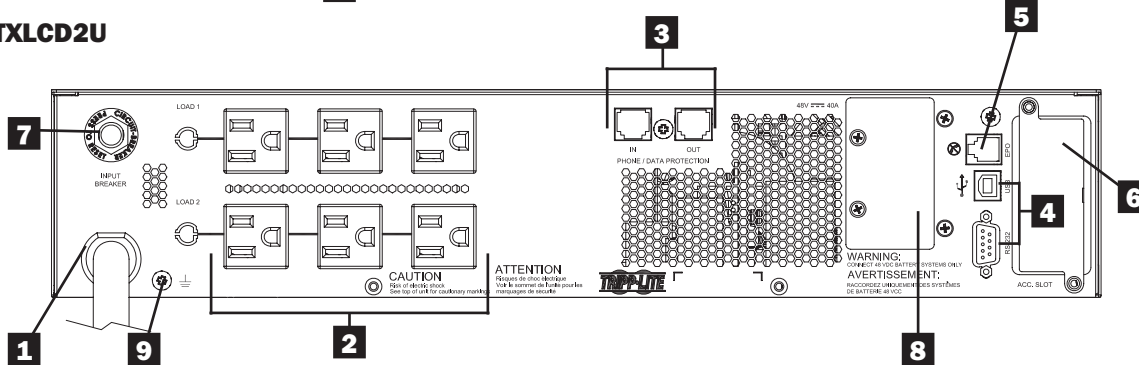
## Rear Panel Features

Note: The descriptions for these images are on the following page.

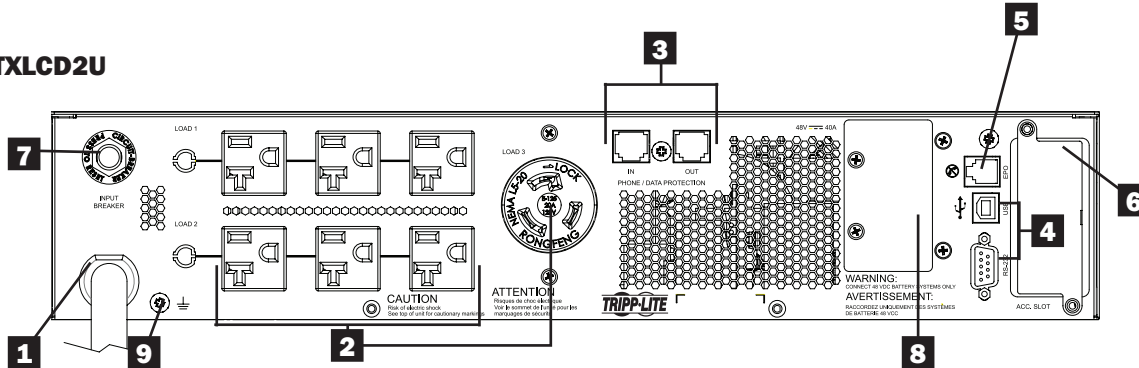
### SU750RTLCD2U and SU1000RTLCD2U



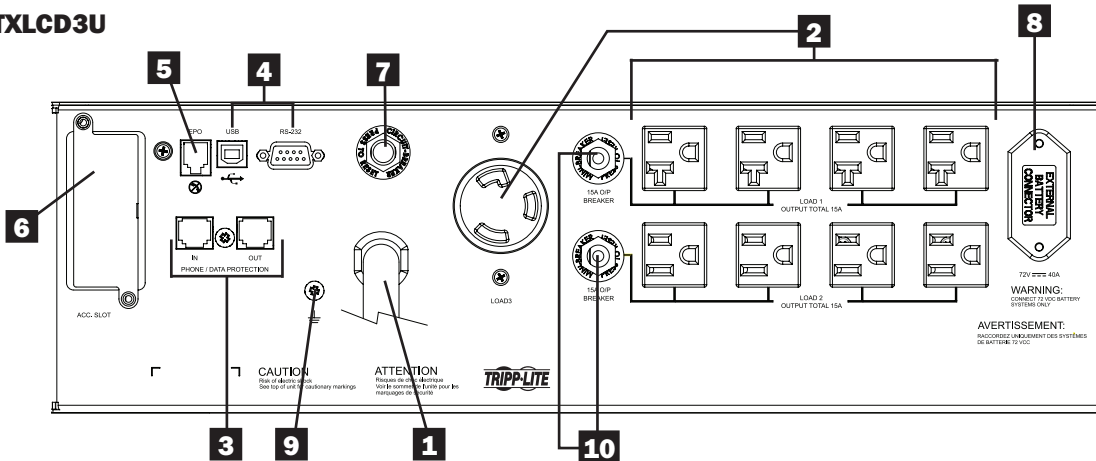
### SU1500RTLCD2U



### SU2200RTLCD2U



### SU3000RTLCD3U





## Features

- 1 Input Cord:** This permanently attached power cord connects your UPS to a power outlet.
- 2 AC Receptacles (Varies by Model):** These output receptacles provide connected equipment with pure sine-wave AC output during normal operation and battery power during blackouts and severe brownouts. Power provided at these outlets is filtered to protect connected equipment against damaging surges and line noise. The receptacles are divided into numbered load banks, as labeled on the unit. Using PowerAlert software and cabling, load banks one and two may be individually turned off and on from a remote location, allowing users to reset or reboot connected equipment.
- 3 Telephone or Telephone/Network Protection Jacks:** These jacks protect your equipment against surges over a telephone line or telephone/network data line, depending on model. Connecting your equipment to these jacks is optional. Your UPS will work properly without this connection. *Note: Not compatible with PoE (Power Over Ethernet) applications.*
- 4 Communications Ports (USB or RS-232):** These ports connect your UPS to any workstation or server. Use with Tripp Lite's PowerAlert Software and included cables to enable your computer to automatically save open files and shut down equipment during a blackout. Also use PowerAlert Software to monitor a wide variety of AC line power and UPS operating conditions. Consult your PowerAlert Software manual or contact Tripp Lite Customer Support for more information. The 9-pin RS-232 port also supports dry-contact communications. See USB & RS-232 Serial Communications *in the Optional Connections section for installation instructions.*
- 5 EPO (Emergency Power Off) Port:** Your UPS features an EPO port that may be used to connect the UPS to a contact closure switch to enable emergency inverter shutdown. See *Optional Installation section for details.*
- 6 Accessory Slot:** Remove the small cover panel from this slot to use optional accessories to remotely monitor and control your UPS. Visit [www.tripplite.com](http://www.tripplite.com) to see a full list of accessories, including the SNMPWEBCARD for remote control and UPS monitoring, as well as a wide variety of network management and connectivity products.
- 7 Input Circuit Breaker:** This resettable breaker prevents high input current from damaging the UPS or the attached load. If this breaker trips, verify your UPS load before resetting the breaker switch in.
- 8 External Battery Pack Connector (configuration varies by model):** Your UPS supports the use of optional Tripp Lite external battery packs for additional runtime. See *Unit Specific Accessories* section under *Overview* for compatible models and limitations and *LCD Set-Up* section under *Operation* for configuration instructions.  
*Note: External battery pack options require configuration using front panel LCD interface or via Tripp Lite's EXTERNAL BATTERY CONFIGURATION software. See page 23 for more information if you are connecting external batteries to this UPS.*
- 9 Ground Screw:** Use this to connect any equipment that requires a chassis ground.
- 10 Output Circuit Breakers Switches (Select Models Only):** These resettable circuit breakers protect your UPS from output overload. If one or both breakers trip, remove some of the load on the circuit(s) and allow the UPS to cool before pressing the breaker switch(es) in to reset.

## Basic Connection and Start-Up

### Quick Start Guide

#### 1 Plug your UPS's line cord into an electrical outlet.

Your UPS must be connected to a dedicated circuit of sufficient amperage. Note, however, that select models may be fitted with different plug types. Refer to the rating table on top of your UPS for more details on each selectable operating voltage.

Once your UPS is plugged in, all indicator LEDs will flash on momentarily and the fan will turn on. The LCD display will scroll two message screens for 2 seconds each:

STANDBY MODE  
LOAD 0% 0.00KW

PRESS ON KEY  
TO START UPS

*Note: Until the UPS is connected to a powered AC outlet for the first time, COLD START (startup in battery mode during a power failure) is not available. See COLD START LCD setup section (pg. 22) for more information.*

Power is not supplied to the UPS outlets in STANDBY mode in the factory configuration. Bypass output can be enabled in standby mode via the built-in LCD configuration screens.

#### 2 Plug your equipment into your UPS.

Your UPS is designed to support computer equipment only. You will overload your UPS if you connect household appliances or laser printers to the UPS's outlets.

#### 3 Turn your UPS ON:

- Press the "ON/MUTE" button
- Hold it for several seconds until you hear a beep
- Release it

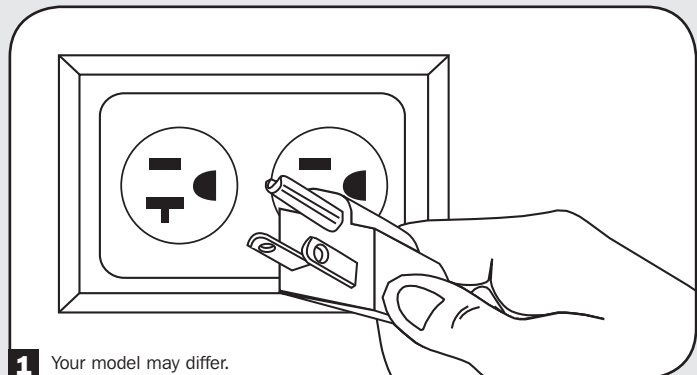
After successful completion of startup diagnostics, your UPS will begin providing power to its outlets. The INPUT, AC/DC (converter), DC/AC (inverter) and OUTPUT LEDs will illuminate and the LCD screen will display:

ON LINE MODE  
LOAD= 00% 0.00KW

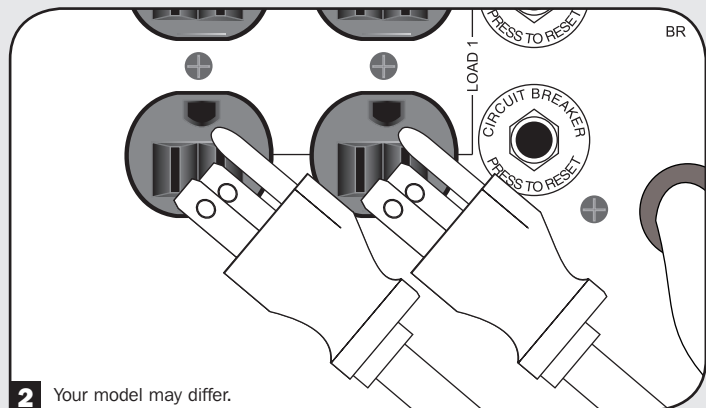
**If you're having trouble turning the UPS on, you may be pressing the ON button too long. Release the button "during" the beep (not after it stops).**

*Note: UPS system will function properly upon initial startup; however, maximum runtime for the unit's battery will only be accessible after it has been charged for 24 hours.*

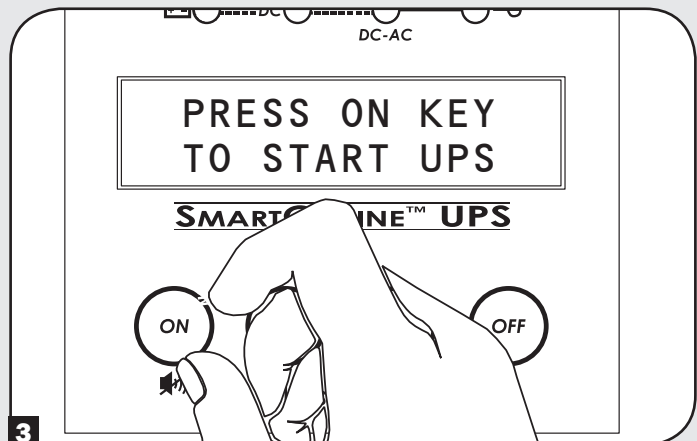
*Note: External battery pack options require configuration using front panel LCD interface or via Tripp Lite's EXTERNAL BATTERY CONFIGURATION software. See page 23 for more information if you are connecting external batteries to this UPS.*



1 Your model may differ.



2 Your model may differ.



# Basic Connection and Start-Up

## Optional Connections

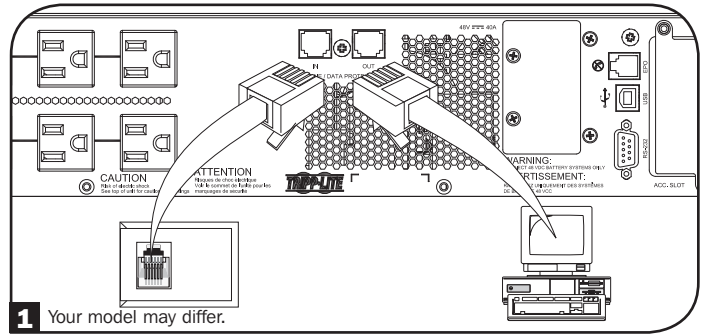
Your UPS will function properly without these connections.

### 1 Phone Line or Phone/Network Line Surge Suppression

Your UPS has jacks which protect against surges on a phone line. Select models feature jacks which also protect against surges on a network line.\* Using appropriate telephone or network cords connect your wall jack to the UPS jack marked "IN." Connect your equipment to the UPS jack marked "OUT." Make sure the equipment you connect to the UPS's jacks is also protected against surges on the AC line.

\* Not compatible with PoE (Power Over Ethernet) applications.

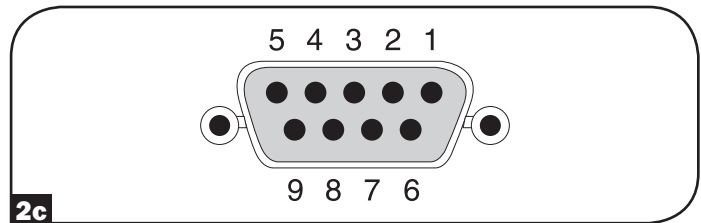
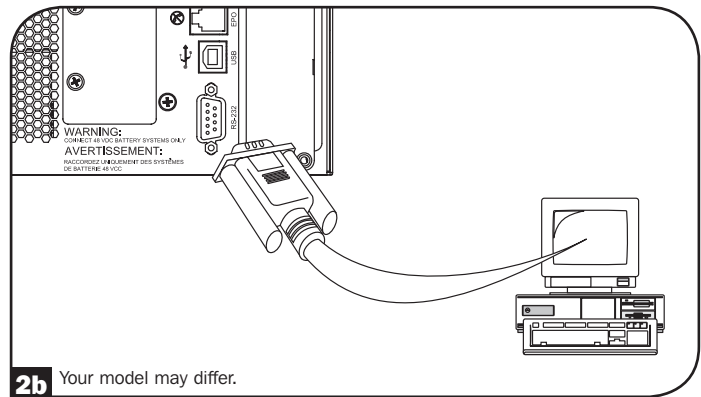
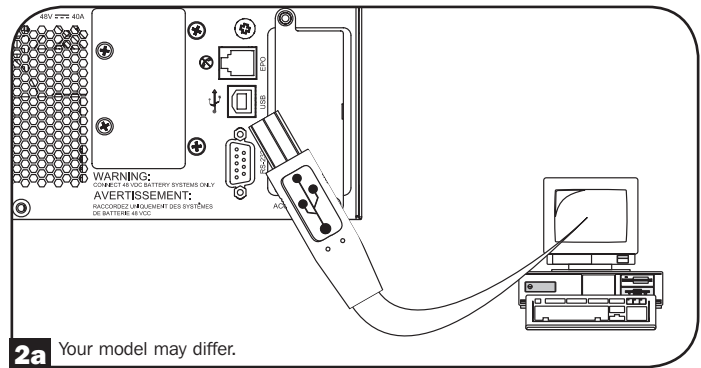
Note: Use the same type of connector for the phone line surge suppression input and output ports.



### 2 USB and RS-232 Serial Communications

Use the included USB cable (see 2a) and/or DB9 serial cable (see 2b) to connect the communication port of your computer to the communication port of your UPS. Install on your computer the Tripp Lite PowerAlert Software appropriate to your computer's operating system. Your UPS may feature additional communications ports; these ports may be connected to additional computers that have PowerAlert Software installed. Consult your PowerAlert manual for more information.

2c Dry contact communications are simple, but some knowledge of electronics is necessary to configure them. The DB9 port's pin assignments are shown in the diagram. If the UPS battery is low, the UPS sends a signal by bridging pins 1 and 5. If utility power fails, the UPS sends a signal by bridging pins 8 and 5. To shut the UPS down remotely, short pin 3 to pin 9 for at least 60 seconds.



## Basic Connection and Start-Up

### 3 EPO Port Connection

This optional feature is only for those applications that require connection to a facility's Emergency Power Off (EPO) circuit. When the UPS is connected to this circuit, it enables emergency shutdown of the UPS's inverter and inhibits transfer to internal bypass. Using the cable provided, connect the EPO port of your UPS (see **3a**) to a user-supplied normally closed or normally open switch according to the circuit diagram (see **3b**).

Note:

1. If using a cable other than what is supplied, the cable should not exceed 350 feet or have a resistance of greater than 10 ohms.
2. If a non-latching EPO switch is used, the EPO must be held for a minimum of 1 second. This does not apply to a latching EPO switch.

**CAUTION: The EPO port is not a phone line surge suppressor; do not connect a phone line to this port.**

UPS Unit State when asserting EPO with AC line present:

LEDs	Output	Fans	Serial	SNMP	USB	LCD Screen
OFF	OFF	ON	ON	ON	ON	"EMERGENCY POWER OFF"

To restart the UPS unit after asserting EPO with AC line present:

#### Option 1:

1. Verify that the EPO assertion has been removed or cleared.
2. Press ON button until unit beeps, then release.
3. UPS output will turn back on after it completes diagnostics.

#### Option 2:

1. Verify that the EPO assertion has been removed or cleared.
2. Remove AC line power to the UPS unit, wait until the LCD is completely off.
3. Reapply AC line power. Now the UPS will start back up in normal operation mode.

UPS Unit State when asserting EPO without AC line power:

LEDs	Output	Fans	Serial	SNMP	USB	LCD Screen
OFF	OFF	OFF	OFF	OFF	OFF	"EMERGENCY POWER OFF"

To restart the UPS unit after asserting EPO without AC line present:

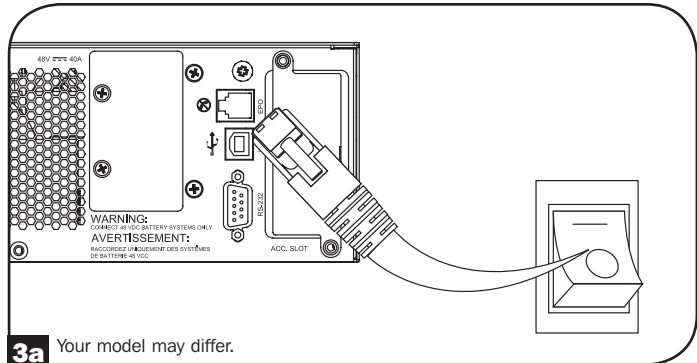
1. Verify that the EPO assertion has been removed or cleared.
2. Reapply AC line power to the UPS unit. Now the UPS will start back up in normal operation mode.

### 4 External Battery Connection

Check the *Unit Specific Accessories* section under *Overview* for compatible battery packs and maximum quantities for your UPS system. Ensure that your battery pack matches the voltage listed on your UPS battery connector. Adding external batteries will increase recharge time as well as runtime. See the battery pack owner's manual for complete installation and setup instructions. Make sure cables are fully inserted into their connectors. Small sparks may result during battery connection; this is normal. Do not connect or disconnect battery packs when the UPS is running on battery power.

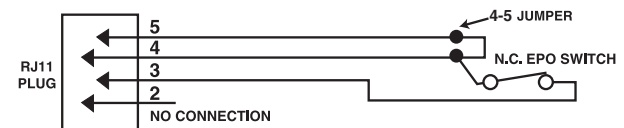
**IMPORTANT! To calibrate your UPS so that the runtime-remaining LCD and software information screens accurately predict runtime with external battery packs connected, see page 23 for more information if connecting external batteries to this UPS.**

**CAUTION: Do not open or mutilate batteries. Released material is harmful to the skin and eyes. It may be toxic. The following precautions should be observed when working on batteries: Determine if the battery is inadvertently grounded. If inadvertently grounded, remove the source from ground connection. Contact with any part of a grounded battery can result in electrical shock. The likelihood of such a shock can be reduced if grounds are removed during installation and maintenance. (This is applicable to equipment and remote battery supplies that do not have a grounded supply circuit.)**

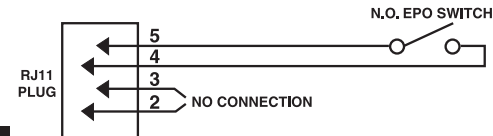


**3a** Your model may differ.

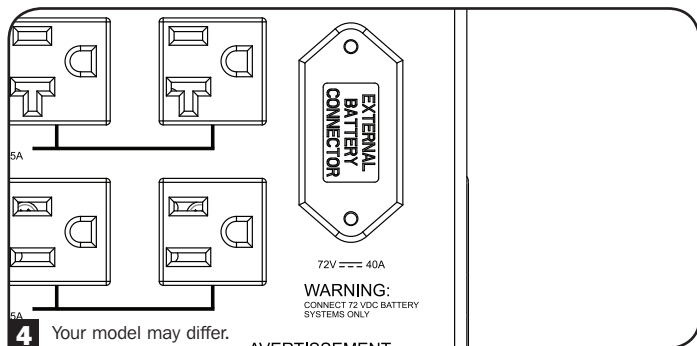
#### OPTION 1: USER SUPPLIED NORMALLY CLOSED SWITCH



#### OPTION 2: USER SUPPLIED NORMALLY OPEN SWITCH



**3b**



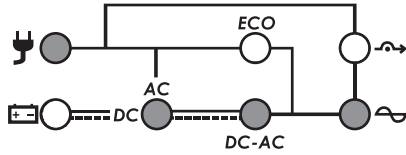
**4** Your model may differ.

# Operation

## Modes of Operation

### ON LINE MODE:

This is the standard operating mode for your UPS. In On-line mode, the UPS provides continuously regulated AC output and recharges the battery system as needed. If input power becomes unstable, the UPS will automatically maintain sine wave output from battery reserves.



ON LINE MODE  
LOAD=00% 0.00KW

**ON LINE MODE LEDs:** AC INPUT, AC/DC, DC/AC & OUTPUT LEDs on.

**ON LINE MODE LCD SCREEN:** Operating mode and UPS load information



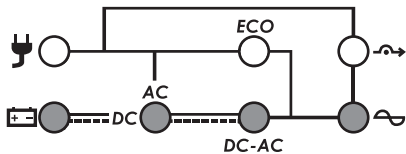
Note: A flashing INPUT LED indicates that input power is available, but is either not stable enough or of the wrong frequency to utilize in a bypass capacity.

### ON LINE MODE LCD VIEWING OPTIONS:

When first entering On Line mode, the LCD screen will display load information in percentage and kilowatt units. To display additional information screens, tap the SCROLL DOWN ("v") button repeatedly. Additional screens include: Kilowatt hour usage, Kilowatt capacity remaining, Runtime-remaining in minutes, Battery voltage and charge percentage, Output voltage and frequency, Input voltage and frequency, Load Power Factor and Load percentage plus kVA capacity.

### ON BATTERY MODE:

In this mode, the UPS is providing battery-derived sine wave AC output to connected equipment. Battery mode is an automatic response to power failure or extreme voltage fluctuation while the UPS is running in on-line or economy modes. The UPS can also be cold-started into Battery mode manually during a power failure by pressing and holding the ON/TEST button (see how-to section). The UPS will automatically return to on-line or economy modes once mains power is restored and stable. To silence the audible alarm, press the ON/MUTE button. The alarm will re-sound to warn of low battery conditions. As batteries become fully depleted, the UPS alarm will sound for 5 seconds continuously and AC output will turn off. The front panel LCD will display "OUTPUT OFF/BATTERY LOW" for up to 5 minutes before automatically turning off.



ON BATTERY  
LOAD=00% 0.00KW

**ON BATTERY MODE LEDs:** BATTERY, AC/DC, DC/AC & OUTPUT LEDs on.

**ON BATTERY MODE LCD SCREEN:** Operating mode and UPS load information

### ON BATTERY MODE LCD VIEWING OPTIONS:

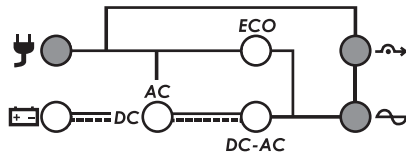
When first entering ON BATTERY mode, the LCD screen will display load information in percentage and kilowatt units. To display additional information screens, tap the SCROLL DOWN ("v") button repeatedly. Additional screens include: Kilowatt hour usage, Kilowatt capacity remaining, Runtime-remaining in minutes, Battery voltage and charge percentage, Output voltage and frequency, Input voltage and frequency, Load Power Factor and Load percentage plus kVA capacity.

### BYPASS MODE:

BYPASS is an operating mode where the UPS is passing unprocessed input power directly through to the output. BYPASS MODE can engage on an automatic basis (AUTO-BYPASS) or as an emergency UPS operating mode that maintains output to connected equipment in case of UPS overload or internal component failure that would otherwise cause connected equipment to lose power. AUTO-BYPASS MODE operation resulting from sudden UPS overload as the UPS is running in ON LINE MODE will automatically reset, once the output load is reduced. BYPASS MODE resulting from internal UPS failure may not automatically reset, and if the message persists, users should contact Tripp Lite for troubleshooting or repair options. Regardless of the cause, the UPS will not provide battery backup anytime the LCD screen reports BYPASS MODE.

BYPASS MODE is also displayed on the LCD display when the UPS is configured via the LCD STANDBY MODE screen to ENABLE BYPASS OUTPUT. Once this preference is set, the UPS will scroll BYPASS MODE with loading information and PRESS ON KEY TO TURN UPS ON. In this mode, the UPS is providing standby mode operation with power at the outputs and the charger is operational, but the UPS will not provide backup if power fails in this mode.

## Operation



**BYPASS MODE**  
LOAD=00% 0.00KW

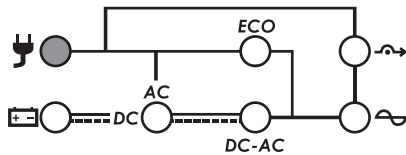
**BYPASS MODE LEDs:** INPUT, BYPASS (flashing) & OUTPUT LEDs on.

**BYPASS MODE LCD SCREEN:** Operating mode and UPS load information\*

\*Note: When bypass mode is set as a preference in the STANDBY MODE LCD screen, the BYPASS mode screen will alternate between BYPASS MODE with loading information and PRESS ON KEY TO TURN UPS ON.

### STANDBY MODE:

When first connected to a live power source, the UPS will automatically energize in Standby mode. The LCD panel will scroll "STANDBY MODE / PRESS ON KEY TO START UPS" and the charger will activate as necessary, but there is no UPS output or battery backup support available in this mode. To turn the UPS on for normal operation, press and hold the ON button until a beep is heard; the UPS will energize after a series of diagnostic tests are completed. To turn the UPS completely off from standby mode, just unplug the UPS from its power source; the UPS will report OFF WAITING and the fan and LCD screen will turn off after approximately 30 seconds.



**STANDBY MODE**  
LOAD=00% 0.00KW

**STANDBY MODE LEDs:** INPUT LED on.

**STANDBY MODE LCD SCREEN (2 messages, 2 sec. each):**

- STANDBY MODE and UPS load information
- PRESS ON KEY TO TURN ON UPS (Not Shown)



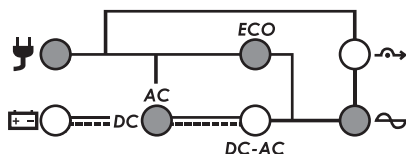
Note: A flashing INPUT LED indicates that input power is available, but is not stable enough to utilize. Pressing the ON button in standby mode while this LED is blinking will "cold start" the UPS into battery mode.

### STANDBY MODE LCD VIEWING OPTIONS:

When first entering STANDBY mode, the LCD screen will display load information in percentage and kilowatt units. To display additional information screens, tap the SCROLL DOWN ("v") button repeatedly. Additional screens include: Kilowatt hour usage, Kilowatt capacity remaining, Runtime-remaining in minutes, Battery voltage and charge percentage, Output voltage and frequency, Input voltage and frequency, Load Power Factor and Load percentage plus kVA capacity.

### ECONOMY MODE:

Economy mode refers to an optional UPS configuration for reduced power consumption and heat output. A UPS in economy mode reduces power consumption by suspending the double conversion [AC-to-DC / DC-to-AC] process whenever input power is already of high enough quality to pass through to connected equipment unchanged. The UPS will automatically switch back to on-line mode if input power quality deteriorates to ensure that connected equipment receives high quality power under all conditions. See LCD Set-Up section under Operation for configuration info.



**ECONOMY MODE**  
LOAD=00% 0.00KW

**ECONOMY MODE LEDs:** INPUT, AC/DC, ECO, OUTPUT LEDs on.

**ECONOMY MODE LCD SCREEN:** Operating mode and UPS load information

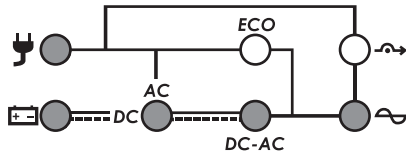
### ECONOMY MODE LCD VIEWING OPTIONS:

When first entering ECONOMY mode, the LCD screen will display load information in percentage and kilowatt units. To display additional information screens, tap the SCROLL DOWN ("v") button repeatedly. Additional screens include: Kilowatt hour usage, Kilowatt capacity remaining, Runtime-remaining in minutes, Battery voltage and charge percentage, Output voltage and frequency, Input voltage and frequency, Load Power Factor and Load percentage plus kVA capacity.

## Operation

### BATTERY TEST MODE:

To verify battery backup operation of your UPS, you can periodically perform a manual or programmed self-test of the UPS system. To manually initiate a self-test while the UPS is operating in On-Line or Economy mode, press the ON/MUTE switch until a beep is heard, then release. The UPS can be configured via the front panel LCD interface for no test, weekly or monthly self-test (factory default configuration: monthly). Self-test can also be initiated via PowerAlert software at user determined intervals (see PowerAlert software documentation for more information). When a self-test is run, the UPS will cycle to battery power for approximately 10 seconds and automatically switch back to AC mode. If a failure mode or low battery condition is encountered, UPS will report "BATTERY FAULT" alarm message and beep briefly once every two seconds. If the battery is okay, the display will return to the previous menu.



**BATTERY TEST**  
LOAD=00% 0.00KW

**BATTERY MODE LEDs:** INPUT, BATTERY, AC/DC, OUTPUT LEDs on.

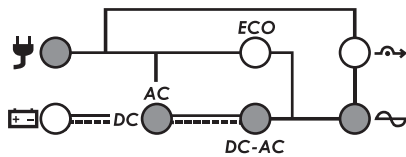
**BATTERY MODE LCD SCREEN:** BATTERY TEST and UPS load information

### BATTERY TEST MODE LCD VIEWING OPTIONS:

None—for the duration of the battery test the display will report output loading information.

### FREQ (FREQUENCY) CONVERTER MODE:

Your UPS is compatible with 100-127V nominal input voltage at either 50 or 60Hz. The UPS will automatically self-configure for 50Hz or 60 Hz operation based on utility power conditions at start-up and regulates output power within  $\pm 0.05$  Hz of the selected frequency. The UPS system also has an advanced setting that allows continuous frequency conversion from 50 Hz to 60 Hz or from 60 Hz to 50 Hz. The advanced frequency conversion setting is accessible through the LCD, the included PowerAlert software or the optional SNMPWEBCARD internal accessory card. When continuous frequency conversion is enabled, the maximum output capacity of the UPS system is derated by 30%. To set the UPS for frequency conversion, you'll need to adjust settings on two separate LCD configuration screens: OUTPUT FREQUENCY (select 50 or 60Hz) and FREQ CONVERTER (select enable or disable). See UPS SET-UP MENU operation section for instructions on setting these two options. When the UPS is running in FREQ CONVERTER mode, the INPUT LED will blink to indicate that both AUTOMATIC BYPASS and MANUAL BYPASS operations are not available (since bypass would allow the wrong frequency to pass through to connected equipment).



**FREQ CONVERTER**  
LOAD=00% 0.00KW

**FREQUENCY CONVERTER MODE LEDs:** INPUT (blinking), AC/DC, DC/AC and OUTPUT LEDs on.

**FREQ CONVERTER MODE LCD SCREEN:** "FREQ CONVERTER" and UPS load information

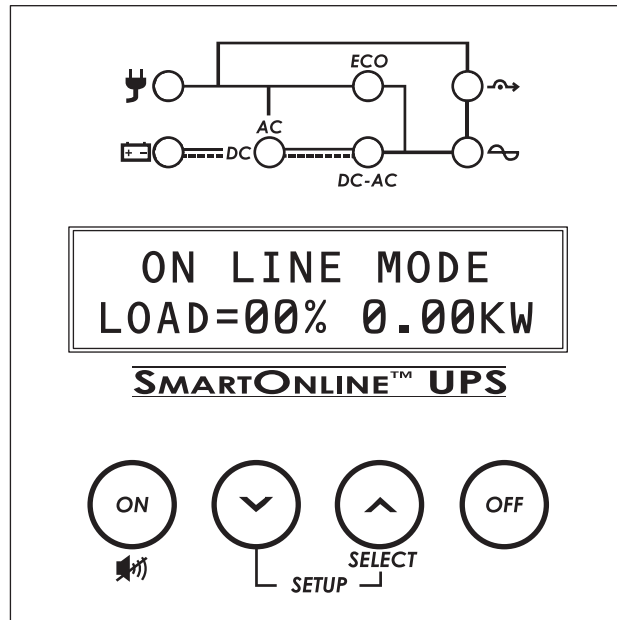
### FREQ CONVERTER MODE LCD VIEWING OPTIONS:

When first entering FREQUENCY CONVERTER MODE, the LCD screen will display load information in percentage and kilowatt units. To display additional information screens, tap the SCROLL DOWN ("v") button repeatedly. Additional screens include: Kilowatt hour usage, Kilowatt capacity remaining, Runtime-remaining in minutes, Battery voltage and charge percentage, Output voltage and frequency, Input voltage and frequency, Load Power Factor and Load percentage plus kVA capacity.

## Operation

### LCD Informational Screens

This UPS is configured with a two-row, 32-character LCD screen to offer detailed UPS status, control and configuration options.



In most display modes, the upper row of text continuously identifies the current operational mode. Supported modes are BYPASS, ON LINE, ON BATTERY, ECONOMY, FREQ (FREQUENCY) CONVERTER & STANDBY (See OPERATIONAL MODES section for more information on each operating mode).

The lower row of text identifies particular measurement values. To scroll between the seven available measurement screens, press the SELECT button repeatedly. The display can be “parked” on a particular value for full-time display while the UPS is running in that mode.

All nine data screens are available to be monitored from each of the six operating modes:

#### Operating Modes (Top Line)

1. ON LINE MODE
2. ON BATTERY MODE
3. ECONOMY MODE
4. STANDBY MODE
5. BYPASS MODE
6. FREQ CONVERTER

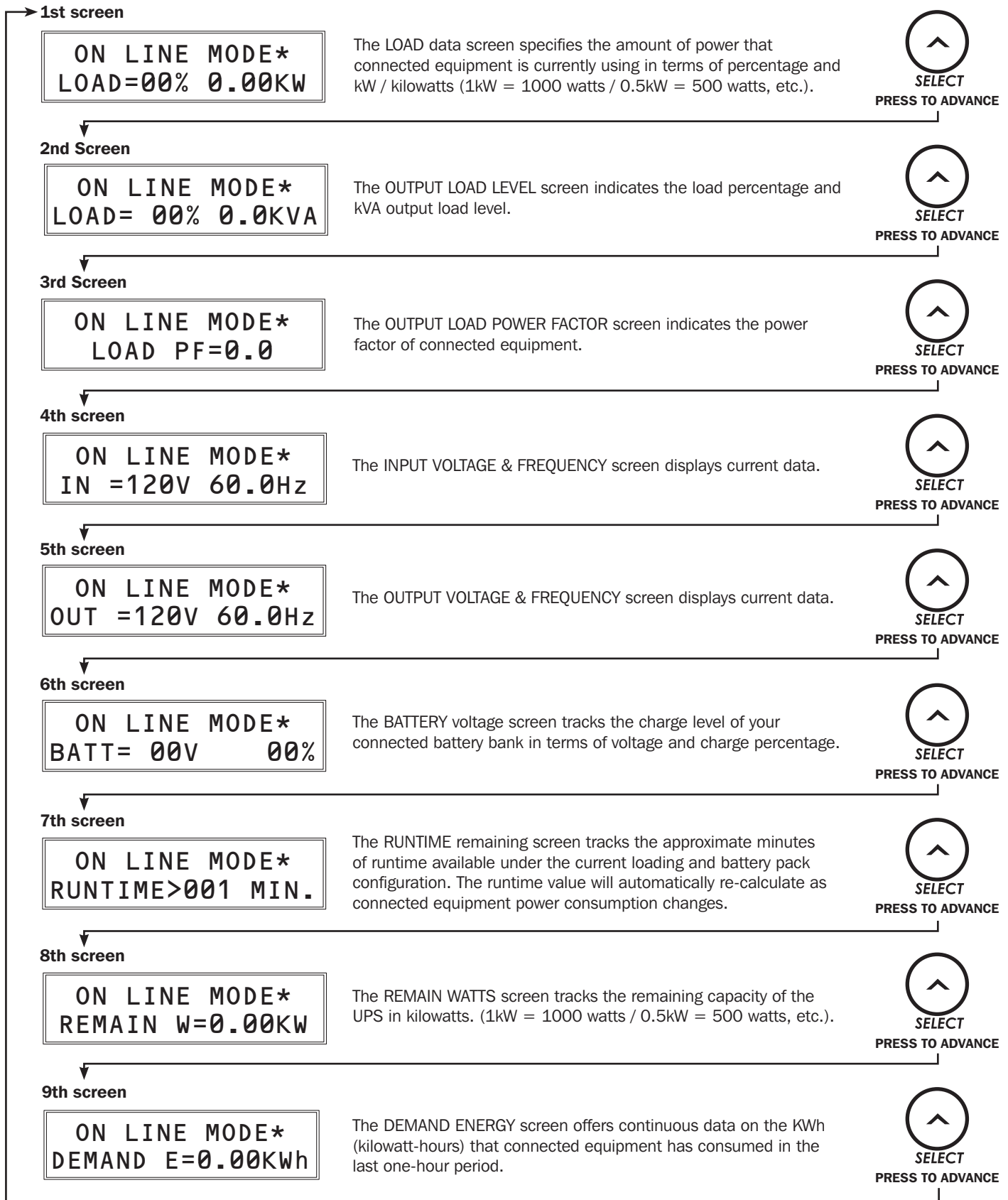
#### Data Screens (Second Line)

1. LOAD PERCENTAGE & LOAD KILOWATTS
2. OUTPUT LOAD PERCENTAGE & LOAD (KVA)
3. OUTPUT LOAD POWER FACTOR
4. INPUT VOLTAGE & FREQUENCY
5. OUTPUT VOLTAGE & FREQUENCY
6. BATTERY VOLTAGE & CAPACITY PERCENTAGE
7. ESTIMATED BATTERY RUNTIME (MINUTES)
8. REMAINING WATTS/CAPACITY
9. DEMAND ENERGY FOR LAST HOUR (KILOWATT/HOURS)



# Operation

## LCD Status & Supported Measurements



\* Set of 9 information screens are shown in ON LINE MODE, but can also be viewed from all 6 operating modes.

# Operation

## UPS Setup Overview

Your UPS supports a variety of advanced configuration options that can be set up via **PowerAlert software**, the **front panel LCD screen** and the **External Battery Configuration software**. Many of the configurations can be adjusted using more than one of these methods.

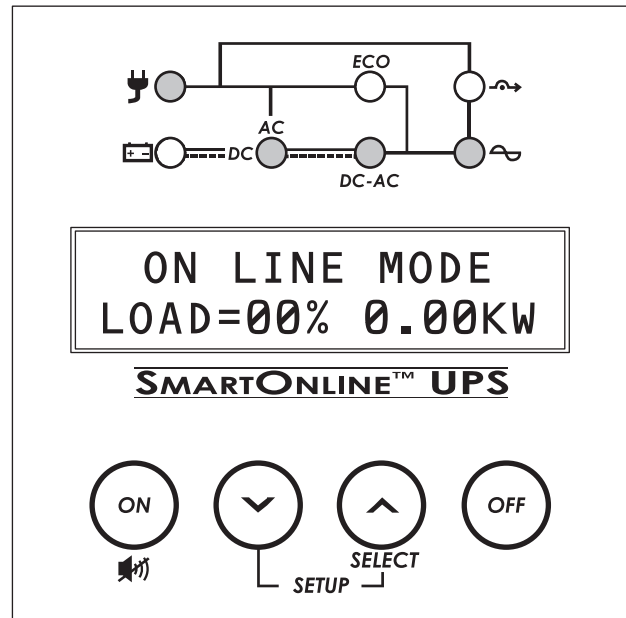
### 1. Using PowerAlert Software

PowerAlert software (included on CD or available as a free Web download on [www.tripplite.com](http://www.tripplite.com)) can be used to configure Economy Mode ON and OFF. The software also supports Economy Mode Operation scheduling, allowing you to set timers to engage and disengage Economy Mode.

### 2. Using the LCD Interface

This UPS supports a variety of user setup options and custom configurations that can be accessed via the front panel LCD screen. Configuration and information items include:

- |                        |                     |
|------------------------|---------------------|
| 1. Output Voltage      | 9. Economy Mode     |
| 2. Output Frequency    | 10. Cold Start      |
| 3. Bypass Range        | 11. Battery Test    |
| 4. Overload Alarm      | 12. External Batt   |
| 5. Shutdown After      | 13. Audible Alarm   |
| 6. Battery Save        | 14. Factory Default |
| 7. Standby Mode        | 15. Alarm History   |
| 8. Frequency Converter | 16. Information     |



To access these user options, enter the UPS SET-UP menu by pressing the SCROLL UP & SCROLL DOWN buttons simultaneously for at least 3 seconds. The screen will report UPS SET-UP on the upper row and EXIT ENTER on the bottom row. Enter the setup menu by pressing the button directly under the word "ENTER" in the LCD (the SCROLL UP button). In Set-Up mode, the second row will always identify the function of the two scroll buttons ("∨" & "∧"). When a value is "set" via the LCD, the display will show a "\*" immediately following the new value.

**Many LCD configuration items cannot be accessed in ON LINE, ON BATTERY, ECONOMY or FREQ CONVERTER mode. Turn off connected equipment and set the UPS to STANDBY MODE prior to entering the UPS SET-UP menu to gain access to all configuration items.**

Any time the UPS SET-UP menu is entered, you will need to scroll through all 16 functions until you see the UPS SET-UP ENTER / EXIT menu screen again and EXIT (∧) is pressed. You can then power-on the UPS and all changed menu items will take effect. Below, we will show the order of operations in the UPS Setup menu with a brief description of each configuration screen.

**If you feel you may have enabled, disabled or specified advanced set-up values that may not be ideal for your configuration, just reset to FACTORY DEFAULT to return all set-up items to the original factory configuration.**

*Note: Values in the LCD with an adjacent "\*" symbol reflect the current SET value for that attribute.*

# Operation

## UPS Setup Order of Operations

To access the UPS Setup screens, press both the SCROLL (∨) and SELECT (^) buttons simultaneously and hold for 3 seconds.

### 1 The OUTPUT VOLTAGE selection screen will appear.

OUTPUT VOLTAGE  
SCROLL SELECT



To Advance to the Next Screen:  
Press SCROLL (∨)

To Change This Setting:  
Press "SELECT" (^)  
*Note: The UPS must be in Standby Mode to change this setting.*

OUTPUT VOLTAGE refers to the nominal output voltage of the UPS. This value is most commonly set to match the prevailing country or region-specific nominal voltage. In general, use 120V for USA and Canada, 127V for Mexico and 100V for Japan. Additional values of 110 & 115V are also available. *Note: Certain voltage settings will cause automatic de-rating. See specifications on unit label for de-rating info.*

120V\*  
SCROLL SELECT

Press "SELECT" (^) to SET this value.  
Press "SCROLL" (∨) to advance to the next option.  
Available values are: 100, 110, 115, 120 & 127V

Press SCROLL (∨) to browse options and press SELECT (^) to SET.  
Factory default = 120V

### 2 The OUTPUT FREQUENCY selection screen will appear.

OUTPUT FREQUENCY  
SCROLL SELECT



To Advance to the Next Screen:  
Press SCROLL (∨)

To Change This Setting:  
Press "SELECT" (^)  
*Note: The UPS must be in Standby Mode to change this setting.*

OUTPUT FREQUENCY refers to the cycles-per-second (Hz) of UPS output power. This value is most commonly set to match the prevailing country or region-specific frequency. In general, in the USA, Canada and Mexico use the 60Hz factory setting. In 100-127V 50Hz locations, such as Jamaica, Antigua and parts of Japan, set the UPS to 50Hz. To successfully configure your UPS to convert frequency from 50-to-60Hz or 60-to-50Hz, set BOTH the OUTPUT FREQUENCY to the desired setting and enable this function by setting the FREQ CONVERSION to ENABLE.

60HZ\*  
SCROLL SELECT

Press "SELECT" (^) to SET this value.  
Press "SCROLL" (∨) to advance to the next option.  
Available values are: 60Hz, 50Hz

Scroll through available values and press SELECT (^) to SET.  
Factory default = 60Hz

### 3 The BYPASS RANGE selection screen will appear.

BYPASS RANGE  
SCROLL SELECT



To Advance to the Next Screen:  
Press SCROLL (∨)

To Change This Setting:  
Press "SELECT" (^)

BYPASS RANGE: When ECONOMY MODE is enabled, this UPS will allow line voltage that's already of sufficient quality pass through to connected equipment unchanged. The BYPASS RANGE control gives users the ability to control the amount of deviation from the selected nominal voltage before automatically turning back to on-line mode. The factory setting of WIDE is compatible with the vast majority of networking equipment. Using this control, users of even the most sensitive equipment can utilize the UPS in economy mode by selecting alternate preset values. Regardless of the "plus or minus" value entered, the highest bypass voltage available is 135V. The lowest bypass voltage available is 90V (full load) and 70V (<70% load). The "Wide" range reflects these same values (full load 90 to 135V / <70% load 70 to 135V).

WIDE\*  
SCROLL SELECT

Press "SELECT" (^) to SET this value.  
Press "SCROLL" (∨) to advance to the next option.  
Available values are: +/-5, 6, 7, 8, 9, 10, 11, 12, 13, 14, 15% & wide

Scroll through available values and press SELECT (^) to SET.  
Factory default = WIDE

Continued on page 20.

## Operation

### 4 The OVERLOAD ALARM selection screen will appear.

OVERLOAD ALARM  
SCROLL SELECT

OVERLOAD ALARM refers to the point at which the UPS will sound its' overload alarm. The factory setting of 105% will provide adequate overload warnings for most applications, but alternative values from 5% to the 105% default (in 5% intervals) are available for custom configurations.



To Advance to the Next Screen:  
Press SCROLL (v)

To Change This Setting:  
Press "SELECT" (^)

105%\*  
SCROLL SELECT

Press "SELECT" (^) to SET this value.  
Press "SCROLL" (v) to advance to the next option.  
Available values are: 5% to 105%  
(in 5% intervals)

Scroll through available values and press  
SELECT (^) to SET.  
Factory default = 105%

### 5 The SHUTDOWN AFTER selection screen will appear.

SHUTDOWN AFTER  
SCROLL SELECT

SHUTDOWN AFTER refers to the amount of runtime the UPS will provide in a power failure before turning off. The factory configuration of DISABLE is suitable for applications where the longest possible runtime is desired. In cases where a specific amount of runtime is needed (and no more), you can set the shutdown-after value to a specific number between 5 and 90 minutes (in 5 min. intervals), using this control.



To Advance to the Next Screen:  
Press SCROLL (v)

To Change This Setting:  
Press "SELECT" (^)

DISABLE\*  
SCROLL SELECT

Press "SELECT" (^) to SET this value.  
Press "SCROLL" (v) to advance to the next option.  
Available values are: 5 to 90 minutes  
(in 5 min. intervals)

Scroll through available values and press  
SELECT (^) to SET.  
Factory default = DISABLE

### 6 The BATTERY SAVE selection screen will appear.

BATTERY SAVE  
SCROLL SELECT

BATTERY SAVE option enables automatic UPS power-off in battery mode when there is no need for continued operation. This option prevents unnecessary battery discharge by shutting off UPS power once the load level falls below a user-selectable percentage for 10 continuous minutes. Settings are available to enable shutdown at load levels between 5% and 95% (in 5% increments). This feature is ideal for non-monitored UPS configurations where connected equipment consumes a significant amount of UPS capacity but is subsequently shutdown, or when devices are connected to a UPS but are not powered on to begin with, and thus require no battery backup. Users may determine the ideal percentage setpoint by monitoring the UPS LCD load level screen for typical power consumption in both operating and shutdown modes. For example, if your equipment normally consumes 40-100% UPS capacity while operational, but drops to 3% once it's shutdown, a BATTERY SAVE percentage setting of 5% would be ideal. Once connected equipment power consumption falls below the selected percentage for 10 continuous minutes, the UPS will turn off automatically, preventing unnecessary battery discharge. The factory default for this option is DISABLE.



To Advance to the Next Screen:  
Press SCROLL (v)

To Change This Setting:  
Press "SELECT" (^)

DISABLE\*  
SCROLL SELECT

Press "SELECT" (^) to SET this value.  
Press "SCROLL" (v) to advance to the next option.  
Available values are: 5% to 95% (in 5% intervals)

Scroll through available values and press  
SELECT (^) to SET.  
Factory default = DISABLE

Continued on page 21.

## Operation

### 7 The STANDBY MODE selection screen will appear.

STANDBY MODE  
SCROLL SELECT



To Advance to  
the Next Screen:  
Press SCROLL (v)

To Change This  
Setting:  
Press "SELECT" (^)  
*Note: The UPS must be  
in Standby Mode to  
change this setting.*

STANDBY MODE screen allows users to enable the UPS to provide output power when running in standby mode. The standby mode factory configuration is NO OUTPUT. In this configuration, the screen will scroll STANDBY MODE / PRESS ON KEY TO TURN UPS ON.

*Note: To enable bypass power output in standby mode, select BYPASS OUTPUT in the standby mode configuration screen. In this configuration, the screen will scroll BYPASS MODE / PRESS ON KEY TO TURN UPS ON.*

NO OUTPUT\*  
SCROLL SELECT

Press "SELECT" (^) to SET this value.  
Press "SCROLL" (v) to advance to the next option.  
Available values are: No output & Bypass output  
Scroll through available values and press  
SELECT (^) to SET.  
Factory default = NO OUTPUT

### 8 The FREQUENCY CONVERTER selection screen will appear.

FREQ CONVERTER  
SCROLL SELECT



To Advance to  
the Next Screen:  
Press SCROLL (v)

To Change This  
Setting:  
Press "SELECT" (^)  
*Note: The UPS must be  
in Standby Mode to  
change this setting.*

FREQUENCY CONVERTER refers to the ability of the UPS to convert 60Hz to 50Hz or 50Hz to 60Hz. The UPS system automatically selects 50 Hz or 60 Hz operation based on utility power conditions at start-up. The factory configuration of DISABLE is ideal for most applications. Some users may wish to convert frequency for connected equipment. To successfully configure your UPS for frequency conversion, ENABLE the FREQUENCY CONVERTER function and SET the OUTPUT FREQUENCY function to the desired 50 or 60 Hz setting.

DISABLE\*  
SCROLL SELECT

Press "SELECT" (^) to SET this value.  
Press "SCROLL" (v) to advance to the next option.  
Available values are: ENABLE, DISABLE  
Scroll through available values and press  
SELECT (^) to SET.  
Factory default = DISABLE

### 9 The ECONOMY MODE selection screen will appear.

ECONOMY MODE  
SCROLL SELECT



To Advance to  
the Next Screen:  
Press SCROLL (v)

To Change This  
Setting:  
Press "SELECT" (^)

ECONOMY MODE is a UPS setting that enables enhanced efficiency and reduced BTU output by suspending double-conversion circuits whenever input power is already of sufficient quality to run connected equipment. In economy mode, the UPS consults the current BYPASS RANGE setting (+/-5% to 10%). When input voltage strays pass the selected percentage preset, the UPS will automatically switch to on-line mode. When input voltage falls back within bypass range settings the UPS will automatically return to economy mode. *Note: The suggested setting range is +/- 5% to +/- 10%.*

DISABLE\*  
SCROLL SELECT

Press "SELECT" (^) to SET this value.  
Press "SCROLL" (v) to advance to the next option.  
Available values are: ENABLE, DISABLE  
Scroll through available values and press  
SELECT (^) to SET.  
Factory default = DISABLE

Continued on page 22.

## Operation

### 10 The COLD START selection screen will appear.

COLD START  
SCROLL SELECT



**To Advance to the Next Screen:**

Press SCROLL (v)

**To Change This Setting:**

Press "SELECT" (^)

*Note: The UPS must be in BATTERY MODE to access COLD START DISABLE.*

COLD START refers to the ability of a UPS to be turned on in battery mode for temporary operation during a power failure. To cold start your UPS, press and hold the ON button until a beep is heard, then release. COLD START DISABLE is available on a one-time basis to prevent unintended startup while the UPS is in storage or transit. Once COLD START is set to DISABLE, the UPS cannot be cold started again until it is next connected to an outlet with valid AC output. To DISABLE COLD START for shipping or storage, enter the UPS SETUP menu when the UPS is running in BATTERY MODE and select DISABLE (the cold start option cannot be disabled in other modes). Next, press and hold the OFF button and package the UPS for shipment and storage.

*Note: COLD START DISABLE cannot be set when the UPS is connected to a live AC receptacle. If COLD START DISABLE is attempted when the UPS is connected to live AC input, the LCD screen will report "WILL BE ENABLED WITH VALID AC" to confirm that the setting has not been accepted. If COLD START DISABLE is selected as the UPS runs in BATTERY MODE, the UPS will accept the DISABLE setting and automatically reset to ENABLE cold start the next time valid AC input voltage is detected.*

ENABLE\*  
SCROLL SELECT

Press "SELECT" (^) to SET this value.

Press "SCROLL" (v) to advance to the next option.

Available values are: ENABLE, DISABLE

Scroll through available values and press SELECT (^) to SET.

Factory default = DISABLE

### 11 The BATTERY TEST selection screen will appear.

BATTERY TEST  
SCROLL SELECT



**To Advance to the Next Screen:**

Press SCROLL (v)

**To Change This Setting:**

Press "SELECT" (^)

BATTERY TEST refers the ability of the UPS to perform regular self-tests of the battery system. During BATTERY TEST operation, the UPS will momentarily cycle to Battery Mode and alert users of potential UPS operational or battery-related fault conditions. The factory configuration of MONTHLY is ideal for most applications. Options for WEEKLY and DISABLE settings are also available.

MONTHLY\*  
SCROLL SELECT

Press "SELECT" (^) to SET this value.

Press "SCROLL" (v) to advance to the next option.

Available values are: WEEKLY, MONTHLY, NO TEST

Scroll through available values and press SELECT (^) to SET.

Factory default = MONTHLY

### 12 The EXTERNAL BATTERY TYPE selection screen will appear.

EXTERNAL BATT  
SCROLL SELECT



Continued on page 23.

EXTERNAL BATTERY TYPE refers to the ability for the UPS to become aware of which external battery pack is connected to enhance accuracy of the MINUTES RUNTIME countdown during a power failure. The LCD interface supports the addition of a single external battery pack by selecting the part number of the battery system using the LCD screen. Your UPS system can also be configured for additional battery pack models or multiple battery packs when supported, but these configurations require the use of EXTERNAL BATTERY CONFIGURATION TOOL software available in the support section of <http://www.tripplite.com/bpconfig>.

# Operation

**To Advance to the Next Screen:**  
Press SCROLL (↵)

**To Change This Setting:**  
Press "SELECT" (^)

**NO BP\***  
**SCROLL SELECT**

Press "SELECT" (^) to SET this value.  
Press "SCROLL" (↵) to advance to the next option.  
Available values are:

UPS MODEL	Factory Default	Configure via LCD		Configuration via EXTERNAL BATTERY CONFIGURATION TOOL software
		Battery pack option 1	Battery pack option 2	Battery pack option 3 (BP TOOL on LCD display)
SU750RTXLCD2U	NO BP	BP24V15RT2U	BP24V28-2U	BP24V70RT3U (for any number)
SU1000RTXLCD2U	NO BP	BP24V15RT2U	BP24V28-2U	BP24V70RT3U (for any number)
SU1500RTXLCD2U	NO BP	BP48V24-2U	BP48V60RT3U	BP48V60RT3U (for more than 1)
SU2200RTXLCD2U	NO BP	BP48V24-2U	BP48V60RT3U	BP48V60RT3U (for more than 1)
SU3000RTXLCD3U	NO BP	BP72V15-2U	BP72V28RT-3U	BP72V28RT3U (for more than 1)

Scroll through available values and press SELECT (^) to SET.  
Factory default = NO BP

If you're planning on using your UPS with the additional supported battery pack option listed above as battery pack option 3, EXTERNAL BATTERY CONFIGURATION TOOL software is required. After the EXTERNAL BATTERY CONFIGURATION TOOL software is used, the UPS will display the resulting configuration as "BP TOOL" on the LCD screen. BP TOOL is present as an LCD viewable option, but is itself not selectable (if BP TOOL selection is attempted, the screen will report "READ ONLY. SELECT BY BP TOOL" to confirm the selection has not been accepted). EXTERNAL BATTERY CONFIGURATION TOOL software is a Windows only application and requires a serial cable connection to the UPS in order to run. Visit <http://www.tripplite.com/bpconfig> to download the software.

Battery Pack Models That Require Use of EXTERNAL BATTERY CONFIGURATION TOOL Software:

UPS MODEL	BATTERY PACK MODEL
SU750RTXLCD2U	BP24V70RT3U (for any number)
SU1000RTXLCD2U	BP24V70RT3U (for any number)
SU1500RTXLCD2U	BP48V60RT3U (for more than 1)
SU2200RTXLCD2U	BP48V60RT3U (for more than 1)
SU3000RTXLCD3U	BP72V28RT3U (for more than 1)

## 13 The FACTORY DEFAULT selection screen will appear.

**FACTORY DEFAULT**  
**SCROLL SELECT**



**To Advance to the Next Screen:**  
Press SCROLL (↵)

**To Change This Setting:**  
Press "SELECT" (^)

*Note: The UPS must be in Standby Mode to change this setting.*

**Continued on page 24.**

FACTORY DEFAULT gives users a quick and easy way to return the UPS to its' original factory configuration. When selecting YES to FACTORY DEFAULT in the LCD Set-Up screens, the UPS will immediately revert to the original shipping configuration and set of presets.

Running a FACTORY DEFAULT will restore these factory settings:

OUTPUT VOLTAGE = 120	ECONOMY MODE = DISABLE
OUTPUT FREQUENCY = 60Hz	COLD START = ENABLE
BYPASS RANGE = WIDE	BATTERY TEST = MONTHLY
OVERLOAD ALARM = 105%	EXTERNAL BATT = NO BP
SHUTDOWN AFTER = DISABLE	FACTORY DEFAULT = YES
BATTERY SAVE = DISABLE	AUDIBLE ALARM = ENABLE
STANDBY MODE = NO OUTPUT	ALARM HISTORY = ALL MESSAGES CLEARED
FREQ CONVERTER = DISABLE	INFORMATION = NO CHANGE

**NO**  
**SCROLL SELECT**

Press "SELECT" (^) to SET this value.  
Press "SCROLL" (↵) to advance to the next option.  
Available values are: NO, YES

Scroll through available values and press SELECT (^) to SET.  
Factory default = None

## Operation

### 14 The AUDIBLE ALARM selection screen will appear.

AUDIBLE ALARM  
SCROLL SELECT



To Advance to  
the Next Screen:  
Press SCROLL (v)

To Change This  
Setting:  
Press "SELECT" (^)

The AUDIBLE ALARM screen gives the user the ability to permanently enable or disable the UPS's audible alarm in case of an alarm event. The factory configuration of ENABLE is ideal for most applications. Certain applications may require the alarm to be disabled, in which case the option of DISABLE can be selected.

ENABLE\*  
SCROLL SELECT

Press SELECT (^) to SET this value.  
Press SCROLL (v) to advance to the next option.  
Available values are: ENABLE, DISABLE  
Scroll through available values and press  
SELECT (^) to SET.  
Factory Default: ENABLE

### 15 The ALARM HISTORY selection screen will appear.

ALARM HISTORY  
SCROLL SELECT



To Advance to  
the Next Screen:  
Press SCROLL (v)

To Change This  
Setting:  
Press "SELECT" (^)

ALARM HISTORY displays up to 5 alarm events. Possible alarms include CHARGER FAULT, FAN FAULT, OVER TEMP, +/-DC BUS HIGH/LOW, BUS OVP, INVERTER FAULT, BATTERY FAULT, DC-DC FAULT, OVERLOAD, O/P SHORT, NO BATTERY, SITE WIRE FAULT, BYPASS VOLT BAD, BYPASS FREQ BAD, INPUT OVERCURRENT, and BATTERY LOW.

1: OVERLOAD  
SCROLL SELECT

Press "SELECT" (^) to SET this value.  
Press "SCROLL" (v) to advance to the next option.  
Available values are: ALARM HISTORY 1-5 &  
ERASE  
Scroll through available values and press  
SELECT (^) to SET

### 16 The INFORMATION screen will appear.

INFORMATION  
SCROLL SELECT



To Advance to  
the Next Screen:  
Press SCROLL (v)

To Change This  
Setting:  
Press "SELECT" (^)

INFORMATION refers to a series of 3 information screens that are viewable via the LCD interface: Firmware version, UPS serial number and SNMP IP address. These values are for viewing only and cannot be modified via the LCD interface

FW VER: FW#####  
SCROLL SELECT

Press "SELECT" (^) to EXIT this section.  
Press "SCROLL" (v) to advance to the next  
information screen.  
Available Information: FIRMWARE VERSION,  
UPS SERIAL #, SNMP IP ADDRESS  
Scroll through available values and press  
SELECT (^) to EXIT.

### 17 The ORIGINAL UPS SET-UP EXIT/ENTER screen will appear.

UPS SET-UP  
EXIT ENTER



Press EXIT (v) to exit the UPS SET-UP section.

Press "ENTER" (^) to re-enter UPS SET-UP screens.



## Troubleshooting

See the chart below for explanation of error codes that appear in the ALARM HISTORY of the UPS SETUP LCD Screen, as well as suggested solutions for each error.

LCD Display	Description	Solution
<b>OVERLOAD</b>	The load exceeds UPS capacity.	Reduce the connected load.
<b>O/P SHORT</b>	UPS's output is shorted.	Remove the cause of the short circuit from the UPS's output.
<b>NO BATTERY</b>	Battery is not connected to UPS.	Check the connection of the internal battery
<b>SITE WIRING FAULT</b>	The connection of utility line is not correct.	Check the utility line for wiring problems such as reversed line and a neutral or missing ground.
<b>BATTERY FAULT</b>	The UPS will report a BATTERY FAULT if it finds the batteries to be weak after performing a self-test.	Let the UPS system charge for at least 12 hours and perform battery test using the ON/MUTE button as described in the Features section. If the second test also results in a BATTERY FAULT message, replace the batteries and/or contact Tripp Lite for assistance. <i>Note: BATTERY FAULT is always accompanied by an audible alarm that beeps at 2-second intervals.</i>
<b>OVER TEMP</b>	The inside temperature of the UPS is higher than the limit.	Check the UPS to be sure that there is adequate space for air to circulate near the vents and that the fan is working properly. Ensure that the UPS is in a 0-40°C / 32-104°F environment.
<b>CHARGER FAULT</b>	There are problems with the charger circuit.	If the problem persists, contact Tripp Lite for assistance.
<b>FAN FAULT</b>	There are problems with the fan.	Check if there any material to stop the rotating of the fan. Remove the material. If the problem persists, contact Tripp Lite for assistance.
<b>+/-DC BUS HIGH/LOW</b>	The internal DC bus voltage is too high or too low.	If the problem persists, contact Tripp Lite for assistance.
<b>BUS OVP</b>	The internal DC bus voltage is too high.	If the problem persists, contact Tripp Lite for assistance.
<b>INVERT FAULT</b>	There are problems with the inverter circuit.	If the problem persists, contact Tripp Lite for assistance.
<b>DC-DC FAULT</b>	There are problems with the DC-DC converter circuit.	If the problem persists, contact Tripp Lite for assistance.
<b>I/P OVER CURRENT</b>	There are issues with the PFC or INV circuit.	If the problem persists, contact Tripp Lite for assistance.

# Internal Battery Replacement

**Battery Replacement Door:** Under normal conditions, the original battery in your UPS will last several years. Battery replacement should be performed only by qualified service personnel. Refer to “Battery Warnings” in the Safety section. If you require a replacement battery, you can find it at [www.tripplite.com/support/battery/index.cfm](http://www.tripplite.com/support/battery/index.cfm). See the chart below to find the right replacement battery for your UPS system:

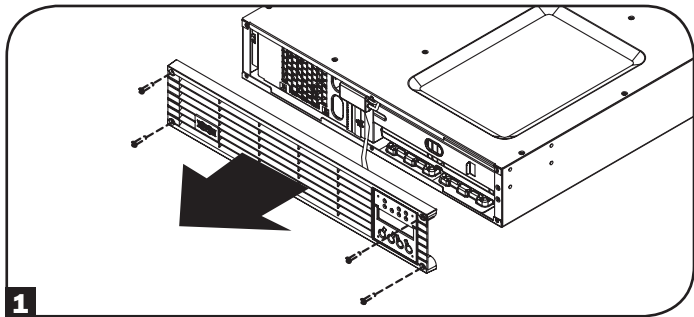
UPS Model	Replacement Battery Cartridge
SU750RTLCD2U	RBC24V-LCD
SU1000RTLCD2U	RBC24V-LCD
SU1500RTLCD2U	RBC94-2U
SU2200RTLCD2U	RBC94-2U
SU3000RTLCD3U	RBC96-3U

See the following diagrams for battery removal and installation procedures.

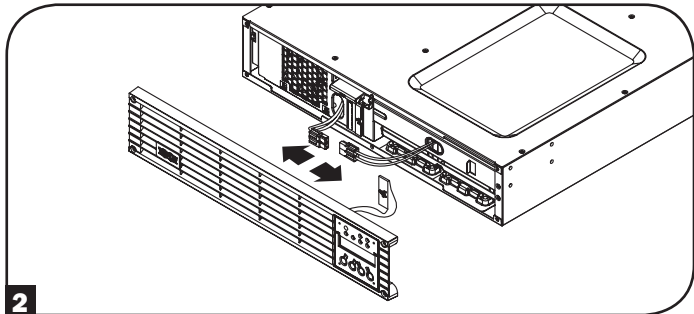
## 2U Models

*Note: The SU1500RTLCD2U is shown, but the procedure is the same for all other 2U units.*

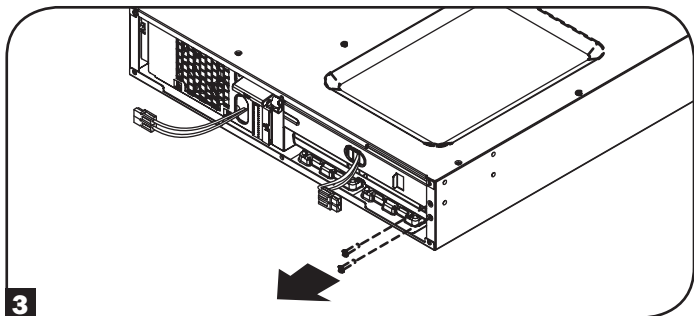
- 1 Remove the 4 front screws from the front panel and remove. Unplug the LCD connectors to remove it completely.



- 2 Flip open the white connector holder. Disconnect the connector that's inside the white connector holder.



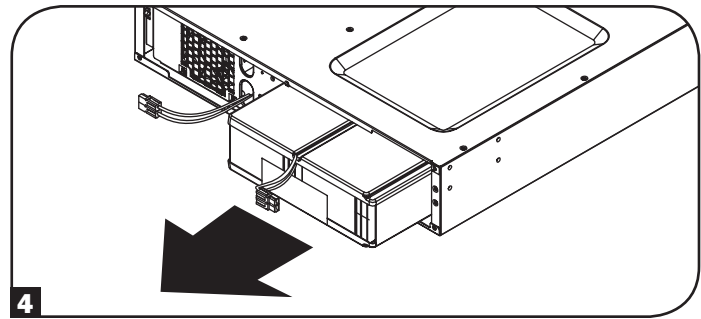
- 3 Remove the two screws that hold the metal bar in place (behind the front panel on the right side). Slide the metal bar to the left and remove it from the UPS.



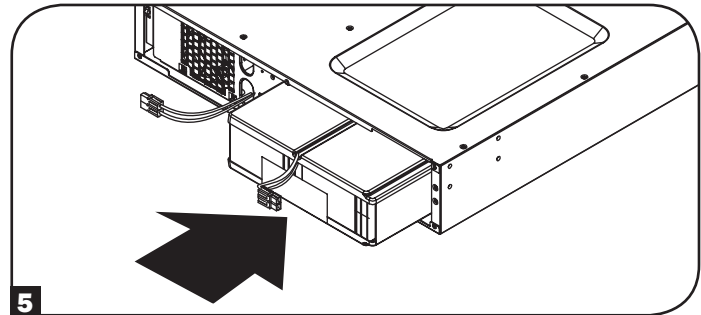
## Internal Battery Replacement

- 4** Remove the batteries using the pull-tab.

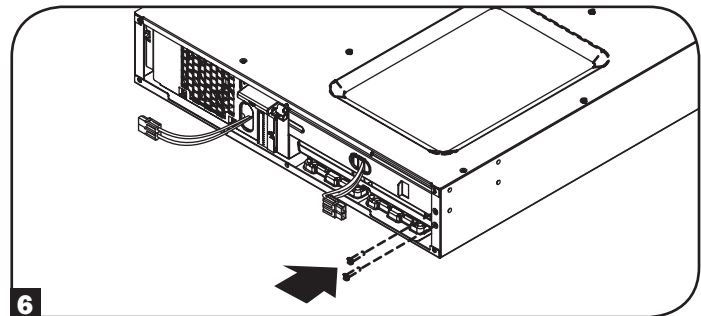
*Note: Please memorize the original battery position and orientation to ensure you install the new batteries correctly.*



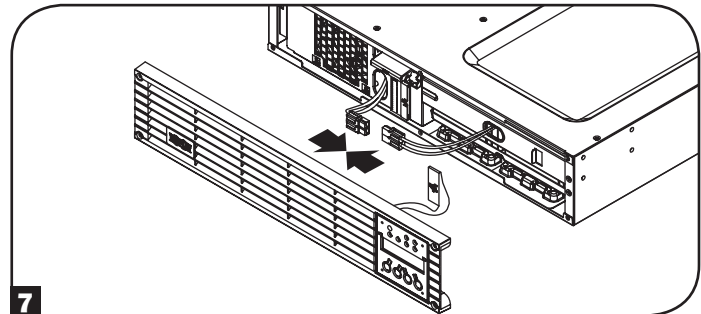
- 5** Insert the new battery set into the UPS in the same position as the original set.



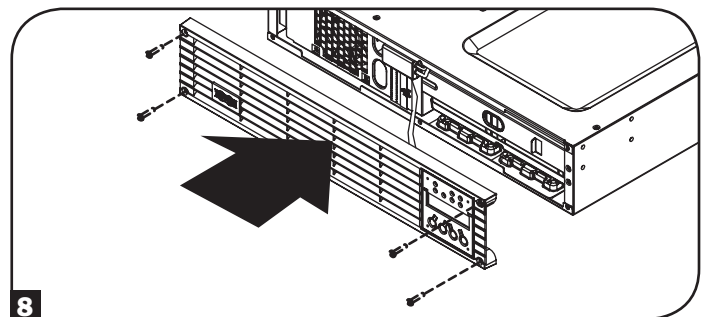
- 6** Replace the metal bar. Replace the two screws on the right side that hold the metal bar in place.



- 7** Reconnect the DC connector (red-to-red, black-to-black) and flip the white connector holder closed.



- 8** Re-attach the LCD screen connector on the bezel. Replace the 4 front screws to secure the bezel.

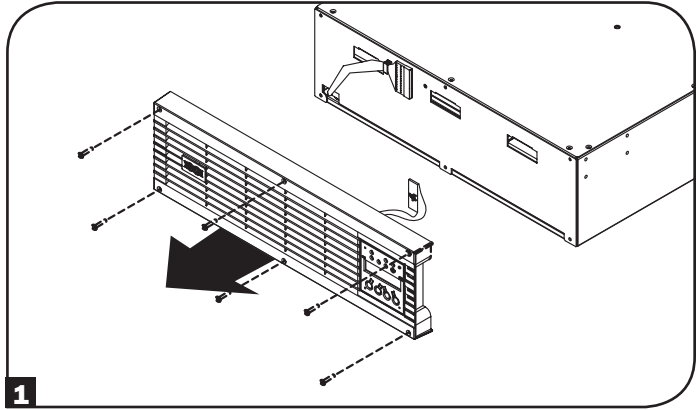


# Internal Battery Replacement

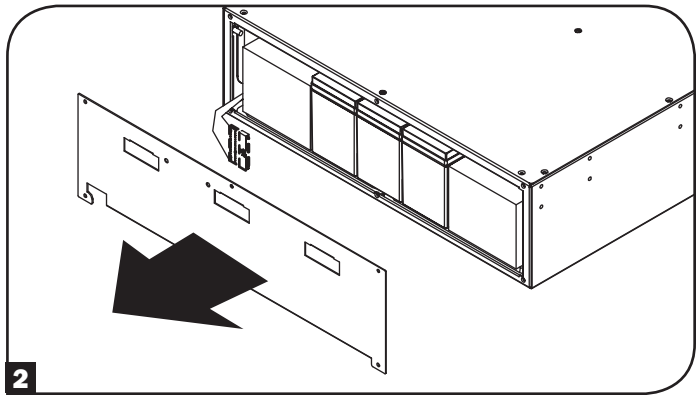
## 3U Models

*Note: Battery configuration on the 3U models is more complex, and it is recommended that only qualified service personnel perform this operation.*

- 1** Remove the 6 front screws from the front panel and remove. Unplug the LCD connectors to remove it completely.

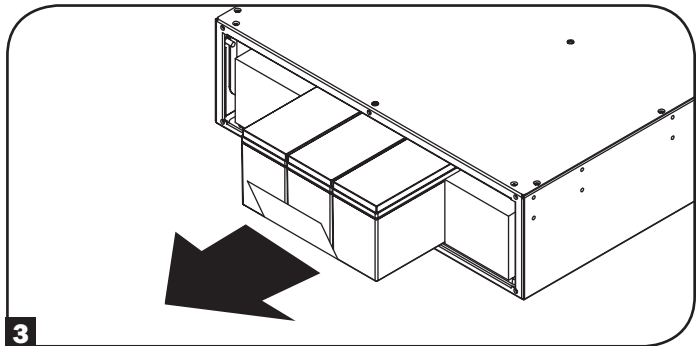


- 2** Remove the metal plate immediately behind the front panel.



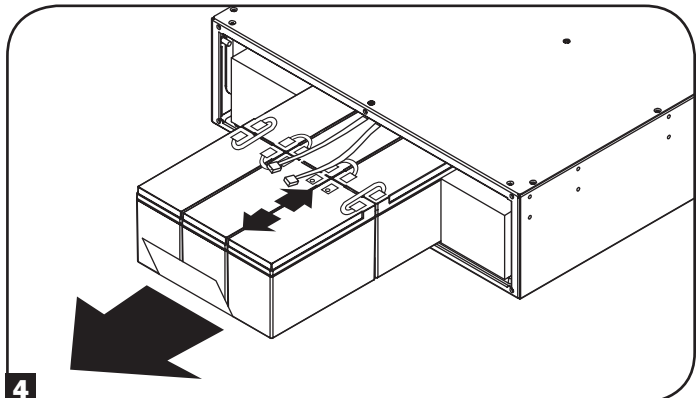
- 3** Use the pull-tab to pull the set of batteries toward you.

*Note: Please memorize the original battery position and orientation to ensure you install the new batteries correctly.*



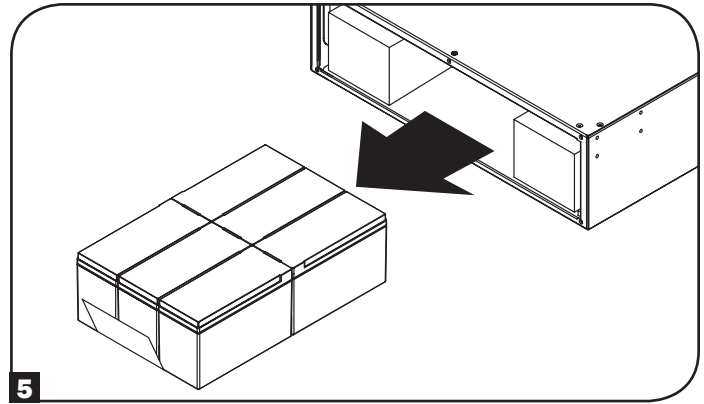
- 4** Disconnect both the red and black connectors that connect to the batteries from the rear of the UPS.

*Note: There are other sets of cords connecting the batteries to other batteries in the set, but the connectors that connect the set of batteries to the UPS system are the ones that need to be disconnected for battery replacement.*

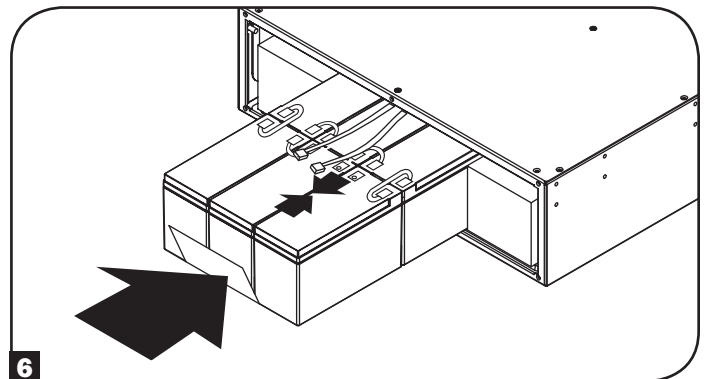


## Internal Battery Replacement

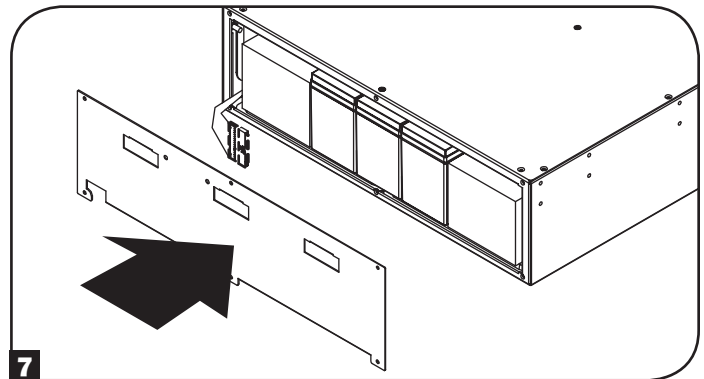
**5** Remove the batteries completely using the pull-tab.



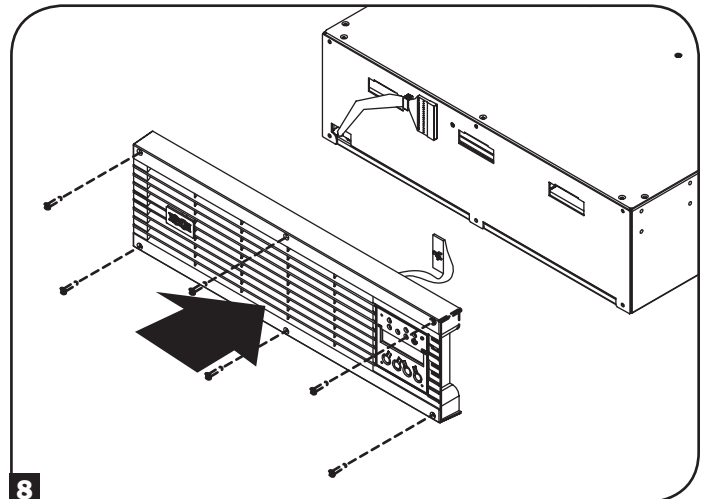
**6** Insert the new battery set into the UPS in the same position as the original set. Reconnect the red and black cords to the new battery set.



**7** Replace the metal plate.



**8** Re-attach the LCD screen connector on the front panel. Replace the 6 front screws to secure the front panel.



## Storage and Service

### Storage

First turn your UPS OFF: press the "OFF" switch to turn power off at the UPS outlets, then disconnect the power cord from the wall outlet. Next, disconnect all equipment to avoid battery drain. If you plan on storing your UPS for an extended period of time, fully recharge the UPS batteries once every three months by plugging the UPS into a live AC outlet and letting the UPS charge for 4-6 hours. If you leave your UPS batteries discharged for an extended period of time, they may suffer permanent loss of capacity.

### Service

A variety of Extended Warranty and On-Site Service Programs are also available from Tripp Lite. For more information on service, visit [www.tripplite.com/support](http://www.tripplite.com/support). Before returning your product for service, follow these steps:

1. Review the installation and operation procedures in this manual to insure that the service problem does not originate from a misreading of the instructions.
2. If the problem continues, do not contact or return the product to the dealer. Instead, visit [www.tripplite.com/support](http://www.tripplite.com/support).
3. If the problem requires service, visit [www.tripplite.com/support](http://www.tripplite.com/support) and click the Product Returns link. From here you can request a Returned Material Authorization (RMA) number, which is required for service. This simple on-line form will ask for your unit's model and serial numbers, along with other general purchaser information. The RMA number, along with shipping instructions will be emailed to you. Any damages (direct, indirect, special or consequential) to the product incurred during shipment to Tripp Lite or an authorized Tripp Lite service center is not covered under warranty. Products shipped to Tripp Lite or an authorized Tripp Lite service center must have transportation charges prepaid. Mark the RMA number on the outside of the package. If the product is within its warranty period, enclose a copy of your sales receipt. Return the product for service using an insured carrier to the address given to you when you request the RMA.

## Warranty Registration

Visit [www.tripplite.com/warranty](http://www.tripplite.com/warranty) today to register the warranty for your new Tripp Lite product. You'll be automatically entered into a drawing for a chance to win a FREE Tripp Lite product! \* \* No purchase necessary. Void where prohibited. Some restrictions apply. See website for details.

**Regulatory Compliance Identification Numbers:** For the purpose of regulatory compliance certifications and identification, your Tripp Lite product has been assigned a unique series number. The series number can be found on the product nameplate label, along with all required approval markings and information. When requesting compliance information for this product, always refer to the series number. The series number should not be confused with the marking name or model number of the product.

#### FCC Specifications for Models with FCC Class A Approval:

This device complies with part 15 of the FCC Rules. Operation is subject to the following two conditions: (1) This device may not cause harmful interference, and (2) this device must accept any interference received, including interference that may cause undesired operation.

Note: This equipment has been tested and found to comply with the limits for a Class A digital device, pursuant to part 15 of the FCC Rules. These limits are designed to provide reasonable protection against harmful interference when the equipment is operated in a commercial environment. This equipment generates, uses, and can radiate radio frequency energy and, if not installed and used in accordance with the instruction manual, may cause harmful interference to radio communications. Operation of this equipment in a residential area is likely to cause harmful interference in which case the user will be required to correct the interference at his own expense. The user must use shielded cables and connectors with this equipment. Any changes or modifications to this equipment not expressly approved by Tripp Lite could void the user's authority to operate this equipment.

#### FCC Part 68 Notice (United States Only)

If your Modem/Fax Protection causes harm to the telephone network, the telephone company may temporarily discontinue your service. If possible, they will notify you in advance. If advance notice isn't practical, you will be notified as soon as possible. You will be advised of your right to file a complaint with the FCC. Your telephone company may make changes in its facilities, equipment, operations or procedures that could affect the proper operation of your equipment. If it does, you will be given advance notice to give you an opportunity to maintain uninterrupted service. If you experience trouble with this equipment's Modem/Fax Protection, please visit [www.tripplite.com/support](http://www.tripplite.com/support) for repair/warranty information. The telephone company may ask you to disconnect this equipment from the network until the problem has been corrected or you are sure the equipment is not malfunctioning. There are no repairs that can be made by the customer to the Modem/Fax Protection. This equipment may not be used on coin service provided by the telephone company. Connection to party lines is subject to state tariffs. (Contact your state public utility commission or corporation commission for information.)

The policy of Tripp Lite is one of continuous improvement. Specifications are subject to change without notice.



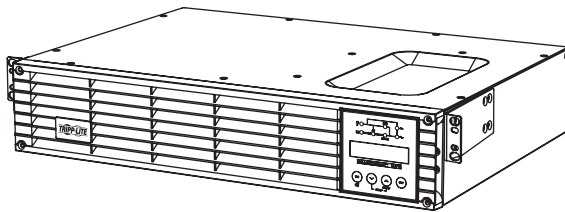
1111 W. 35th Street, Chicago, IL 60609 USA • [www.tripplite.com/support](http://www.tripplite.com/support)

# Manual del Propietario

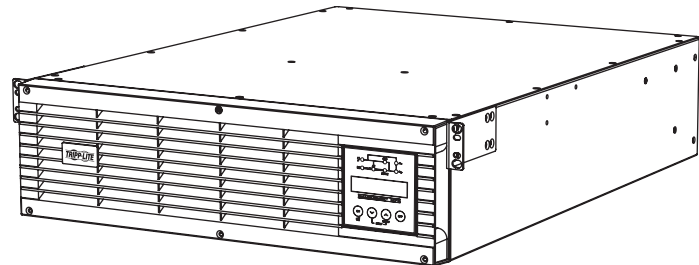
## SmartOnline™

### Sistemas UPS Monofásicos, en Línea para Instalación en Rack con Pantalla LCD Integrada para Monitoreo y Control

No adecuado para aplicaciones móviles.



SU750RTXLCD2U  
SU1000RTXLCD2U  
SU1500RTXLCD2U  
SU2200RTXLCD2U



SU3000RTXLCD3U

Guía de  
Inicio Rápido  
Página 40

<b>1. Descripción General</b>	<b>32</b>	<b>6. Operación</b>	<b>43</b>
Lista de Partes	32	Modos de Operación	43
Opciones de Accesorios Adicionales	32	Pantallas Informativas del LCD	46
Accesorios Específicos por Modelo	32	Vista General de Configuración de UPS	48
<b>2. Instrucciones de Seguridad</b>	<b>33</b>	Uso de PowerAlert	48
<b>3. Instalación</b>	<b>34</b>	Uso de Interfaz LCD del Panel Frontal	48
Instalación en Rack	34	<b>7. Solución de Problemas</b>	<b>55</b>
Instalación en Torre	36	<b>8. Reemplazo de Batería Interna</b>	<b>56</b>
<b>4. Características</b>	<b>37</b>	<b>9. Almacenamiento y Servicio</b>	<b>60</b>
Controles del Panel Frontal	37	<b>10. Registro de Garantía</b>	<b>60</b>
Características del Panel Posterior	38	English	1
<b>5. Conexión Básica y Arranque</b>	<b>40</b>	Français	61
Guía de Inicio Rápido	40		
Conexiones Opcionales	41		

NOTA: Las opciones de módulo de batería externa requieren de configuración usando la interfaz LCD del panel frontal o mediante el software para CONFIGURACIÓN DE BATERÍAS EXTERNAS de Tripp Lite. Para más información, si está conectando baterías externas en este UPS, vea la página 53.



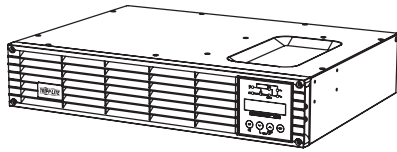
1111 W. 35th Street, Chicago, IL 60609 EEUU • [www.tripplite.com/support](http://www.tripplite.com/support)

Copyright ©2013 Tripp Lite. Todos los derechos reservados. SmartOnline™ es una marca registrada de Tripp Lite. Para las versiones más recientes, visite [www.tripplite.com](http://www.tripplite.com)

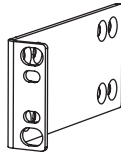
## Descripción General

Los sistemas UPS SmartOnline para Instalación en Rack de Tripp Lite con interfaz LCD interactiva cuentan con protección UPS en línea, de doble conversión con salida permanente de onda sinusoidal y cero tiempo de transferencia para todas las aplicaciones avanzadas de red. Cada sistema proporciona respaldo por batería de larga duración con tiempo de autonomía extendido opcional y capacidad de comunicaciones mediante SNMP/Internet. Las interfaces integradas incluyen serial DB9, USB y apagado de emergencia (EPO). La pantalla LCD interactiva del panel frontal proporciona opciones de información detallada del estado del UPS, de configuración previa y control. Una configuración opcional de modo económico reduce el consumo de energía y la salida de calor.

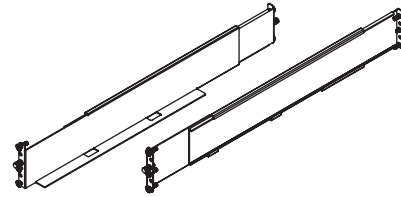
### Lista de piezas



Sistemas UPS



Orejas de instalación (2)



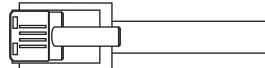
Juego para riel de 4 postes\*



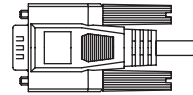
CD con PowerAlert



Cable USB



Cable para EPO (RJ11)



Cable RS-232



Manual del propietario

\*Nota: Los modelos de 3kVA (3U) incluyen un juego para riel de 4 postes diferente al que se muestra.

### Accesorios Adicionales (Todos los Modelos; Opcional)

- SNMPWEBCARD: Tarjeta interna de interfaz de red para control y monitoreo SNMP/Internet
- ENVIROSENSE: Sensor de temperatura/humedad para usarse con SNMPWEBCARD
- SRSWITCH: Sensor de puerta de rack para usarse con ENVIROSENSE y SNMPWEBCARD
- RELAYIOCARD: Tarjeta Programable de Entradas/Salidas por Relevador para monitoreo remoto del UPS
- 2-9USTAND: Permite instalación en rack de UPS y módulos de baterías en configuración de torre vertical (no para SU3000RTXLCD3U)

### Accesorios Específicos por Modelos (Opcional)\*

Modelo de UPS	SU750RTXLCD2U	SU1000RTXLCD2U	SU1500RTXLCD2U	SU2200RTXLCD2U	SU3000RTXLCD3U
Módulo de baterías externas (LÍMITE 1)**	BP24V15RT2U	BP24V15RT2U	BP48V24-2U	BP48V24-2U	BP72V15-2U
Módulo de baterías externas (SIN LÍMITE)**	BP24V70RT3U	BP24V70RT3U	BP48V60RT3U	BP48V60RT3U	BP72V28RT3U
Sistema PDU Hot-Swap	PDUB15	PDUB15	PDUB15	PDUB20	PDUB30
Juego de 2 postes para instalar en rack.	2POSTRMKITWM	2POSTRMKITWM	2POSTRMKITWM	2POSTRMKITWM	2POSTRMKITHD
Garantía Extendida de 5 Años	WEXT5-500-1500	WEXT5-500-1500	WEXT5-500-1500	WEXT5-2200-3000	WEXT5-2200-3000

\*Para información de tiempo de autonomía extendido y opciones de accesorios adicionales, visite la página de especificaciones para su sistema UPS en [www.tripplite.com](http://www.tripplite.com).

NOTA: Las opciones de módulo de batería externa requieren de configuración usando la interfaz LCD del panel frontal o mediante el software para CONFIGURACIÓN DE BATERÍAS EXTERNAS de Tripp Lite. Para más información, si está conectando baterías externas en este UPS, vea la página 53.





### GUARDE ESTAS INSTRUCCIONES

Este manual contiene instrucciones y advertencias que deben seguirse durante la instalación, el funcionamiento y el almacenamiento de todos los Sistemas UPS de Tripp Lite. Si no tiene en cuenta estas advertencias se puede anular la garantía.

### Advertencias para la Ubicación del UPS

- Instale su UPS en interiores, alejado de la humedad o el calor excesivos, contaminantes conductores, el polvo o la luz solar directa.
- Para mejor rendimiento, mantenga la temperatura interior entre 32° F y 104° F (0° C y 40° C).
- Deje espacio suficiente alrededor del sistema UPS para una ventilación adecuada.
- **No instale la unidad con el panel frontal o trasero orientado hacia abajo (en cualquier ángulo). Si la instala de esta manera inhibirá gravemente la capacidad de enfriamiento interno de la unidad, lo que finalmente provocará daños en el producto no cubiertos por la garantía.**

### Advertencias para la Conexión del UPS

- Conecte su UPS directamente a un tomacorriente CA adecuadamente conectado a tierra. No enchufe el UPS a sí mismo, lo dañará.
- No modifique el enchufe del UPS y no utilice un adaptador que elimine la conexión a tierra del UPS.
- No utilice cables de extensión para conectar el UPS a un tomacorriente de CA. Su garantía se anulará si se utiliza cualquier otra cosa que no sea un supresor de sobretensiones de Tripp Lite para conectar su UPS a un tomacorriente.
- Si el UPS recibe energía de un generador de CA accionado por motor, el generador debe proporcionar una salida limpia y filtrada con grado de computadora.
- El tomacorriente principal que alimenta al UPS debe instalarse cerca del UPS y debe ser fácilmente accesible.
- Para eliminar el voltaje CA del UPS, quite el enchufe del tomacorriente.

### Advertencias sobre la Conexión de Equipos

- No se recomienda usar este equipo en aplicaciones de mantenimiento artificial de la vida, donde se puede esperar razonablemente que su falla cause la falla del equipo de mantenimiento de la vida o que afecte de manera importante su seguridad o eficiencia. No use este equipo en presencia de mezclas anestésicas inflamables con aire, oxígeno u óxido nítrico.
- No conecte supresores de sobretensiones o cables de extensión al tomacorriente de su UPS. Esto puede dañar el UPS y puede afectar las garantías del supresor de sobretensiones y del UPS.
- Conecte el UPS a un tomacorriente que esté debidamente protegido contra corrientes excesivas, cortocircuitos y fallas de conexión a tierra, como parte de la instalación del edificio. La protección del tomacorriente para el UPS debe estar en serie con la alimentación principal.

### Advertencias sobre las baterías

- Las baterías pueden presentar el riesgo de descargas eléctricas y de causar quemaduras por cortocircuitos de alta voltaje. Tome las precauciones necesarias. No deseche las baterías en el fuego. No abra el UPS ni las baterías. No haga cortocircuito ni puente en los terminales de la batería con ningún objeto. Antes de cambiar la batería, desenchufe y apague el UPS. Utilice herramientas con mangos aislados. Dentro del UPS no hay partes que el usuario pueda reparar. El reemplazo de baterías debe hacerlo sólo el personal de servicio autorizado utilizando el mismo número y tipo de baterías (de ácido de plomo selladas). Las baterías se pueden reciclar. Consulte las normas locales para obtener los requisitos de desecho o visite [www.tripplite.com/UPSbatteryrecycling](http://www.tripplite.com/UPSbatteryrecycling) para ver la información de reciclado. Tripp Lite ofrece una línea completa de Cartuchos de baterías de reemplazo (R.B.C.) para sistemas UPS. Visite Tripp Lite en la Web en [www.tripplite.com/support/battery/index.cfm](http://www.tripplite.com/support/battery/index.cfm) para buscar la batería de reemplazo específica para su UPS.
- NOTA: Las opciones de módulo de batería externa requieren de configuración usando la interfaz LCD del panel frontal o mediante el software para CONFIGURACIÓN DE BATERÍAS EXTERNAS de Tripp Lite. Para más información, si está conectando baterías externas en este UPS, vea la página 53.

# Instalación

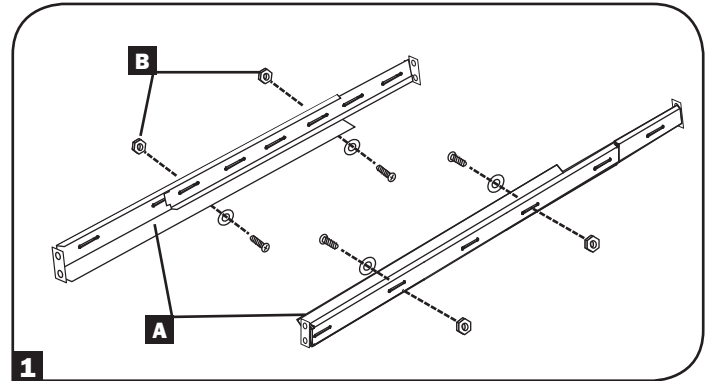
## Instalación en Rack

Instale el equipo en un gabinete de rack o rack de 2 ó 4 postes (para instalación en 2 postes vea la página siguiente). El usuario debe determinar la conveniencia de las herramientas y los pasos antes de instalarlo. Si los accesorios o los procedimientos no son adecuados para la aplicación, comuníquese con el fabricante del rack o gabinete de rack. Las instrucciones de este manual son para racks comunes y racks de bastidor y pueden no ser adecuadas para todas las aplicaciones.

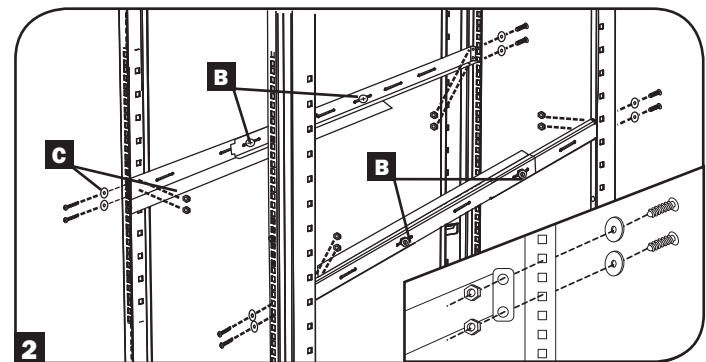
### Instalación en 4 Postes (Unidades de 3U)

Todos los modelos de UPS incluyen los accesorios necesarios para instalarse en un rack de 4 postes con perforaciones cuadradas. Todos los modelos incluyen un juego de entrepaño ajustable para instalación en rack para proporcionar soporte.

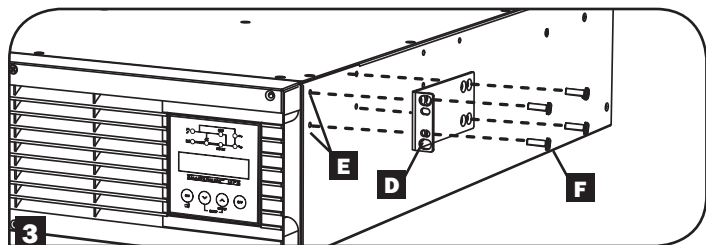
**1** Conecte los dos segmentos de cada entrepaño **A** usando los tornillos y tuercas incluidos **B**. Deje los tornillos ligeramente flojos de modo que los entrepaños puedan ajustarse en el paso siguiente.



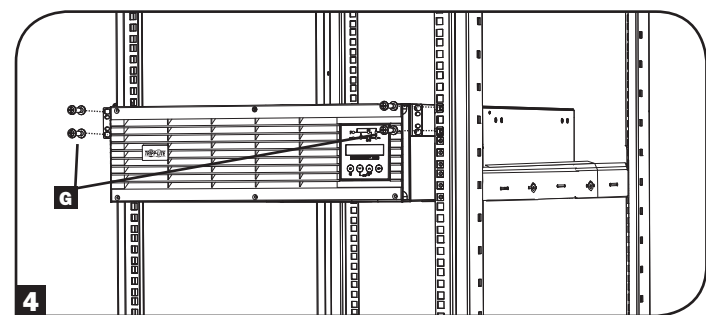
**2** Ajuste cada entrepaño para adaptarlo al rack, entonces, móntelo en el espacio más abajo posible de su rack con los tornillos, tuercas y arandelas proporcionadas **C**. Tenga en cuenta que los rebordes deben ver hacia el interior. Apriete los tornillos que conectan los segmentos de los entrepaños **B**.



**3** Instale las orejas de montaje **D** en los orificios delanteros de montaje de su UPS **E** usando los tornillos proporcionados **F**. Las orejas deben ver hacia el frente.



**4** Utilizando un asistente, si fuera necesario, levante su UPS y deslícelo en los entrepaños de montaje. Sujete su UPS al rack usando los herrajes apropiados **G** a través de las orejas de montaje y en los rieles del rack. Para instalación en 3U; pueden necesitarse además tuercas de jaula proporcionadas por el usuario). Apriete todos los tornillos con firmeza.



# Instalación

## Instalación en 4 Postes (Unidades de 2U)

- 1 Los pasadores plásticos **A** incluidos soportarán en forma temporal a los entrepaños vacíos de instalación en rack **B** mientras instala las piezas de instalación permanente. Inserte un pasador en el tercer orificio desde la parte superior en el extremo delantero de cada soporte. En el extremo posterior, inserte un pasador en el orificio central. (Cada soporte frontal posee 6 orificios y cada soporte trasero posee 5 orificios). Los pasadores se ajustarán en su lugar.

Luego de instalar los pasadores, expanda cada entrepaño para que coincidan con la profundidad de los rieles del rack. Los pasadores pasarán a través de los orificios cuadrados en los rieles del rack para soportar los entrepaños. Consulte las etiquetas de la unidad del rack para confirmar que los entrepaños estén nivelados en todas las direcciones.

Nota: El borde del soporte de cada entrepaño debe estar orientado hacia adentro.

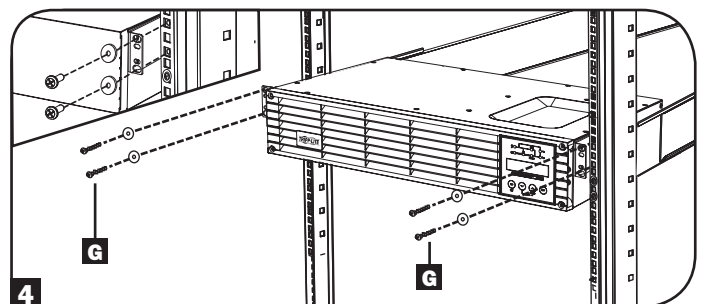
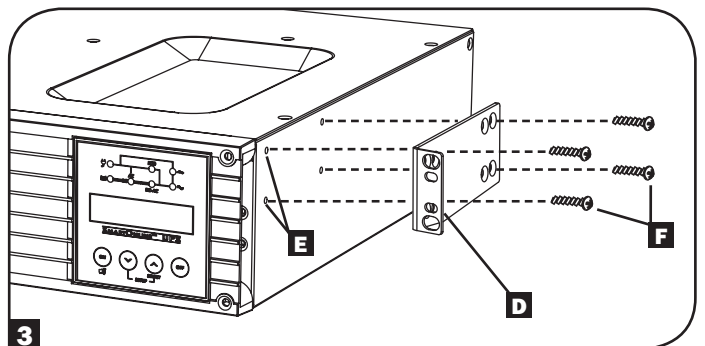
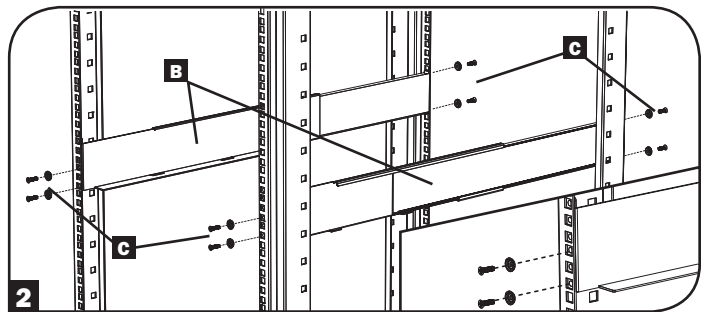
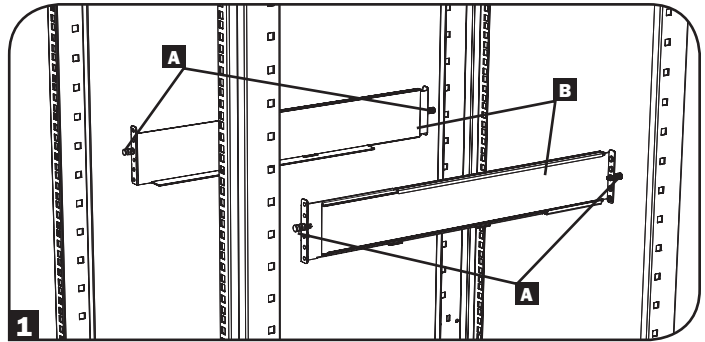
- 2 Desmonte los pasadores en el extremo delantero de cada ménsula. Asegure los entrepaños **B** a los rieles de montaje mediante los tornillos y arandelas cóncavas **C** como se muestra. Coloque 2 tornillos en el frente de cada riel (4 en total) y dos tornillos en la parte posterior de cada riel (4 en total). Apriete todos los tornillos antes de continuar. Nota: Los pasadores posteriores deben dejarse colocados para la instalación, pero los delanteros deben desmontarse antes de asegurar el rack con tornillos.

### ¡ADVERTENCIA!

**No intente instalar su UPS hasta que haya insertado y ajustado los tornillos necesarios. Los pasadores plásticos no soportarán el peso de su UPS.**

- 3 Instale las ménsulas de montaje **D** de su UPS en los orificios delanteros de montaje **E** del UPS usando los herrajes incluidos **F**. Las orejas de la ménsula de montaje deben apuntar hacia el frente.

- 4 Con la ayuda de un asistente (si es necesario), eleve el UPS y deslícelo en los estantes. Sujete los soportes de montaje del UPS a los rieles delanteros de montaje con tornillos y arandelas suministrados por el usuario **G**. Apriete todos los tornillos.



# Installation

## Instalación en 2 Postes

Si instala modelos de UPS 2U en racks de 2 postes, se requiere agregar un juego para instalación en rack de 2 postes de Tripp Lite (modelo: 2POSTRMKITWM, que se vende por separado). Los modelos de UPS de 3U pueden también instalarse en racks de 2 postes, pero se requiere agregar el juego 2POSTRMKITHD (vendido por separado) Consulte el manual del propietario del Juego de Instalación para ver las instrucciones de instalación.

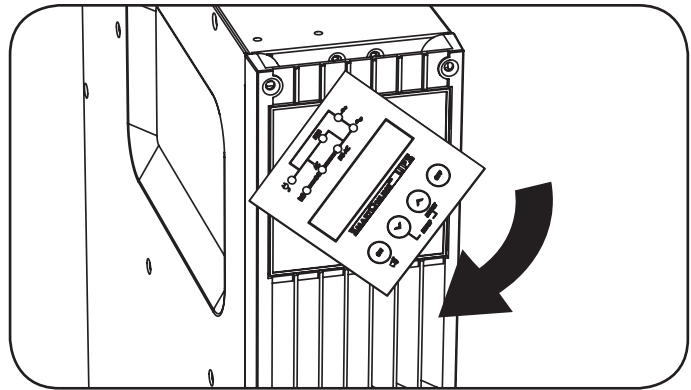
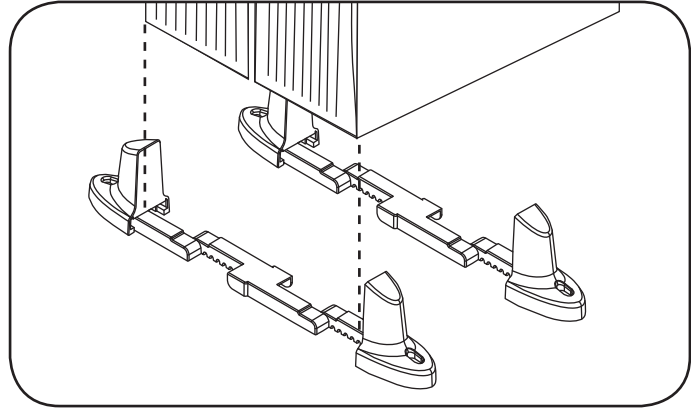
## Instalación en Torre (Sólo Modelos 750-2200VA)

Su UPS puede montarse en posición de torre vertical con los apoyos de base opcional que se venden por separado por Tripp Lite (Model # 2-9USTAND). Cuando se monta el UPS sobre apoyos de base ajustables, asegúrese de que el panel de control esté en la parte superior. El panel de control puede girarse para facilitar la lectura. Inserte un pequeño destornillador o herramienta similar en las ranuras de cada lado del panel, extráigalo, gírelo e insértelo nuevamente en su lugar como se muestra. La calibración del panel frontal debe ser operada solamente por personal de servicio.

### ADVERTENCIA!

**Todos los sistemas UPS son extremadamente pesados. Tenga cuidado durante el izaje e instalación. El usuario debe estabilizar apropiadamente el UPS al izarlo e instalarlo.**

*Nota: SU3000RTLCD3U no puede instalarse en torre. El hacerlo inhibirá el enfriamiento interno del sistema UPS.*



Modelo	SU750RTLCD2U, SU1000RTLCD2U	SU1500RTLCD2U	SU2200RTLCD2U	SU3000RTLCD3U
Dimensiones del UPS (HxWxD pulgadas.)	3.5 x 17.5 x 13.5	3.5 x 17.5 x 19	3.5 x 17.5 x 19	5.25 x 17.75 x 26
Dimensiones del UPS (HxWxD cm.)	8.8 x 44.4 x 34.3	8.8 x 44.4 x 48.3	8.8 x 44.4 x 48.3	13.3 x 45 x 66

Altitud de Operación: 0 a 3000 m (0 a 10,000 pies).

### NOTA SOBRE CONFIGURACIÓN DE BATERÍA EXTERNA

Si se usarán módulos de baterías externas con este UPS, instélos siguiendo la documentación de montaje/instalación incluida con cada módulo de baterías. La instalación de módulos de baterías externas requiere que el UPS se configure de una de dos maneras:

1. A través de la interfaz LCD del panel frontal del UPS
2. Mediante el software de CONFIGURACIÓN DE BATERÍAS EXTERNAS de Tripp Lite

Este UPS está programado de fábrica con perfiles de curvas de descarga para configuraciones de módulo de batería externa accesibles utilizando la interfaz LCD del panel frontal UPS. Se permiten también opciones de módulo de batería adicional usando módulos externos de baterías o baterías más grandes, pero requieren configuración usando el software para CONFIGURACIÓN DE BATERÍAS EXTERNAS y una conexión de puerto serial al UPS. Vea la página 53 para determinar qué método aplica para su configuración de módulo de batería externa.

## Características

Antes de instalar y hacer funcionar el UPS, debe familiarizarse con la ubicación y función de las características de cada componente.

### Controles del Panel Frontal, LEDs y Pantalla LCD

**1 Pantalla LCD:** Esta pantalla retroiluminada de matriz de puntos (16 x 2 caracteres) indica un amplio rango de condiciones de operación del UPS y datos de diagnóstico. Muestra también las configuraciones y opciones del UPS al observar las pantallas de configuración del UPS.

**2 BOTÓN ON/MUTE (Encendido/Silencio):** Este botón proporciona 3 funciones dependiendo del estado del UPS al oprimirlo: Control de encendido, cancelación de alarma y autodiagnóstico.

- Para encender el UPS en MODO EN LÍNEA, oprima y mantenga este botón mientras que el UPS esté conectado a un tomacorriente activo hasta que se escuche un bip, entonces suéltelo.
- Para “arranque en frío” del UPS o en MODO DE BATERÍA DURANTE UNA FALLA DE SUMINISTRO ELÉCTRICO, oprima y mantenga este botón mientras que el UPS esté apagado hasta que se escuche un bip, entonces suéltelo.
- Oprima este botón durante una falla de alimentación para silenciar la alarma acústica. La alarma sonará nuevamente para indicar una batería baja.
- Para ejecutar un AUTO-DIAGNÓSTICO, mientras el UPS está operando normalmente en el modo en línea o económico, oprima y sostenga este botón hasta que se oiga un bip y entonces suéltelo.

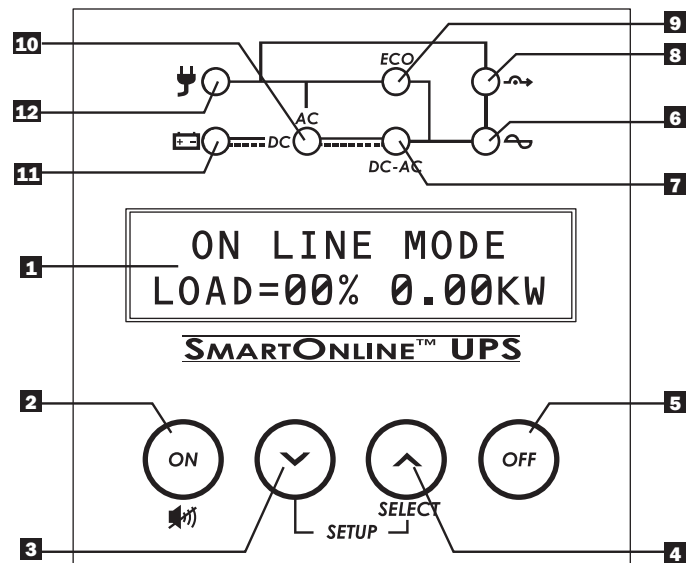
**3 Botón Scroll Down/Exit Setup (Desplazar hacia abajo/ Salir de la Configuración):** Este botón permite examinar distintas opciones y condiciones de operación del UPS en la pantalla LCD. Si lo presiona momentáneamente, el LCD mostrará una condición de operación distinta (Para detalles, consulte Operación). Oprima este botón hasta que escuche un bip y vea el mensaje de confirmación en la pantalla LCD (“Apagar UPS:S/N”). Entonces, oprima el botón SCROLL UP que apaga el inversor del sistema UPS.

**4 Botón Desplazamiento Hacia Arriba/Selección:** Este botón permite examinar distintas opciones y condiciones de operación del UPS en la pantalla LCD. Si lo presiona momentáneamente, el LCD mostrará una condición de operación distinta (Para detalles, consulte Operación). El oprimir simultáneamente este botón y el botón SCROLL DOWN durante 3 segundos iniciará una serie de pantallas de configuración. Durante la operación de configuración, se usa este botón para cambiar pantalla entre las opciones de configuración y seleccionar las opciones.

**5 Botón OFF (Apagado):** Oprima este botón hasta que escuche un bip y vea el mensaje de confirmación en la pantalla LCD (“Apagar UPS:S/N”). Entonces, oprima el botón SCROLL UP que apaga el inversor del sistema UPS.

**6 LED de Salida:** Este LED verde se iluminará para indicar que el UPS está suministrando alimentación CA a los equipos conectados.

**7 LED DE “CD/CC” (Inversor):** Este LED verde se iluminará para indicar que se activó el inversor CD/CA del UPS.



**8 LED de Bypass (Derivación):** Este LED amarillo destellará cuando el UPS esté proporcionando energía de la red pública filtrada sin usar su convertidor o inversor. Si este LED está destellando, el equipo conectado no recibirá energía de la batería en caso de un apagón.

**9 LED ECO (Modo Económico):** Este LED verde se iluminará para indicar que su UPS está operando en Modo Económico. Si este LED está encendido, el equipo está alimentado con energía filtrada de la red pública. El inversor estará activo durante un apagón o caída de voltaje y alimentará energía continua CA al equipo.

**10 LED de CA/CC (Convertor):** Este LED verde se iluminará para indicar que el convertidor de CA/CD del UPS está activo mientras está disponible la alimentación de CA.

*Nota: Este LED se iluminará también para indicar que el convertidor de CA/CD del UPS está activo mientras la batería está descargada para proveer alimentación de CA al equipo conectado.*

**11 LED Battery (Batería):** Este LED verde se iluminará cuando el UPS esté descargando la batería para proporcionar alimentación CA a los equipos conectados. Cuando esté encendido, sonará una alarma, que puede silenciarse oprimiendo el botón ON/MUTE. Este LED permanecerá iluminado hasta que se silencie la alarma.

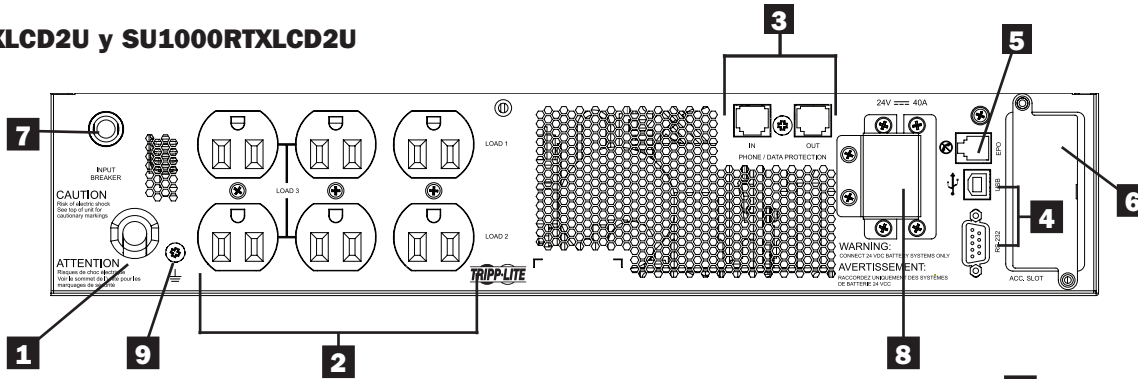
**12 LED Input (Alimentación):** Este LED verde se iluminará para indicar que está presente y en buena condición la alimentación de CA. Destellará si la alimentación de CA está fuera del rango de derivación aceptable.

# Características

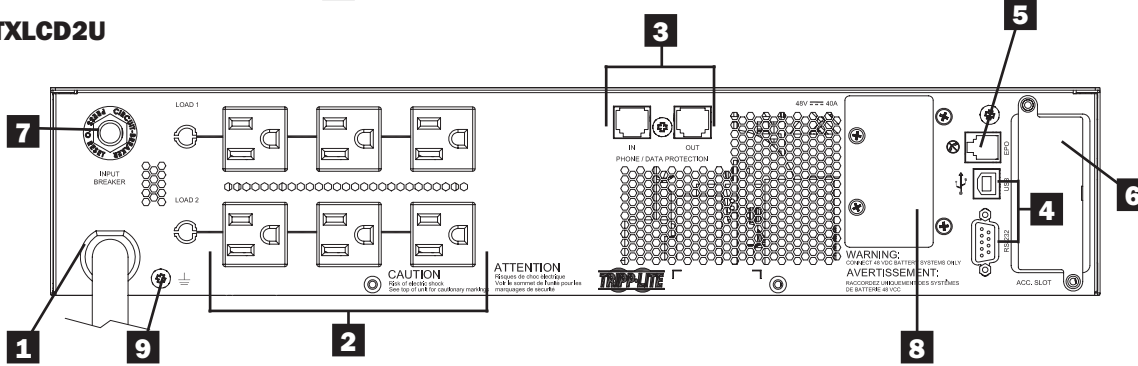
## Características del panel posterior

Nota: Las descripciones para estas imágenes están en la página siguiente.

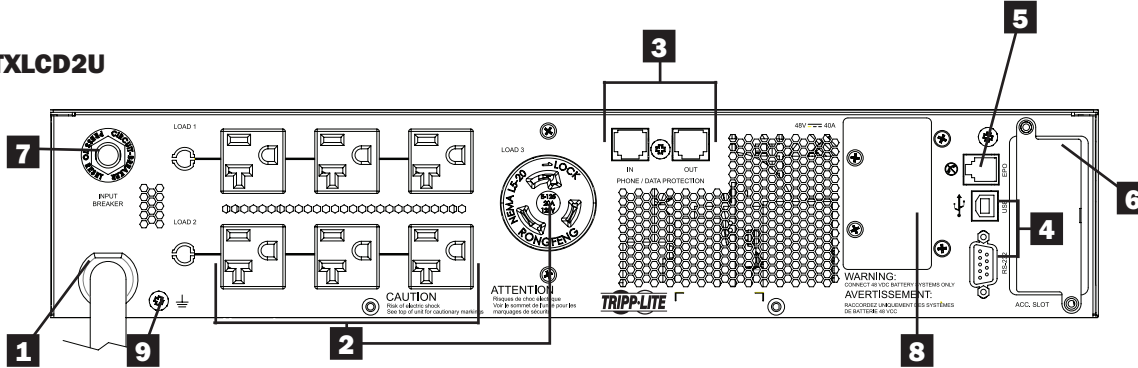
### SU750RTXLCD2U y SU1000RTXLCD2U



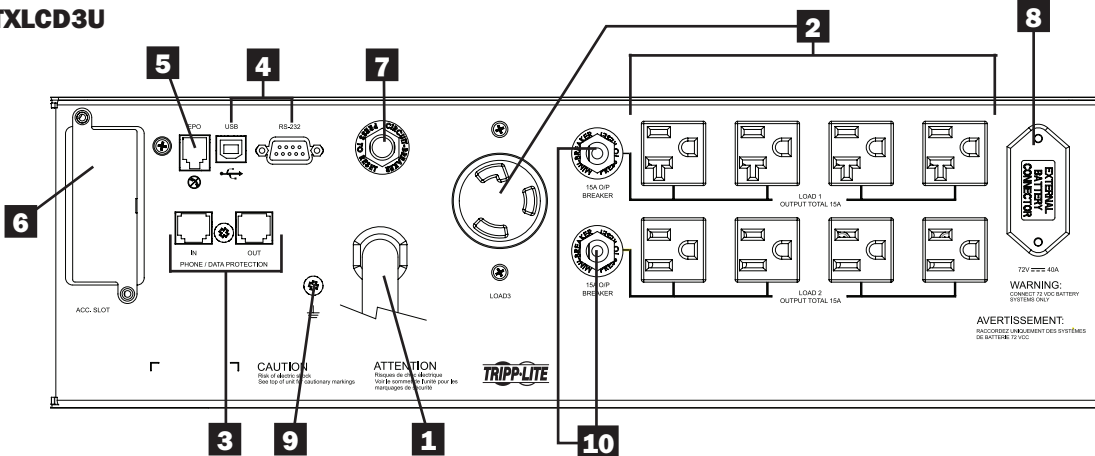
### SU1500RTXLCD2U



### SU2200RTXLCD2U



### SU3000RTXLCD3U



## Características

- 1 Cable de Alimentación:** Este cable acoplado permanentemente conecta su UPS a un tomacorriente.
- 2 Tomacorrientes de CA (Varía según Modelo):** Estos tomacorrientes proporcionan alimentación de CA sinusoidal pura a los equipos conectados durante el funcionamiento normal y energía de batería durante apagones severos y caídas de voltaje. La energía proporcionada a estos tomacorrientes está filtrada para proteger al equipo conectado contra daños por sobretensiones y ruido en la línea. Los tomacorrientes están divididos en bancos de carga numerados, como está etiquetado en la unidad. Los bancos de carga uno y dos pueden apagarse y encenderse individualmente desde una posición remota usando el software PowerAlert y cableado, permitiendo a los usuarios reestablecer o reiniciar el equipo conectado.
- 3 Conectores con Protección para Teléfono o Teléfono/Red:** Dependiendo del modelo, estos conectores protegen su equipo contra picos de corriente en una línea telefónica o línea de datos de teléfono/Internet. La conexión de sus equipos a estos conectores es opcional. El sistema de UPS funcionará correctamente sin estas conexiones.
- 4 Puertos de Comunicaciones (USB o RS-232):** Estos puertos conectan su UPS a cualquier estación de trabajo o servidor. Utilícelos con el software PowerAlert de Tripp Lite y los cables incluidos para permitir que la computadora guarde los archivos automáticamente y el equipo se apague durante un apagón. Use además el software PowerAlert para monitorear una amplia variedad de condiciones de alimentación de CA y de operación del UPS. Consulte el manual del software PowerAlert o comuníquese con el Servicio al cliente de Tripp Lite para obtener más información. El puerto RS-232 de 9 pines soporta además comunicaciones de contacto seco. Consulte “Comunicaciones seriales USB y RS-232” en la sección “Conexiones opcionales” para obtener instrucciones de instalación.
- 5 Puerto EPO (Apagado de Emergencia):** Su UPS cuenta con un puerto EPO que puede utilizarse para conectar el UPS a un interruptor de cierre de contacto para permitir el apagado del inversor de emergencia. Consulte la sección Instalación Opcional para obtener detalles.
- 6 Ranura para accesorios:** Extraiga el pequeño panel de la cubierta de esta ranura para usar accesorios opcionales para controlar y monitorear el sistema UPS en forma remota. Visite [www.tripplite.com](http://www.tripplite.com) para ver una lista completa de accesorios, incluyendo la SNMPWEBCARD para monitoreo y control remoto del UPS, así como una amplia variedad de productos para conectividad y administración de red.
- 7 Disyuntor de Circuito de Alimentación:** Este disyuntor reinicializable evita que corriente de alimentación alta dañe al UPS o a la carga conectada. Si se dispara este disyuntor, verifique la carga de su UPS antes de reiniciar el interruptor del disyuntor.
- 8 Conector para Módulo de Baterías Externas (la configuración varía según el modelo):** Su UPS soporta el uso de módulos opcionales de baterías externas de Tripp Lite para obtener autonomía adicional. Vea la sección de Accesorios Específicos por Unidad bajo Descripción General para ver modelos compatibles y limitaciones y la sección de Configuración del LCD bajo Operación para ver las instrucciones de configuración.  
*Nota: Las opciones de módulo de batería externa requieren de configuración usando la interfaz LCD del panel frontal o mediante el software para CONFIGURACIÓN DE BATERÍAS EXTERNAS de Tripp Lite. Para más información, si está conectando baterías externas en este UPS, vea la página 53.*
- 9 Tornillo de Conexión a Tierra:** Utilícelo para conectar los equipos que requieren conexión a tierra del chasis.
- 10 Interruptores Disyuntores de Circuito de Salida (Sólo Modelos Selectos):** Estos disyuntores de circuito reiniciales protegen a su UPS contra sobrecargas de salida. Si se dispara uno o ambos disyuntores, elimine algo de carga en el(los) circuito(s) y permita que se enfríe antes de oprimir el(los) disyuntor(es) para reiniciarlos.

## Conexión Básica y Arranque

### Guía de Inicio Rápido

#### 1 Enchufe el cable de alimentación de su UPS en un tomacorriente.

Su UPS debe conectarse a un circuito dedicado de capacidad suficiente. Tenga en cuenta que los modelos seleccionados pueden equiparse con diferentes tipos de enchufe. Consulte la tabla de especificación en la parte superior del UPS para más detalles del voltaje de operación seleccionable.

Al conectar el UPS destellarán momentáneamente todos los LEDs y se encenderá el ventilador. La pantalla LCD cambiará dos mensajes por 2 segundos cada uno.

STANDBY MODE  
LOAD 0% 0.00KW

PRESS ON KEY  
TO START UPS

*Nota: Hasta que el UPS se conecte por primera vez a un tomacorriente de CA energizado, no estará disponible el ARRANQUE EN FRÍO (inicio en modo de batería durante una falla de energía). Vea la sección de configuración de ARRANQUE EN FRÍO DEL LCD (pag.52) para mayor información.*

En la configuración original no se suministra energía a las salidas en el modo en espera [STANDBY MODE]. La salida en modo de rodeo puede activarse en el modo de espera mediante las pantallas de configuración LCD integradas.

#### 2 Enchufe su equipo en su UPS.

Su UPS está diseñado para soportar solamente equipo de cómputo. Si conecta aparatos domésticos o impresoras láser a las salidas sobrecargará su UPS.

#### 3 Encienda su UPS:

- Oprima el botón "ON/MUTE"
- Sosténgalo unos segundos hasta oír un bip
- Suéltelo

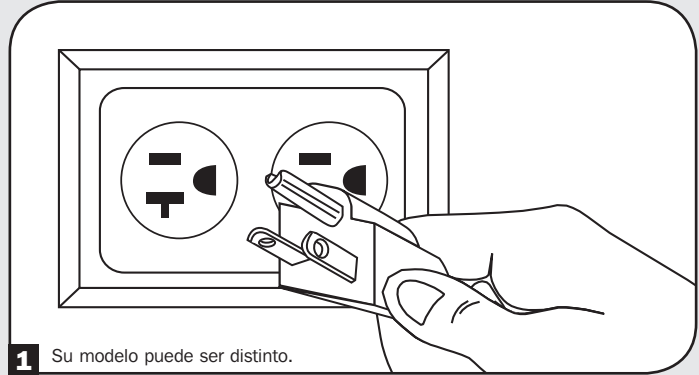
Después de completar con éxito el diagnóstico de arranque, su UPS empezará a enviar energía a sus salidas. Se encenderán los LEDs INPUT, AC/DC (convertidor), DC/AC (inversor) y OUTPUT y la pantalla LCD mostrará:

ON LINE MODE  
LOAD= 00% 0.00KW

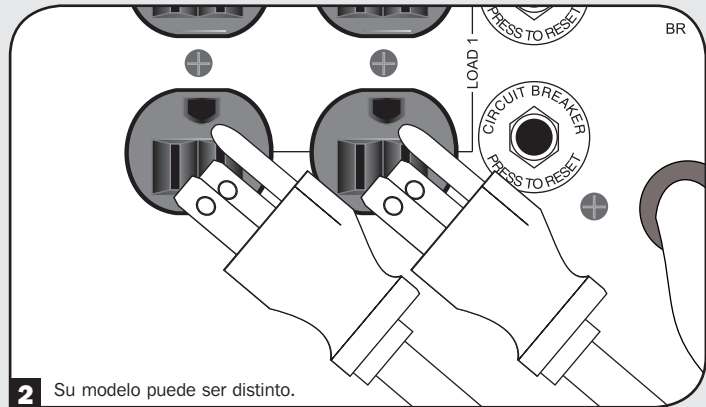
**Si experimenta problemas al encender el UPS, puede haber presionado el botón de encendido demasiado tiempo. Suelte el botón durante el bip (no después de que se detenga).**

*Nota: El sistema UPS funcionará correctamente una vez arrancado, no obstante, el tiempo de autonomía máximo para la batería de la unidad sólo se consigue si se ha cargado por 24 horas.*

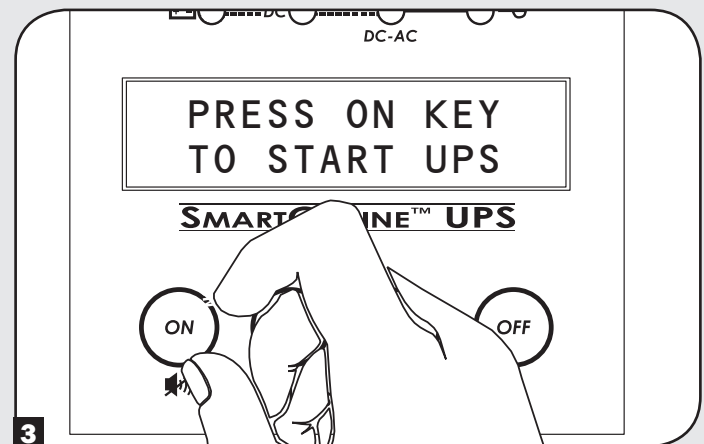
*Nota: Las opciones de módulo de batería externa requieren de configuración usando la interfaz LCD del panel frontal o mediante el software para CONFIGURACIÓN DE BATERÍAS EXTERNAS de Tripp Lite. Para más información, si está conectando baterías externas en este UPS, vea la página 53.*



1 Su modelo puede ser distinto.



2 Su modelo puede ser distinto.



3



# Conexión Básica y Arranque

## Conexiones Opcionales

El sistema de UPS funcionará sin estas conexiones.

### 1 Supresión de Sobretensiones en la Línea Telefónica o de Línea de Teléfono/Internet

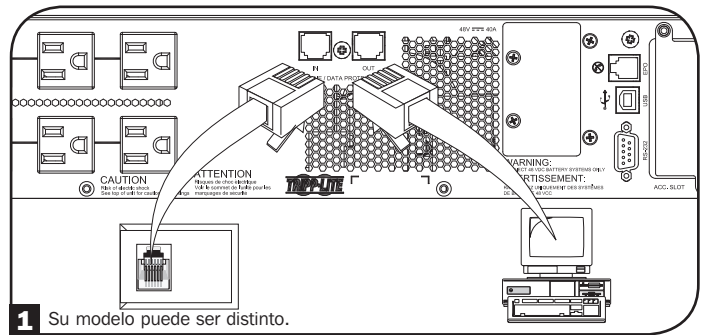
Su UPS tiene conectores que protegen contra sobretensiones de corriente en una línea telefónica. Modelos selectos presentan conectores que protegen además contra sobretensiones de corriente en la línea de la red.\* Usando los cables apropiados de teléfono o red conecte su conector de pared al conector del UPS marcado "IN". Conecte su equipo al conector del UPS marcado "OUT". Asegúrese de que el equipo que conecte a los conectores del UPS esté también protegido contra sobretensiones en la línea de CA.

\* No compatible con aplicaciones de PoE (Energía sobre Ethernet).

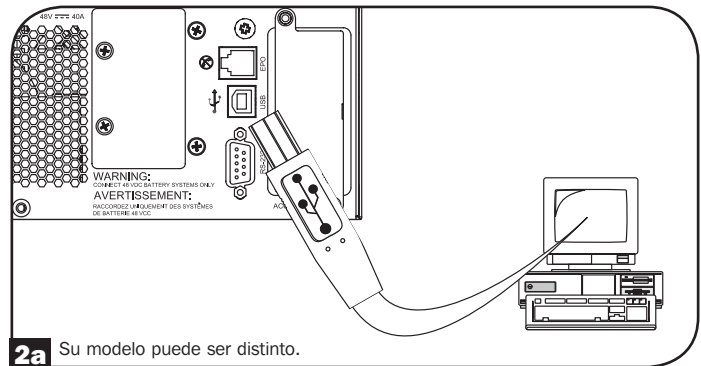
Nota: Use el mismo tipo de conector para los puertos de entrada y salida de supresión de picos en la línea telefónica.

### 2 Comunicaciones Seriales RS-232 y USB

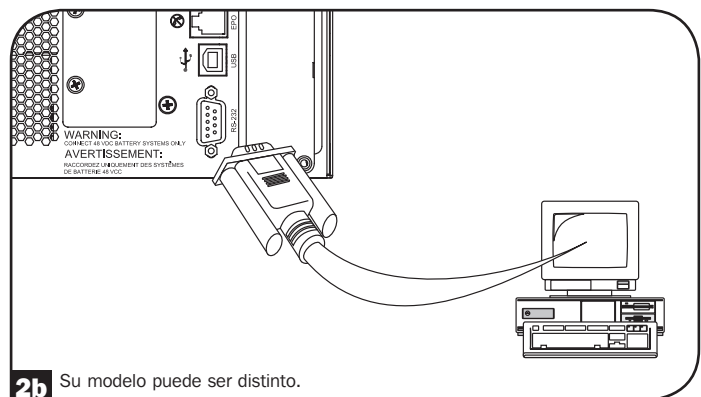
Utilice el cable USB incluido (consulte **2a**) y/o el cable serial DB9 (consulte **2b**) para conectar el puerto de comunicación del UPS. Instale el software PowerAlert de Tripp Lite en su computadora, según el sistema operativo instalado. Su UPS puede contar con puertos de comunicación adicionales, los cuales pueden estar conectados a computadoras adicionales que tengan el software PowerAlert instalado. Consulte el manual de PowerAlert manual para obtener más información. **2c** Las comunicaciones de contacto seco son sencillas, pero se requiere algún conocimiento de electrónica para configurarlas. Las asignaciones de terminal del puerto DB9 se muestran en el diagrama siguiente. Si la batería del UPS está baja, el UPS envía una señal puentando las terminales 1 y 5. Si falla la energía de alimentación, el UPS envía una señal puentando las terminales 8 y 5. Para apagar remotamente el UPS, ponga en corto las terminales 3 y 9 por al menos 60 segundos.



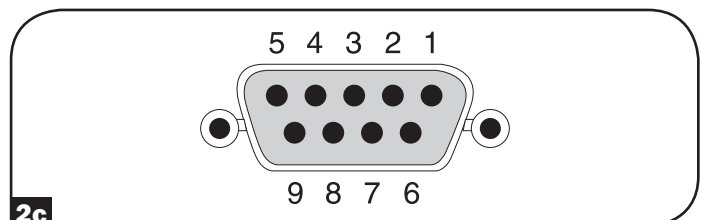
1 Su modelo puede ser distinto.



2a Su modelo puede ser distinto.



2b Su modelo puede ser distinto.



2c

## Conexión Básica y Arranque

### 3 Conexión de Puerto EPO

Esta función opcional es sólo para aquellas aplicaciones que requieren conexión a un circuito de Apagado de Emergencia (EPO) de la instalación. Cuando el UPS está conectado a este circuito, permite el apagado de emergencia del inversor del UPS e inhibe la transferencia a la derivación interna. Con el cable proporcionado, conecte el puerto de EPO de su UPS (vea **3a**) para un interruptor normalmente cerrado o normalmente abierto proporcionado por el usuario de acuerdo al diagrama de circuito (ver **3b**).

*Nota: 1. Si se utiliza un cable diferente del suministrado, éste no puede exceder 350 pies (106 m) o tener una resistencia superior a 10 ohmios.*

*2. Si se utiliza un interruptor de EPO sin seguro, el EPO debe mantenerse por un mínimo de 1 segundo. Esto no aplica a un interruptor EPO con seguro.*

**PRECAUCIÓN: El puerto EPO no es un supresor de sobretensiones de línea telefónica, no conecte una línea telefónica a este puerto.**

Estado de Unidad UPS cuando se confirma el EPO con una línea de CA presente:

LEDs	Output	Fans	Serial	SNMP	USB	LCD Screen
APAGADO	APAGADO	ENCENDIDO	ENCENDIDO	ENCENDIDO	ENCENDIDO	"APAGADO DE EMERGENCIA"

Para reiniciar la unidad UPS después de confirmar el EPO con una línea de CA presente:

#### Opción 1:

1. Verifique que la confirmación del EPO ha sido eliminada o borrada.
2. Oprima el botón ON hasta que escuche un bip, luego suéltelo.
3. La salida de UPS encenderá nuevamente después de completar el autodiagnóstico.

#### Opción 2:

1. Verifique que la confirmación del EPO ha sido eliminada o borrada.
2. Desconecte la alimentación CA de la unidad UPS, espere hasta que la pantalla LCD esté totalmente apagada.
3. Reaplique la energía de línea de CA. Ahora el UPS encenderá nuevamente en el modo de operación normal.

Estado de Unidad UPS cuando se confirma el EPO sin alimentación de línea de CA:

LEDs	Output	Fans	Serial	SNMP	USB	LCD Screen
APAGADO	APAGADO	APAGADO	APAGADO	APAGADO	APAGADO	"APAGADO DE EMERGENCIA"

Para reiniciar la unidad UPS después de confirmar el EPO sin una línea de CA presente:

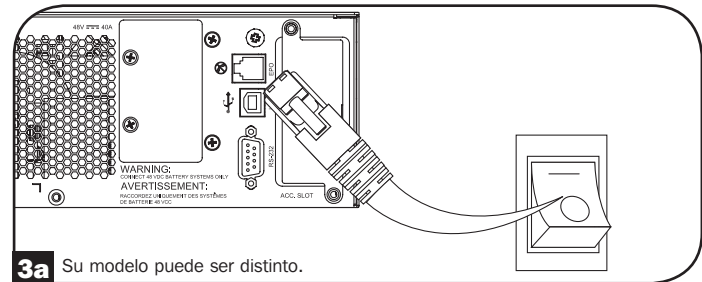
1. Verifique que la confirmación del EPO ha sido eliminada o borrada.
2. Reaplique la energía de línea de CA a la unidad de UPS. Ahora el UPS encenderá nuevamente en el modo de operación normal.

### 4 Conexión de Baterías Externas

Para consultar los módulos de de baterías compatibles y la cantidad máxima para su sistema UPS, compruebe la sección de Accesorios Específicos por Unidad. Cerciérese de que su módulo de baterías coincida con la tensión indicada en el conector de batería de su UPS. Si agrega baterías externas aumentará el tiempo de recarga y la autonomía. Para instrucciones completas de instalación y configuración, consulte el manual del propietario. Asegúrese de que los cables estén completamente insertados en los conectores. Pueden provocarse pequeñas chispas durante la conexión de la batería; esto es normal. No conecte o desconecte módulos de baterías cuando el UPS está funcionando con energía de la batería.

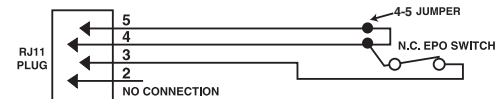
**¡IMPORTANTE! Para calibrar su UPS de modo que las pantallas de LCD de tiempo de respaldo remanente e información del software predigan con precisión el tiempo de respaldo con módulos de baterías conectados, vea la página 53 para información adicional si se conectan baterías externas en este UPS.**

**PRECAUCIÓN: No abra ni mutile las baterías. El material liberado es peligroso para la piel y los ojos. Puede ser tóxico. Al trabajar con baterías deben observarse las siguientes precauciones: Determine si la batería está aterrizada individualmente. Si está aterrizada inadvertidamente, retire la fuente de la conexión a tierra. Haga contacto con cualquier parte de una batería aterrizada puede causar una descarga eléctrica. La probabilidad de dicha descarga puede reducirse si se retiran las conexiones a tierra durra aplicable a las alimentaciones de equipo y batería remota que no tienen un circuito de alimentación de aterrizado).**

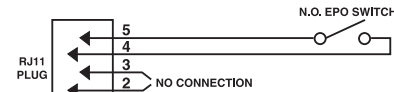


**3a** Su modelo puede ser distinto.

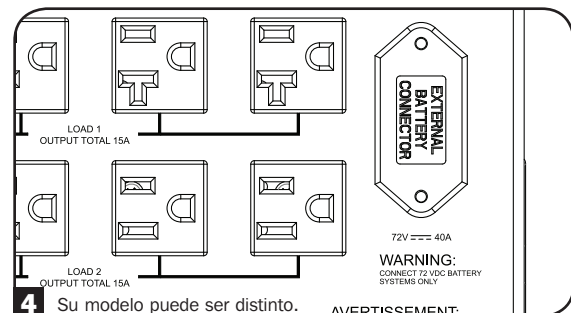
#### OPTION 1: USER SUPPLIED NORMALLY CLOSED SWITCH



#### OPTION 2: USER SUPPLIED NORMALLY OPEN SWITCH



**3b**



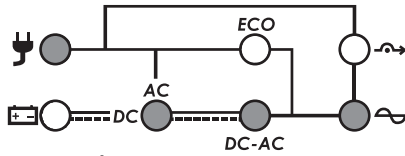
**4** Su modelo puede ser distinto.

# Operación

## Modos de Operación

### MODO EN LÍNEA:

Este es el modo estándar de operación para su UPS. En el modo En Línea, el UPS proporciona salida de CA regulada continuamente y recarga las el sistema de batería según se requiera. Si la alimentación de energía se vuelve inestable, el UPS mantendrá automáticamente una salida de onda sinusoidal desde las reservas de la batería.



ON LINE MODE  
LOAD=00% 0.00KW

**LEDs DE MODO EN LÍNEA:** LEDs de AC INPUT, AC/DC, DC/AC y OUTPUT encendidos.

**PANTALLA LCD DE MODO EN LÍNEA:** Modo de operación e información de carga del UPS



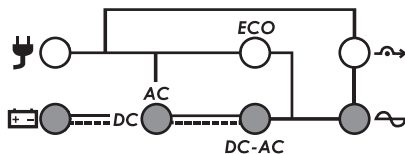
*Nota: Un LED de ALIMENTACIÓN destellando indica que está disponible la energía de alimentación, pero o no es suficientemente estable o es de una frecuencia errónea para utilizar en una capacidad de derivación.*

### OPCIONES DE VISUALIZACIÓN DE LCD DE MODO EN LÍNEA:

Cuando ingrese primero al modo En Línea, la pantalla LCD mostrará información de la carga en unidades de porcentaje y kilowatts. Para mostrar pantallas de información adicionales, toque repetidamente el botón SCROLL DOWN ("v"). Las pantallas adicionales incluyen: Uso de kilowatts hora, capacidad remanente en kilowatts, tiempo de respaldo remanente en minutos, tensión y porcentaje de carga de la batería, tensión y frecuencia de salida, tensión y frecuencia de alimentación, factor de potencia de la carga y porcentaje de carga más capacidad en KVA.

### MODO DE BATERÍA ACTIVA:

En este modo, el UPS proporciona salida de CA de onda sinusoidal derivada de la batería para el equipo conectado. El modo de batería es una respuesta automática a la falla de energía o fluctuación extrema de la tensión cuando el UPS funciona en los modos de en línea o económico. El UPS puede además arrancar manualmente en frío en modo de batería durante una falla de energía oprimiendo y sosteniendo el botón ON/TEST (vea la sección de cómo hacer). UPS regresará a los modos de en línea o económico una vez reestablecida y estable la alimentación principal. Para silenciar la alarma acústica, oprima el botón ON/MUTE. La alarma sonará nuevamente para advertir de condiciones de batería baja. Cuando las baterías se agoten completamente, la alarma del UPS sonará continuamente por 5 segundos y se apagará la salida de CA. El LCD del panel frontal mostrará "OUTPUT OFF/BATTERY LOW" por 5 minutos antes del apagado automático.



ON BATTERY  
LOAD=00% 0.00KW

**LEDs DE MODO DE BATERÍA ACTIVA:** LEDs de BATTERY, AC/DC, DC/AC y OUTPUT UPS load encendidos. LEDs on.

**PANTALLA LCD DE MODO DE BATERÍA:** Modo e información de operación

### OPCIONES DE VISUALIZACIÓN DE LCD DE MODO DE BATERÍA:

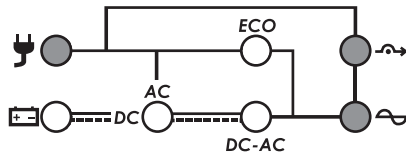
Cuando ingrese primero al modo DE BATERÍA, la pantalla LCD mostrará información de la carga en unidades de porcentaje y kilowatts. Para mostrar pantallas de información adicionales, toque repetidamente el botón SCROLL DOWN ("v"). Las pantallas adicionales incluyen: Uso de kilowatts hora, capacidad remanente en kilowatts, tiempo de respaldo remanente en minutos, tensión y porcentaje de carga de la batería, tensión y frecuencia de salida, tensión y frecuencia de alimentación, factor de potencia de la carga y porcentaje de carga más capacidad en KVA.

### MODO DE BYPASS (DERIVACIÓN):

DERIVACIÓN es un modo de operación en que el UPS pasa directamente a la salida la energía de alimentación sin procesar. El MODO DE DERIVACIÓN puede activarse en base automática (AUTO-BYPASS) o como un modo de operación de emergencia del UPS que mantiene la salida al equipo conectado en caso de una sobrecarga del UPS o falla de un componente interno que de otro modo causa que el equipo conectado pierda energía. La operación en modo de AUTO-BYPASS resultante de una sobrecarga súbita del UPS mientras el UPS está funcionando en modo en línea, se restablecerá una vez que se reduzca la salida. El modo de derivación resultante de una falla interna del UPS puede no restablecerse automáticamente, y si persiste el mensaje, los usuarios deben ponerse en contacto con Tripp Lite para obtener opciones de solución de problemas o reparaciones. Sin importar la causa, el UPS no proporciona respaldo por batería si en la pantalla LCD se informa BYPASS MODE.

Se despliega también BYPASS MODE en la pantalla LCD cuando el UPS está configurado mediante la pantalla LCD en modo de derivación para activar el MODO DE SALIDA DERIVADA. Una vez que se selecciona esta preferencia, el UPS cambiará el modo de derivación con información de la carga y "PRESS ON KEY TO TURN UPS ON" (oprime la tecla para encender el UPS). En este modo, el UPS proporciona operación en modo de espera con energía en las salidas y el cargador está operativo, pero el UPS no proporcionará respaldo si falla la energía en este modo.

## Operación



**BYPASS MODE**  
LOAD=00% 0.00KW

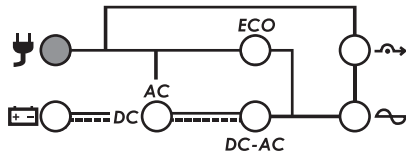
**LEDs de MODO DE BYPASS (DERIVACIÓN):** LEDs de INPUT, BYPASS (destellando) y OUTPUT encendidos.

**PANTALLA LCD EN MODO DE DERIVACIÓN:** Modo de operación e información de carga del UPS\*

\* Nota: Cuando está establecido el modo de derivación en la pantalla de modo en espera, la pantalla de modo de derivación alternará entre el modo en espera con la información de carga y PRESS ON KEY TO TURN UPS ON (oprime la tecla para encender el UPS).

### MODO STANDBY (en espera):

Cuando se conecte de inicio a una fuente activa de energía, el UPS se energizará en el modo en espera. El panel LCD cambiará a "STANDBY MODE / PRESS ON KEY TO START UPS" y el cargador se activará según sea necesario, pero no habrá salida de UPS o respaldo de batería en este modo. Para encender el UPS para operación normal, oprima y sostenga el botón ON hasta que se escuche un bip; el UPS se energizará después de terminada una serie de pruebas de diagnóstico. Para apagar completamente el UPS desde el modo de en espera, sólo desenchufe el UPS de su fuente de energía; el UPS indicará OFF WAITING y se apagarán el ventilador y la pantalla LCD después de unos 30 segundos.



**STANDBY MODE**  
LOAD=00% 0.00KW

**LEDs de MODO STANDBY (en espera):** ILED de INPUT encendido

**PANTALLA DE LCD DE MODO EN ESPERA**  
(2 mensajes, 2 segundos cada uno):

- Modo de Espera e información de carga del UPS
- PRESS ON KEY TO TURN ON UPS [oprime para apagar el UPS] (No se Muestra)



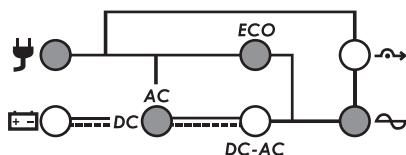
Nota: Un LED de ALIMENTACIÓN destellando indica que está disponible la energía de alimentación, pero o no es suficientemente alta para utilizarla. El oprimir el botón OB en el modo de en espera mientras este LED está destellando arrancará en frío el UPS en el modo de batería.

### OPCIONES DE VISUALIZACIÓN DEL LCD DE MODO EN ESPERA:

Cuando ingrese primero al modo En Espera, la pantalla LCD mostrará información de la carga en unidades de porcentaje y kilowatts. Para mostrar pantallas de información adicionales, toque repetidamente el botón SCROLL DOWN ("v"). Las pantallas adicionales incluyen: Uso de kilowatts hora, capacidad remanente en kilowatts, tiempo de respaldo remanente en minutos, tensión y porcentaje de carga de la batería, tensión y frecuencia de salida, tensión y frecuencia de alimentación, factor de potencia de la carga y porcentaje de carga más capacidad en KVA.

### MODO ECONÓMICO:

Modo económico se refiere a una configuración opcional del UPS para obtener una reducción en el consumo de energía y la salida de calor. Un UPS en modo económico reduce el consumo de energía suspendiendo el proceso de doble conversión [CA a CD / CD a CA] siempre que la energía de alimentación sea siempre de calidad suficientemente alta para pasar a través al equipo conectado sin cambios. El UPS regresará automáticamente al modo en línea si se deteriora la calidad de la alimentación de energía, para asegurar que el equipo conectado recibe energía de alta calidad bajo cualquier condición. Para información de configuración, consulte la sección de Configuración del LCD en Operación.



**ECONOMY MODE**  
LOAD=00% 0.00KW

**LEDs DE MODO ECONÓMICO:** LEDs de INPUT, AC/DC, ECO, OUTPUT encendidos.

**PANTALLA LCD EN MODO ECONÓMICO:** Modo de operación e información de carga del UPS

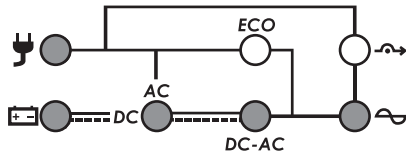
### OPCIONES DE VISUALIZACIÓN DEL LCD DE MODO ECONÓMICO:

Cuando ingrese primero al modo Económico, la pantalla LCD mostrará información de la carga en unidades de porcentaje y kilowatts. Para mostrar pantallas de información adicionales, toque repetidamente el botón SCROLL DOWN ("v"). Las pantallas adicionales incluyen: Uso de kilowatts hora, capacidad remanente en kilowatts, tiempo de respaldo remanente en minutos, tensión y porcentaje de carga de la batería, tensión y frecuencia de salida, tensión y frecuencia de alimentación, factor de potencia de la carga y porcentaje de carga más capacidad en KVA.

## Operación

### MODO DE PRUEBA DE BATERÍA:

Para verificar la operación de respaldo por batería de su UPS, usted puede realizar periódicamente un autodiagnóstico manual o programado del sistema UPS. Para iniciar manualmente un autodiagnóstico mientras el UPS está operando en el modo Económico o En Línea, oprima el interruptor ON/MUTE hasta que se escuche un bip, entonces libérelolo. Se puede configurar el UPS a través de la interfaz de la pantalla LCD del panel frontal para no hacer ninguna prueba o para un auto-diagnóstico semanal o mensual (la configuración original de fábrica es: mensual). El autodiagnóstico puede iniciarse además mediante el software PowerAlert a intervalos determinados por el usuario (Para más información, consulte la documentación del software PowerAlert). Cuando se realice un autodiagnóstico, el UPS conmutará a energía de la batería por unos 10 segundos y regresará automáticamente al modo de CA. Si se encuentra una condición de modo de falla o batería baja, el UPS reportará un mensaje de alarma "BATTERY FAULT" y sonará un bip breve una vez cada dos segundos. Si la batería está correcta, la pantalla regresará al menú anterior.



**BATTERY TEST**  
**LOAD=00% 0.00KW**

**LEDs DE MODO BATERÍA:** LEDs de INPUT, BATTERY, AC/DC, OUTPUT encendidos.

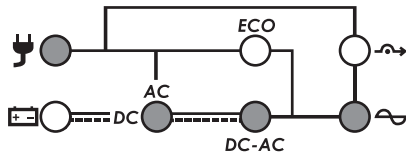
**PANTALLA LCD EN MODO DE BATERÍA:** Información de MODO DE BATERÍA y carga del UPS

### OPCIONES DE VISUALIZACIÓN DEL LCD DE MODO DE PRUEBA DE BATERÍA:

Ninguna—por la duración de la prueba de la batería, la pantalla reportará la información de carga de salida.

### MODO DE CONVERTIDOR FREQ (FRECUENCIA)

Su UPS es compatible con tensión nominal de entrada de 100-127V y 50 o 60 Hz. El UPS se configurará automáticamente para operación de 50 o 60 Hz basado en las condiciones de la energía de la instalación en el arranque y regulará la salida de energía dentro de  $\pm 0.05$  Hz de la frecuencia seleccionada. El sistema UPS tiene además una configuración avanzada que permite conversión continua de frecuencia de 50 Hz a 60 Hz o de 60 Hz a 50 Hz. La configuración avanzada de frecuencia es accesible mediante el LCD, el software PowerAlert incluido o la tarjeta opcional de accesorios interna SNMPWEBCARD. Cuando está activada la conversión continua de frecuencia, la capacidad máxima de salida del sistema UPS es reducida en 30%. Para configurar el UPS para conversión de frecuencia, usted necesitará ajustar las configuraciones en dos pantallas LCD de configuración separadas. OUTPUT FREQUENCY (seleccionar 50 o 60Hz) y FREQ CONVERTER (seleccionar activar o desactivar). Para instrucciones sobre la configuración de estas dos opciones vea la sección de MENÚ DE CONFIGURACIÓN DEL UPS. Cuando el UPS esté funcionando en modo de convertidor de frecuencia, el LED de alimentación destellará para indicar que las operaciones de derivación automática y derivación manual no están disponibles (ya que la derivación permitiría el paso de la frecuencia equivocada a través del equipo conectado).



**FREQ CONVERTER**  
**LOAD=00% 0.00KW**

**LEDs DE MODO DE CONVERTIDOR DE FRECUENCIA:** LEDs de INPUT (destellando), AC/DC, DC/AC Y OUTPUT encendidos.

**PANTALLA LCD DE MODO DE CONVERTIDOR DE FRECUENCIA:** Información de "CONVERTIDOR DE FRECUENCIA" y carga del UPS.

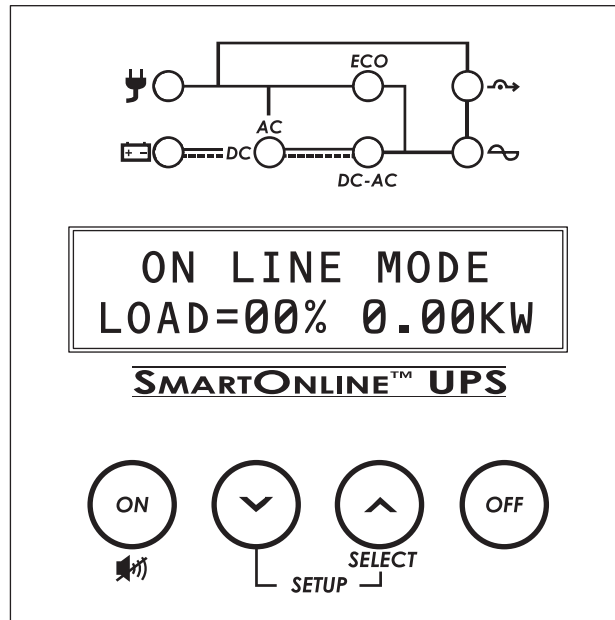
### OPCIONES DE VISUALIZACIÓN DEL LCD DE MODO DE CONVERTIDOR DE FRECUENCIA:

Cuando ingrese primero al modo de Convertidor de Frecuencia, la pantalla LCD mostrará información de la carga en unidades de porcentaje y kilowatts. Para mostrar pantallas de información adicionales, toque repetidamente el botón SCROLL DOWN ("v"). Las pantallas adicionales incluyen: Uso de kilowatts hora, capacidad remanente en kilowatts, tiempo de respaldo remanente en minutos, tensión y porcentaje de carga de la batería, tensión y frecuencia de salida, tensión y frecuencia de alimentación, factor de potencia de la carga y porcentaje de carga más capacidad en KVA.

## Operación

### Pantallas Informativas de LCD

Este UPS está configurado con una pantalla LCD de dos renglones, 32 caracteres para ofrecer información detallada del estado del UPS y opciones de control y configuración.



En la mayoría de los modos de pantalla, el renglón de texto superior identifica el modo actual de operación. Los modos soportados son DERIVACIÓN, EN LÍNEA, EN BATERÍA, ECONÓMICO, CONVERTIDOR DE FRECUENCIA Y EN ESPERA (Para más información acerca de cada modo de operación, ver la sección de MODOS DE OPERACIÓN).

El renglón de texto inferior identifica valores particulares de medición. Para cambiar entre las siete pantallas de medición disponibles, oprima repetidamente el botón SELECT. La pantalla puede estacionarse en un valor particular para un desplegado permanente mientras el UPS esté funcionando en ese modo.

Las nueve pantallas de datos están disponibles para ser monitoreadas desde cada uno de los modos de operación:

#### Modos de Operación (Renglón Superior)

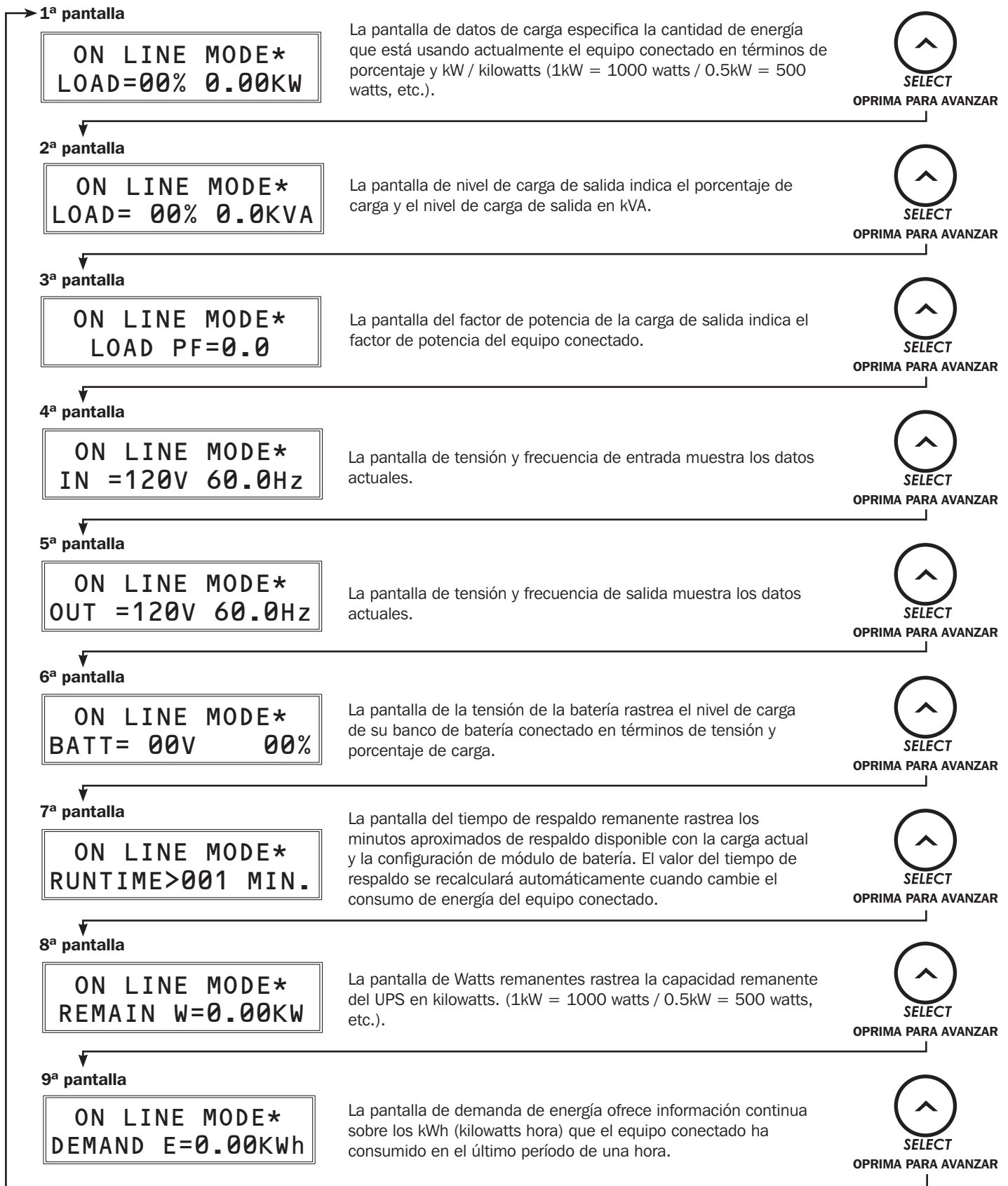
1. MODO EN LÍNEA
2. MODO DE BATERÍA ACTIVA
3. MODO ECONÓMICO
4. MODO STANDBY (en espera)
5. MODO DE BYPASS (DERIVACIÓN)
6. CONVERTIDOR DE FRECUENCIA

#### Pantallas de Datos (Segundo Renglón)

1. PORCENTAJE DE CARGA Y KILOWATTS DE CARGA
2. PORCENTAJE DE CARGA DE SALIDA Y CARGA (KVA)
3. FACTOR DE POTENCIA DE CARGA DE SALIDA
4. TENSIÓN Y FRECUENCIA DE ALIMENTACIÓN
5. TENSIÓN Y FRECUENCIA DE SALIDA
6. TENSIÓN DE BATERÍA Y PORCENTAJE DE CAPACIDAD
7. TIEMPO DE RESPALDO DE BATERÍA (MINUTOS)
8. WATTS/CAPACIDAD REMANENTE
9. DEMANDA DE ENERGÍA EN LA ÚLTIMA HORA (KILOWATTS/HORA)

# Operación

## LCD Status & Supported Measurements



\* El juego de 9 pantallas de información se muestra en el MODO EN LÍNEA, pero puede verse también desde los 6 modos de operación.

## Operación

### Estado de LCD y Medidas Soportadas

Su UPS permite una variedad de opciones avanzadas de configuración que pueden efectuarse mediante el software PowerAlert, la pantalla LCD del panel frontal y el software de Configuración de Batería. Muchas de las configuraciones pueden ajustarse usando uno o más de estos métodos.

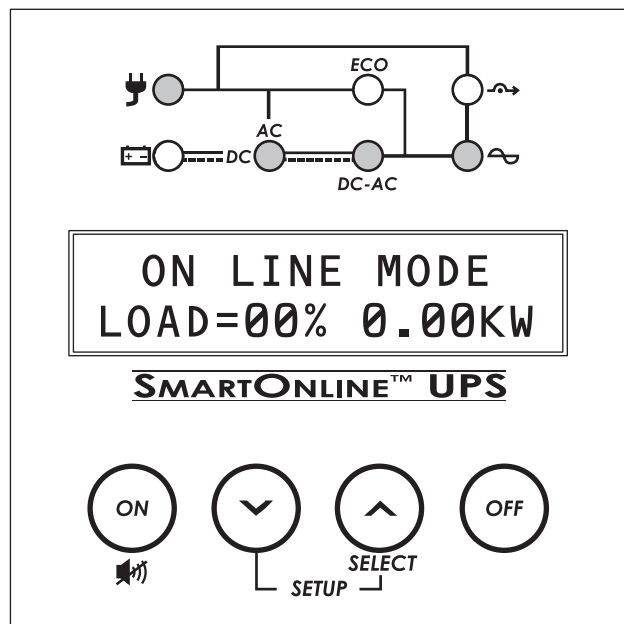
#### 1. Uso del Software PowerAlert

Para configurar el modo económico activo o desactivado puede usarse el software PowerAlert (incluido en el CD o disponible como descarga gratuita en [www.tripplite.com](http://www.tripplite.com)). El software soporta además la programación de la operación en Modo Económico, permitiéndole activar o desactivar el Modo Económico mediante temporizadores.

#### 2. Uso de la Interfaz LCD

Este UPS permite una variedad de opciones de configuración por el usuario a las que se puede acceder mediante la pantalla LCD del panel frontal. Los puntos de configuración e información incluyen:

- |                              |                            |
|------------------------------|----------------------------|
| 1. Tensión de Salida         | 9. Modo económico          |
| 2. Frecuencia de Salida      | 10. Arranque en frío       |
| 3. Rango de Derivación       | 11. Prueba de Batería      |
| 4. Alarma de Sobrecarga      | 12. Batería Externa        |
| 5. Apagado Posterior         | 13. Alarma Sonora          |
| 6. Ahorro de Batería         | 14. De Fábrica por Defecto |
| 7. Modo en Espera            | 15. Histórico de Alarmas   |
| 8. Convertidor de Frecuencia | 16. Información            |



Para acceder a estas opciones de usuario, ingrese al menú de configuración del UPS oprimiendo simultáneamente los botones SCROLL UP y SCROLL DOWN por al menos 3 segundos. La pantalla reportará UPS SET-UP en el renglón superior y EXIT ENTER en el renglón inferior. Ingrese al menú de configuración oprimiendo el botón directamente bajo la palabra "ENTER" en el LCD (el botón SCROLL UP). En el modo de configuración, el segundo renglón identificará siempre la función de los dos botones de exploración ("v" y "^"). Cuando se establece un valor mediante el LCD, la pantalla mostrará un "\*" siguiendo inmediatamente al nuevo valor.

**Muchos puntos de calibración del LCD no pueden ser accedidos en el modo de EN LÍNEA, BATERÍA EN USO, ECONÓMICO o de CONVERTIDOR DE FRECUENCIA. Apague el equipo conectado y coloque el UPS en MODO EN ESPERA antes de ingresar al menú de CONFIGURACIÓN DEL UPS para tener acceso a todo**

En cualquier momento que se ingrese al menú de CONFIGURACIÓN DEL UPS, usted necesitará cambiar a través de las 16 funciones hasta que vea nuevamente la pantalla del menú UPS SET-UP ENTER / EXIT y se oprima EXIT (^). Entonces puede encender el UPS y tendrán efecto todos los puntos cambiados del menú. Más abajo mostraremos el orden de las operaciones en el menú de configuración del UPS y una breve descripción de cada pantalla de configuración.

**Si usted siente que ha habilitado, deshabilitado o especificado valores de calibración avanzada que puedan no ser ideales para su configuración, sólo reestablezca a PREDETERMINADOS DE FÁBRICA para regresar todos los puntos de configuración a la configuración Predeterminada de fábrica.**

*Nota: Los valores en el LCD con un símbolo "\*" adyacente refleja es valor de calibración*



# Operación

## Orden de Configuración de las Operaciones del UPS

Para acceder a las pantallas del UPS, oprima simultáneamente los botones SCROLL (v) y SELECT (^) y sosténgalos por 3 segundos.

### 1 Aparecerá la pantalla de selección de Voltaje de Salida.

OUTPUT VOLTAGE  
SCROLL SELECT



Para avanzar a la siguiente pantalla:  
Oprima SCROLL (v)

Para Cambiar esta Calibración:  
Oprima "SELECT" (^)

Nota: El UPS debe estar en el modo de espera para cambiar esta calibración.

VOLTAJE DE SALIDA se refiere al voltaje nominal de salida del UPS. Este valor se establece normalmente para concordar con el voltaje nominal prevalente en un país o región específica. En general, use 120V para USA y Canadá, 127V para México y 100V para Japón. También hay disponibles valores adicionales de 110 y 115V. Nota: Algunas selecciones de voltaje causarán una reducción automática.

120V\*  
SCROLL SELECT

Para seleccionar este valor oprima "SELECT" (^). Para avanzar a la siguiente opción oprima "SCROLL" (v). Los valores disponibles son: 60Hz, 50Hz

Para explorar opciones oprima SCROLL (v) y oprima SELECT (^) para seleccionar. Predeterminado de fábrica = 120V

### 2 Aparecerá la pantalla de Frecuencia de Salida.

OUTPUT FREQUENCY  
SCROLL SELECT



Para avanzar a la siguiente pantalla:  
Oprima SCROLL (v)

Para Cambiar esta Calibración:  
Oprima "SELECT" (^)

Nota: El UPS debe estar en el modo de espera para cambiar esta calibración.

FRECUENCIA DE SALIDA se refiere a los ciclos por segundo (Hz) de la energía de salida del UPS. Este valor se establece normalmente para concordar con la frecuencia prevalente en un país o región específica. En general, en los USA, Canadá y México use la calibración de fábrica de 60Hz. En ubicaciones de 100-127V 50Hz, como Jamaica, Antigua y partes de Japón, calibre el UPS a 50Hz. Para configurar exitosamente su UPS para convertir la frecuencia de 50-a-60Hz o 60-a-50Hz, calibre la frecuencia de salida al valor deseado y active esta función seleccionando la conversión de frecuencia en activar.

60HZ\*  
SCROLL SELECT

Para seleccionar este valor oprima "SELECT" (^). Para avanzar a la siguiente opción oprima "SCROLL" (v). Los valores disponibles son: 60Hz, 50Hz

Para explorar opciones oprima SCROLL (v) y oprima SELECT (^) para seleccionar. Predeterminado de fábrica = 120V

### 3 Aparecerá la pantalla de Rango de Rodeo.

BYPASS RANGE  
SCROLL SELECT



Para avanzar a la siguiente pantalla:  
Oprima SCROLL (v)

Para Cambiar esta Calibración:  
Oprima "SELECT" (^)

RANGO DE BYPASS (Rodeo): Cuando el Modo Económico esté activado, este UPS permitirá que el voltaje de línea que ya sea de calidad suficiente pase sin cambio a través al equipo conectado. El control de rango de rodeo proporciona a los usuarios la capacidad de controlar el monto de desviación del voltaje nominal antes de regresar automáticamente al modo en línea. La calibración de fábrica WIDE es compatible con la gran mayoría de equipos de red. Usando este control, los usuarios de equipo más sensible pueden utilizar el UPS en Modo Económico seleccionando valores de preconfiguración alternativos. Sin importar el valor de "más o menos" ingresado, el voltaje más alto de rodeo disponible es de 135V. El voltaje de rodeo más bajo disponible es 90V (a plena carga) y 70V (<70% de carga). El rango WIDE [Amplio] refleja estos mismos valores (carga plena 90 a 135V / <70% de carga 70 a 135V).

WIDE\*  
SCROLL SELECT

Para seleccionar este valor oprima "SELECT" (^). Para avanzar a la siguiente opción oprima "SCROLL" (v). Los valores disponibles son: +/-5, 6, 7, 8, 9, 10, 11, 12, 13, 14, 15% y Amplio

Para explorar opciones oprima SCROLL (v) y oprima SELECT (^) para seleccionar. Predeterminado de fábrica = WIDE (AMPLIO)

Continúa en la página 50

## Operación

### 4 Aparecerá la pantalla de ALARMA DE SOBRECARGA.

OVERLOAD ALARM  
SCROLL SELECT

LA ALARMA DE SOBRECARGA se refiere al punto en que el UPS sonará su alarma de sobrecarga. La calibración de fábrica de 105% proporcionará advertencias de sobrecarga adecuadas para la mayoría de aplicaciones, pero están disponibles valores alternativos de 5% al 105% predeterminado (en intervalos de 5%) para configuraciones personalizadas.



Para avanzar a la siguiente pantalla:  
Oprima SCROLL (v)

Para Cambiar esta Calibración:  
Oprima "SELECT" (^)

105%\*  
SCROLL SELECT

Para seleccionar este valor oprima "SELECT" (^).  
Para avanzar a la siguiente opción oprima "SCROLL" (v). Los valores disponibles son: 5 a 150% (en intervalos de 5%)  
Para explorar opciones oprima SCROLL (v) y oprima SELECT (^) para seleccionar.  
Predeterminado de fábrica = 105%

### 5 Aparecerá la pantalla de Apagado Posterior.

SHUTDOWN AFTER  
SCROLL SELECT

APAGADO POSTERIOR se refiere a la cantidad de tiempo de autonomía que proporcionará el UPS en una falla de energía antes de apagarse. Para aplicaciones donde se desea lo mayor posible es adecuada la configuración de fábrica o desactivado. En casos en que se requiere un tiempo específico (y no más), usted puede configurar el valor de apagado posterior a un número específico entre 5 y 90 minutos (en intervalos de 5 minutos), usando este control.



Para avanzar a la siguiente pantalla: Oprima SCROLL (v)

Para Cambiar esta Calibración:  
Oprima "SELECT" (^)

DISABLE\*  
SCROLL SELECT

Para seleccionar este valor oprima "SELECT" (^).  
Para avanzar a la siguiente opción oprima "SCROLL" (v). Los valores disponibles son: 5 a 90 minutos (en intervalos de 5 minutos)  
Para explorar opciones oprima SCROLL (v) y oprima SELECT (^) para seleccionar.  
Predeterminado de fábrica = DISABLE (DESACTIVADO)

### 6 Aparecerá la pantalla de AHORRO DE BATERÍA.

BATTERY SAVE  
SCROLL SELECT

La opción de AHORRO DE ENERGÍA activa el modo de apagado automático del UPS en modo de batería si no se requiere funcionamiento continuo. Esta operación evita la descarga innecesaria de la batería apagando el UPS cuando el nivel de carga desciende por debajo de un porcentaje seleccionable por el usuario durante 10 minutos continuos. Las calibraciones están disponibles para activar el apagado a niveles de carga entre 5% y 95% (en incrementos del 5%). Esta función es ideal para configuraciones de UPS no monitoreadas en donde el equipo conectado consume una cantidad significativa de la capacidad del UPS pero se apaga a continuación o cuando los dispositivos están conectados al un UPS pero no están encendidos al inicio y, por lo tanto, no requieren respaldo por batería. Los usuarios pueden determinar la calibración del porcentaje ideal monitoreando la pantalla de nivel de carga del LCD del UPS para un consumo de potencia típico en modos de operación y paro. Por ejemplo, si su equipo consume normalmente del 40 al 100% de la capacidad del UPS mientras funciona, pero cae al 3% una vez apagado, un porcentaje de AHORRO DE BATERÍA del 5% sería ideal. Una vez que el consumo de potencia del equipo conectado cae por debajo del porcentaje seleccionado durante 10 minutos continuos, el UPS se apagará automáticamente, evitando una descarga innecesaria de la batería. La posición por defecto para esta opción es DESACTIVADA.



Para avanzar a la siguiente pantalla:  
Oprima SCROLL (v)

Para Cambiar esta Calibración:  
Oprima "SELECT" (^)

DISABLE\*  
SCROLL SELECT

Para seleccionar este valor oprima "SELECT" (^).  
Para avanzar a la siguiente opción oprima "SCROLL" (v). Los valores disponibles son: 5 a 95% (en intervalos de 5%)  
Para explorar opciones oprima SCROLL (v) y oprima SELECT (^) para seleccionar.  
Predeterminado de fábrica = DISABLE (DESACTIVADO)

Continúa en la página 51

## Operación

### 7 Aparecerá la pantalla de MODO EN ESPERA.

STANDBY MODE  
SCROLL SELECT



Para avanzar a la siguiente pantalla:  
Oprima SCROLL (v)

Para Cambiar esta Calibración:  
Oprima "SELECT" (^)

*Nota: El UPS debe estar en el modo de en espera para cambiar esta calibración.*

La pantalla de MODO EN ESPERA permite a los usuarios habilitar al UPS para proporcionar energía de salida cuando opera en modo en espera. La configuración de fábrica para el modo en espera es SIN SALIDA. En esta configuración, la pantalla cambiará a STANDBY MODE / PRESS ON KEY TO TURN UPS ON

*Nota: Para habilitar la salida derivada de energía en modo de en espera, seleccione BYPASS OUTPUT en la pantalla de configuración de modo en espera. En esta configuración, la pantalla cambiará a BYPASS MODE / PRESS ON KEY TO TURN UPS ON*

NO OUTPUT\*  
SCROLL SELECT

Para seleccionar este valor oprima "SELECT" (^). Para avanzar a la siguiente opción oprima "SCROLL" (v). Los valores disponibles son: SIN SALIDA Y SALIDA DERIVADA

Para explorar opciones oprima SCROLL (v) y oprima SELECT (^) para seleccionar. Predeterminado de fábrica = NO OUTPUT (SIN SALIDA)

### 8 Aparecerá la pantalla de CONVERTIDOR DE FRECUENCIA.

FREQ CONVERTER  
SCROLL SELECT



Para avanzar a la siguiente pantalla:  
Oprima SCROLL (v)

Para Cambiar esta Calibración  
Oprima "SELECT" (^)

*Nota: El UPS debe estar en el modo de en espera para cambiar esta calibración.*

CONVERTIDOR DE FRECUENCIA se refiere a la capacidad del UPS para convertir 60Hz a 50Hz o 50Hz a 60Hz. El sistema selecciona automáticamente la operación a 50 Hz or 60 Hz en base a las condiciones al arranque de la energía de la instalación. La configuración de fábrica de desactivado es ideal para la mayoría de las aplicaciones. Algunos usuarios pueden desear convertir frecuencia para el equipo conectado. Para configurar exitosamente su UPS para conversión de frecuencia, active la función de convertidor de frecuencia y configure la función de frecuencia de salida al valor deseado de 50 o 60 Hz.

DISABLE\*  
SCROLL SELECT

Para seleccionar este valor oprima "SELECT" (^). Para avanzar a la siguiente opción oprima "SCROLL" (v). Los valores disponibles son: ACTIVADO, DESACTIVADO

Para explorar opciones oprima SCROLL (v) y oprima SELECT (^) para seleccionar. Predeterminado de fábrica = DISABLE (DESACTIVADO)

### 9 Aparecerá la pantalla de MODO ECONÓMICO.

ECONOMY MODE  
SCROLL SELECT



Para avanzar a la siguiente pantalla:  
Oprima SCROLL (v)

Para Cambiar esta Calibración:  
Oprima "SELECT" (^)

El MODO ECONÓMICO es una configuración del UPS que activa la mejora de eficiencia y reduce la salida de calor suspendiendo los circuitos de doble conversión siempre que la energía de alimentación ya sea de la calidad suficiente para operar el equipo conectado. En modo económico, el UPS consulta la calibración actual de rango de rodeo (+/-5% to 10%). Cuando el voltaje de alimentación se desvía del porcentaje seleccionado preestablecido, el UPS cambiará automáticamente al modo en línea. Cuando el voltaje de alimentación regresa a valores dentro del rango de rodeo, el UPS regresará automáticamente al modo económico. <0}

DISABLE\*  
SCROLL SELECT

Para seleccionar este valor oprima "SELECT" (^). Para avanzar a la siguiente opción oprima "SCROLL" (v). Los valores disponibles son: ACTIVADO, DESACTIVADO

Para explorar opciones oprima SCROLL (v) y oprima SELECT (^) para seleccionar. Predeterminado de fábrica = DISABLE (DESACTIVADO)

Continúa en la página 52

## Operación

### 10 Aparecerá la pantalla de ARRANQUE EN FRÍO.

COLD START  
SCROLL SELECT



Para avanzar a la siguiente pantalla:  
Oprima SCROLL (v)

Para Cambiar esta Calibración:  
Oprima "SELECT" (^)

*Nota: El UPS debe estar en el MODO DE BATERÍA para tener acceso a DESACTIVAR EL ARRANQUE EN FRÍO.*

ARRANQUE EN FRÍO se refiere a la capacidad de que un UPS se encienda en modo de batería para una operación temporal durante una falla de energía. Para arrancar en frío su UPS, oprima y mantenga oprimido el botón ON hasta que escuche un bip, y luego suéltelo. La DESACTIVACIÓN DEL ARRANQUE EN FRÍO está disponible en base a "una vez" para prevenir un inicio accidental mientras que el UPS se encuentre almacenado o en tránsito. Una vez que se ajusta el ARRANQUE EN FRÍO a DESACTIVADO, el UPS no puede arrancarse en frío nuevamente hasta que se conecte a un tomacorrientes con una salida CA válida. Para DESACTIVAR EL ARRANQUE EN FRÍO para embarque o almacenamiento, ingrese al menú de CONFIGURACIÓN DEL UPS cuando el UPS esté funcionando en el MODO DE BATERÍA y elija DESACTIVAR (la opción de arranque en frío no se puede desactivar en ningún otro modo). A continuación, oprima y mantenga oprimido el botón OFF y empaque el UPS para embarque o almacenamiento.

*Nota: Si se desactiva el arranque en frío con una entrada de CA válida presente, la pantalla LCD mostrará el mensaje "SE ACTIVARÁ CON UNA CA VÁLIDA". El UPS activará automáticamente el arranque en frío en cuanto se detecte una entrada de voltaje CA válido.*

ENABLE\*  
SCROLL SELECT

Para seleccionar este valor oprima "SELECT" (^). Para avanzar a la siguiente opción oprima "SCROLL" (v). Los valores disponibles son: ACTIVADO, DESACTIVADO

Para explorar opciones oprima SCROLL (v) y oprima SELECT (^) para seleccionar. Predeterminado de fábrica = DISABLE (DESACTIVADO)

### 11 Aparecerá la pantalla de PRUEBA DE BATERÍA.

BATTERY TEST  
SCROLL SELECT



Para avanzar a la siguiente pantalla:  
Oprima SCROLL (v)

Para Cambiar esta Calibración:  
Oprima "SELECT" (^)

PRUEBA DE BATERÍA se refiere a la capacidad del UPS de ejecutar autodiagnósticos regulares del sistema de batería. Durante la operación de la Prueba de Batería, el UPS conmutará momentáneamente al modo de batería y alertará a los usuarios de potenciales condiciones de falla operativa del UPS o relacionadas con la batería. La configuración de fábrica MONTHLY [mensual] es ideal para la mayoría de las aplicaciones. También están disponibles las opciones de semanal y desactivado.

MONTHLY\*  
SCROLL SELECT

Para seleccionar este valor oprima "SELECT" (^). Para avanzar a la siguiente opción oprima "SCROLL" (v). Los valores disponibles son: SEMANAL, MENSUAL, SIN PRUEBA

Para explorar opciones oprima SCROLL (v) y oprima SELECT (^) para seleccionar. Predeterminado de fábrica = MONTHLY (MENSUAL)

### 12 Aparecerá la pantalla de selección de TIPO DE BATERÍA EXTERNA.

EXTERNAL BATT  
SCROLL SELECT



Continúa en la página 53

TIPO DE BATERÍA EXTERNA se refiere a la capacidad de que el UPS detecte a cual módulo de batería externa está conectado para mejorar la exactitud en la cuenta regresiva de los MINUTOS DE AUTONOMÍA durante una falla de la energía. La interfaz de LCD soporta la adición de un solo módulo de batería externa seleccionando el número de parte del sistema de batería usando la pantalla LCD. Su sistema UPS también puede configurarse para modelos adicionales de módulos de batería o múltiples módulos de batería, cuando los soporta, pero estas configuraciones requieren el uso del software de HERRAMIENTA DE CONFIGURACIÓN DE LA BATERÍA EXTERNA disponible en la sección de soporte de <http://www.tripplite.com/bpconfig>.

## Operación

**Para avanzar a la siguiente pantalla:**  
Oprima SCROLL (v) (^)

**Para Cambiar esta Calibración:**  
Oprima "SELECT"

NO BP\*  
SCROLL SELECT

Para seleccionar este valor oprima "SELECT" (^).  
Para avanzar a la siguiente opción oprima "SCROLL" (v).  
Los valores disponibles son:

MODELO DE UPS	Predeterminado de Fábrica	Configuración mediante LCD		Configuración a través del software HERRAMIENTA DE CONFIGURACIÓN DE LA BATERÍA EXTERNA
		Opción de módulo de batería 1	Opción de módulo de batería 2	Opción 3 del módulo de batería (HERRAMIENTA BP en la pantalla LCD)
SU750RTXLCD2U	NO BP	BP24V15RT2U	BP24V28-2U	BP24V70RT3U (para cualquier número)
SU1000RTXLCD2U	NO BP	BP24V15RT2U	BP24V28-2U	BP24V70RT3U (para cualquier número)
SU1500RTXLCD2U	NO BP	BP48V24-2U	BP48V60RT3U	BP48V60RT3U (para más de uno)
SU2200RTXLCD2U	NO BP	BP48V24-2U	BP48V60RT3U	BP48V60RT3U (para más de uno)
SU3000RTXLCD3U	NO BP	BP72V15-2U	BP72V28RT-3U	BP48V60RT3U (para más de uno)

Busque a través de los valores disponibles SELECT (^) to SET.  
Predeterminado de Fábrica = SIN BATERÍA

Si planea utilizar su UPS con la opción de módulo de batería externa, listada antes como opción de módulo de batería 3, se requiere del software HERRAMIENTA DE CONFIGURACIÓN DE BATERÍA EXTERNA. Después de usar el software de HERRAMIENTA DE CONFIGURACIÓN DE BATERÍA EXTERNA, el UPS mostrará en la pantalla LCD la configuración resultante como "BP TOOL" [herramienta de módulo de batería]. BP TOOL se presenta como una opción visible en la pantalla LCD, pero no es seleccionable por sí misma (si se intenta la selección de BP TOOL, la pantalla reportará "READ ONLY [sólo lectura]. SELECT BY BP TOOL" [SELECCIONE POR BP TOOL] para confirmar que la selección no ha sido aceptada). El software de la HERRAMIENTA DE CONFIGURACIÓN DE BATERÍA EXTERNA es una aplicación únicamente para Windows y requiere una conexión de cable serial al UPS para operar. Visite <http://www.tripplite.com/bpconfig> para descargar el software.

Modelos de Módulo de Batería que Requieren el Uso del Software de Configuración de Batería Externa:

MODELO DE UPS	MODELO DE MÓDULO DE BATERÍA
SU750RTXLCD2U	BP24V70RT3U (para cualquier cantidad)
SU1000RTXLCD2U	BP24V70RT3U (para cualquier cantidad)
SU1500RTXLCD2U	BP48V60RT3U (para más de 1)
SU2200RTXLCD2U	BP48V60RT3U (para más de 1)
SU3000RTXLCD3U	BP72V28RT3U (para más de 1)

### 13 Aparecerá la pantalla de selección de PREDETERMINADO DE FÁBRICA.

FACTORY DEFAULT  
SCROLL SELECT



**Para avanzar a la siguiente pantalla:**  
Oprima SCROLL (v)

**Para Cambiar esta Calibración:**  
Oprima "SELECT" (^)

*Nota: El UPS debe estar en el modo de en espera para cambiar esta calibración.*

NO  
SCROLL SELECT

Para seleccionar este valor oprima "SELECT" (^).  
Para avanzar a la siguiente opción oprima "SCROLL" (v). Los valores disponibles son:  
Para explorar opciones oprima SCROLL (v) y oprima SELECT (^) para seleccionar.  
Predeterminado de fábrica = MENSUAL  
(MENSUAL) Defecto de la fábrica = Ningunos

Continúa en la página 54

## Operación

### 14 Aparecerá la pantalla de ALARMA ACÚSTICA.

AUDIBLE ALARM  
SCROLL SELECT



Para avanzar a la siguiente pantalla:  
Oprima SCROLL (v)

Para Cambiar esta Calibración:  
Oprima "SELECT" (^)

La pantalla de ALARMA ACÚSTICA le proporciona al usuario la capacidad de activar o desactivar permanentemente la alarma acústica del UPS en caso de un evento de alarma. La configuración de fábrica de activado es ideal para la mayoría de las aplicaciones. Algunas aplicaciones pueden requerir desactivar la alarma, en cuyo caso puede seleccionarse la opción de desactivado.

ENABLE\*  
SCROLL SELECT

Para seleccionar este valor oprima "SELECT" (^).  
Para avanzar a la siguiente opción oprima "SCROLL" (v). Los valores disponibles son: ACTIVADO, DESACTIVADO

Para explorar opciones oprima SCROLL (v) y oprima SELECT (^) para seleccionar.  
Predeterminado de fábrica = ENABLE (ACTIVADO)

### 15 Aparecerá la pantalla de HISTÓRICO DE ALARMA.

ALARM HISTORY  
SCROLL SELECT



Para avanzar a la siguiente pantalla:  
Oprima SCROLL (v)

Para Cambiar esta Calibración:  
Oprima "SELECT" (^)

EL HISTÓRICO DE ALARMA despliega hasta 5 eventos de alarma. Las alarmas posibles incluyen CHARGER FAULT, FAN FAULT, OVER TEMP, +/-DC BUS HIGH/LOW, BUS OVP, INVERTER FAULT, BATTERY FAULT, DC-DC FAULT, OVERLOAD, O/P SHORT, NO BATTERY, SITE WIRE FAULT, BYPASS VOLT BAD, BYPASS FREQ BAD, INPUT OVERCURRENT y BATTERY LOW.

1: OVERLOAD  
SCROLL SELECT

Para seleccionar este valor oprima "SELECT" (^).  
Para avanzar a la siguiente opción oprima "SCROLL" (v). Los valores disponibles son: ALARM HISTORY 1-5 y BORRAR

Para explorar opciones oprima SCROLL (v) y oprima SELECT (^) para seleccionar.

### 16 Aparecerá la pantalla de INFORMACIÓN

INFORMATION  
SCROLL SELECT



Para avanzar a la siguiente pantalla:  
Oprima SCROLL (v)

Para Cambiar esta Calibración:  
Oprima "SELECT" (^)

INFORMACIÓN se refiere a una serie de 3 pantallas informativas que son visibles mediante la interfaz de LCD: Versión de Firmware, número de serie del UPS y dirección IP de SNMP. Estos valores son sólo para visualización y no pueden modificarse mediante la interfaz de LCD

FW VER:FW####  
SCROLL SELECT

Para seleccionar este valor oprima "SELECT" (^).  
Para avanzar a la siguiente opción oprima "SCROLL" (v). Los valores disponibles son: FIRMWARE VERSION, UPS SERIAL #, SNMP IP ADDRESS

Para explorar opciones oprima SCROLL (v) y oprima SELECT (^) para SALIR.

Continúa en la página 55

## Operación

### 17 Aparecerá la pantalla ORIGINAL UPS SET-UP EXIT/ENTER



Oprima EXIT para salir de la sección de CONFIGURACIÓN DEL UPS.

Oprima ENTER para reingresar a las pantallas de CONFIGURACIÓN DEL UPS.

## Solución de Problemas

Para explicación de códigos de error que aparecen en el historial de alarmas de la pantalla de LCD de calibración del UPS, así como las soluciones propuestas para cada error, vea la siguiente tabla.

Pantalla LCD	Descripción	Solución
<b>OVERLOAD</b>	La carga excede la capacidad del UPS.	Disminuir la carga conectada.
<b>O/P SHORT</b>	La salida del UPS está en corto.	Elimine la causa del corto circuito de la salida del UPS.
<b>NO BATTERY</b>	La batería no está conectada al UPS	Compruebe la conexión de la batería interna.
<b>SITE WIRING FAULT</b>	La conexión a la línea de alimentación no está correcta.	Compruebe la línea de alimentación para detectar problemas de cableado como líneas invertidas y un neutro o tierra faltante.
<b>BATTERY FAULT</b>	El UPS reportará una falla de batería si encuentra que las baterías están débiles después de realizar un autodiagnóstico.	Deje que el sistema UPS cargue por al menos 12 horas y realice la prueba de batería usando el botón ON/MUTE como se describe en la sección de Características. Si la segunda prueba también resulta en un mensaje de falla de batería, reemplace las baterías y/o consulte con Tripp Lite. Nota: El mensaje de falla de batería siempre está acompañado por una alarma acústica que suena a intervalos de 2 segundos.
<b>OVER TEMP</b>	La temperatura interna del UPS es superior al límite.	Compruebe el UPS para asegurar que haya espacio adecuado para la circulación de aire cerca de las ventilas y que el ventilador trabaja apropiadamente. Cerciórese de que el UPS esté en un ambiente de 0-40°C / 32-104°F.
<b>CHARGER FAULT</b>	Existen problemas con el circuito del cargador.	Si el problema continúa, consulte con Tripp Lite.
<b>FAN FAULT</b>	Existen problemas con el ventilador.	Verifique si algún material obstruye la rotación del ventilador. Retire el material. Si el problema continúa, consulte con Tripp Lite.
<b>+/-DC BUS HIGH/LOW</b>	El voltaje del bus interno de CD es demasiado alto o demasiado bajo.	Si el problema continúa, consulte con Tripp Lite.
<b>BUS OVP</b>	La voltaje del bus interno de CD es demasiado alto.	Si el problema continúa, consulte con Tripp Lite.
<b>INVERT FAULT</b>	Existen problemas con el circuito del inversor.	Si el problema continúa, consulte con Tripp Lite.
<b>DC-DC FAULT</b>	Existen problemas con el circuito del convertidor de CD-CD.	Si el problema continúa, consulte con Tripp Lite.
<b>I/P OVER CURRENT</b>	Estos son problemas con el PFC o con el circuito INV.	Si el problema continúa, consulte con Tripp Lite.

## Reemplazo de la Batería Interna

**Puerta de Reemplazo de Batería:** Bajo condiciones normales, la batería original en su UPS durará varios años. El reemplazo de la batería debe ser realizado sólo por personal de servicio calificado. Refiérase a "Advertencias de Batería" en la sección de Seguridad. Si requiere una batería de reemplazo, puede encontrarla en [www.tripplite.com/support/battery/index.cfm](http://www.tripplite.com/support/battery/index.cfm). Vea la tabla siguiente para encontrar la batería de reemplazo correcta para su sistema UPS:

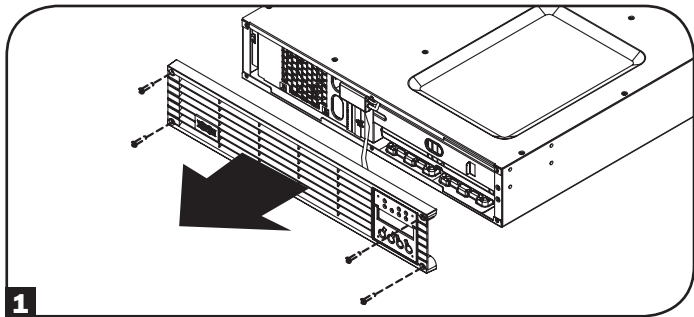
Modelo de UPS	Cartucho de batería de reemplazo
SU750RTXLCD2U	RBC24V-LCD
SU1000RTXLCD2U	RBC24V-LCD
SU1500RTXLCD2U	RBC94-2U
SU2200RTXLCD2U	RBC94-2U
SU3000RTXLCD3U	RBC96-3U

Para los procedimientos de desinstalación e instalación de la batería, vea los diagramas siguientes.

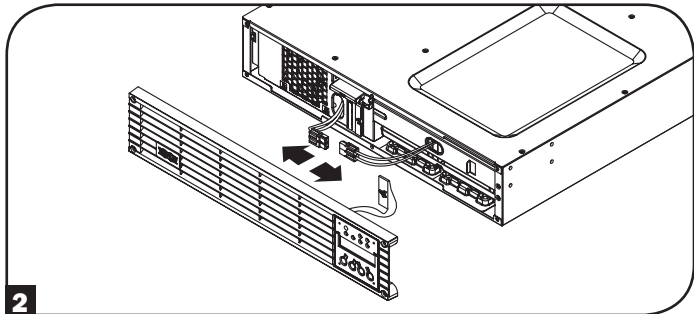
### Modelos de 2U

*Nota: Se muestra el SU1500RTXLCD2U, pero el procedimiento es el mismo para todas las otras unidades de 2U*

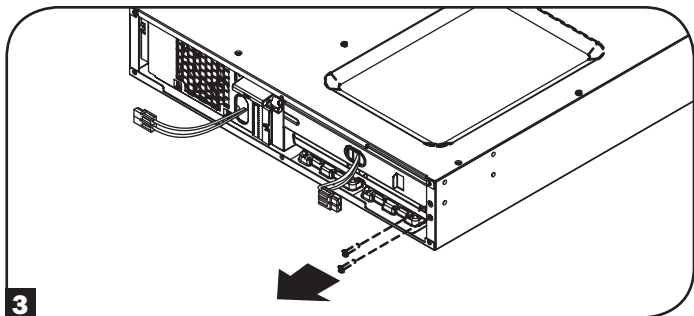
- 1** Retire los 4 tornillos frontales del panel frontal y retírelo. Desenchufe los conectores del LCD para removerlo completamente.



- 2** Abra el soporte del conector blanco. Desconecte el conector que está dentro del soporte del conector blanco.



- 3** Retire los dos tornillos que sujetan la barra metálica en su lugar (detrás del panel frontal en el lado derecho). Deslice la barra metálica a la izquierda y remuevala del UPS.

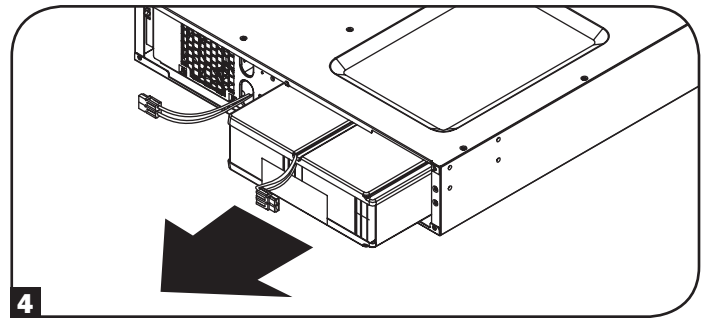




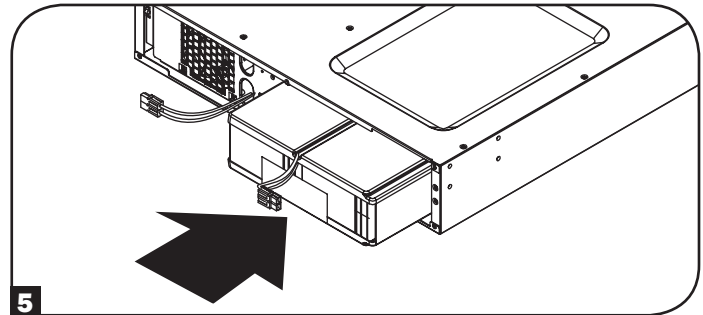
## Reemplazo de la Batería Interna

- 4** Retire las baterías jalando la lengüeta.

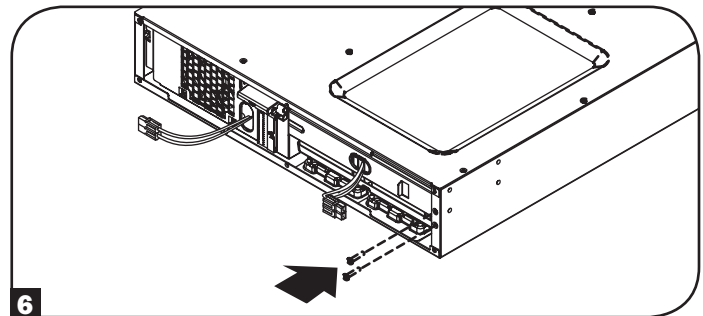
*Nota: Memorice por favor la posición y orientación original de la batería para asegurar que instala correctamente las nuevas baterías.*



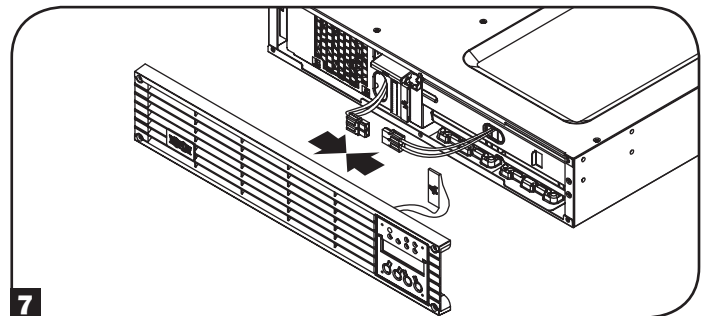
- 5** Inserte el nuevo juego de batería en el UPS en la misma posición que el juego original.



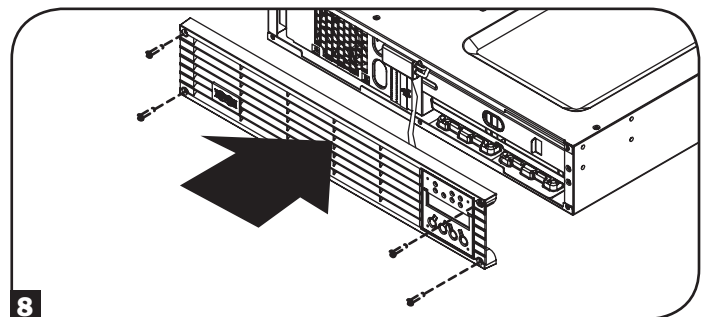
- 6** Recoloque la barra metálica. Recoloque los dos tornillos en el lado derecho que sostienen la barra metálica en su lugar.



- 7** Reconecte el conector de CD (rojo a rojo, negro a negro) y cierre el sujetador del conector blanco.



- 8** Reconecte el conector de la pantalla LCD en el bisel. Reemplace los 4 tornillos frontales para asegurar el bisel.

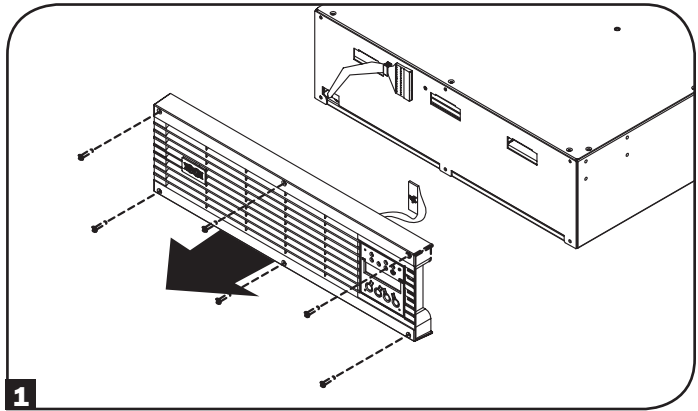


# Reemplazo de la Batería Interna

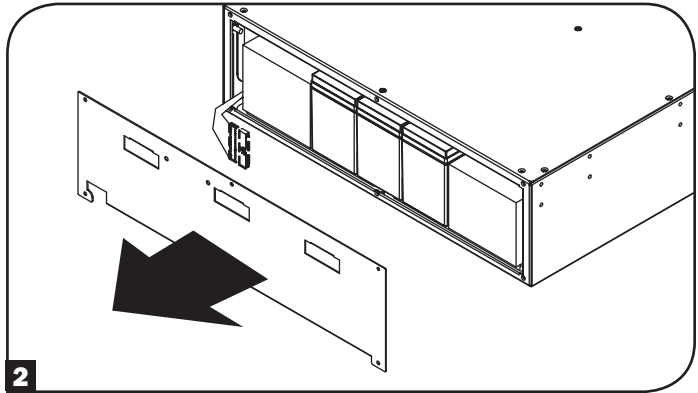
## Modelos de 3U

*Nota: La configuración de la batería en los modelos de 3U es más compleja y se recomienda que sólo personal calificado ejecute esta operación.*

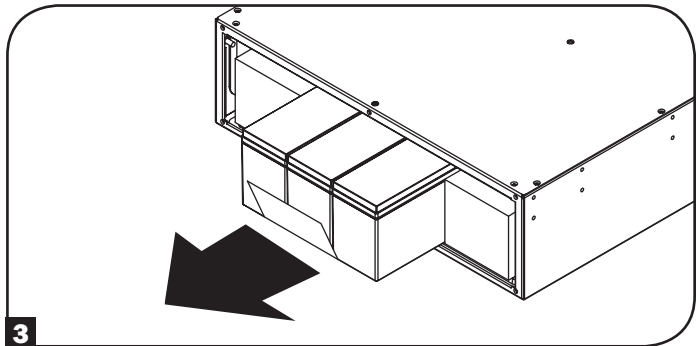
- 1** Retire los 6 tornillos frontales del panel frontal y retírelo. Desenchufe los conectores del LCD para removerlo completamente.



- 2** Retire la placa metálica inmediatamente detrás del panel frontal.

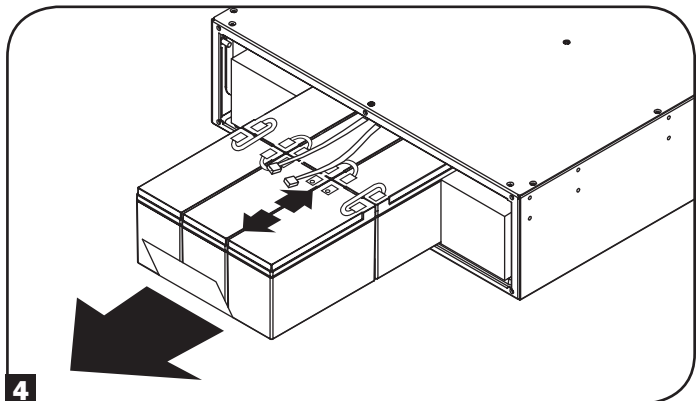


- 3** Use la lengüeta para jalar el juego de baterías hacia usted.  
*Nota: Memorice por favor la posición y orientación original de las baterías para asegurar que instala correctamente las nuevas baterías.*



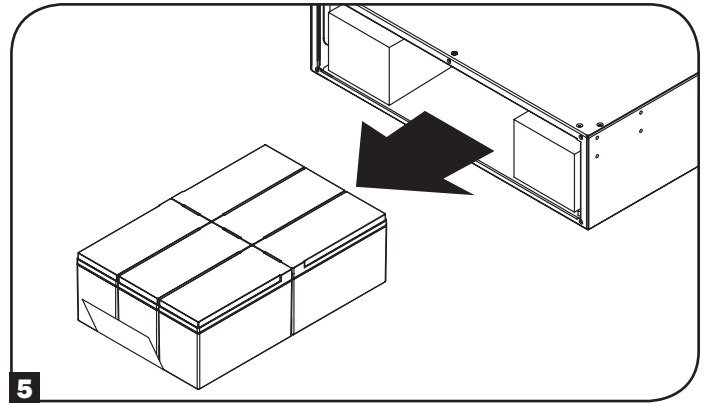
- 4** Desconecte los conectores negro y rojo que conectan a la batería desde la parte posterior del UPS.

*Nota: Existen otros juegos de cables conectando las baterías a otras baterías en el juego, pero los conectores que conectan el juego de baterías al sistema UPS son aquellos que necesitan desconectarse para el reemplazo de batería.*

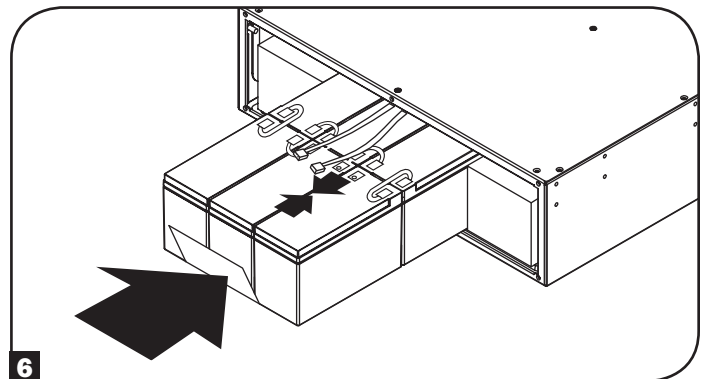


## Reemplazo de la Batería Interna

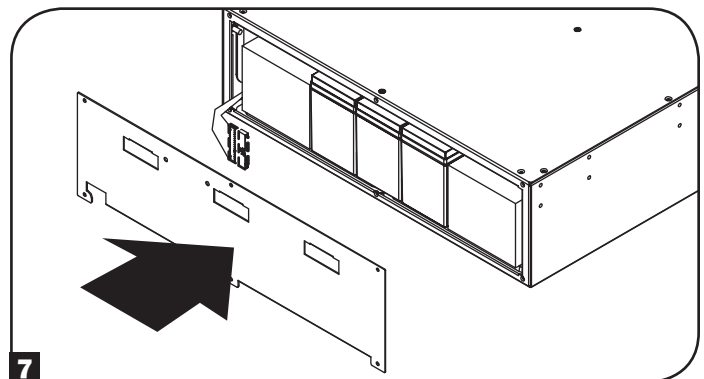
**5** Retire las baterías jalando la lengüeta.



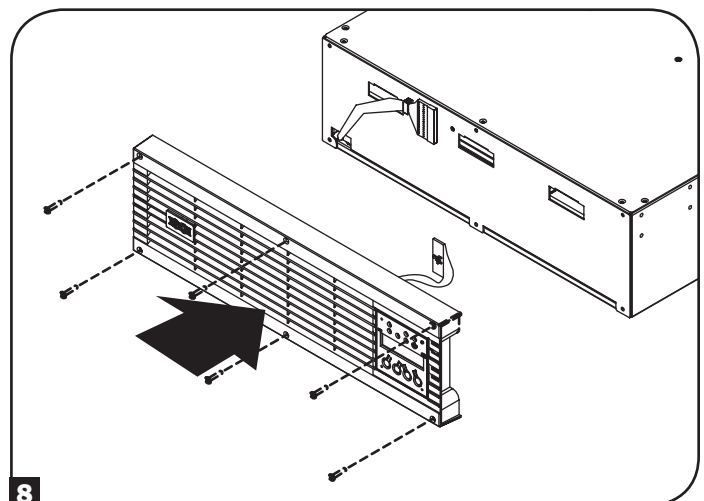
**6** Inserte el nuevo juego de baterías en el UPS en la misma posición que el juego original. Reconecte los cables rojo y negro en el nuevo juego de baterías.



**7** Recoloque la placa metálica. Recoloque los dos tornillos en el lado derecho que sostienen la barra metálica en su lugar.



**8** Reconecte el conector de la pantalla LCD en el panel frontal. Reemplace los 6 tornillos frontales para asegurar el panel frontal.



## Almacenamiento y Servicio

### Almacenamiento

Apague primero su UPS: oprima el interruptor "OFF" para apagar las salidas del UPS, desconecte entonces el cable de alimentación del tomacorriente de pared. A continuación, desconecte todo el equipo para evitar descarga de la batería. Si planea almacenar su UPS por un período de tiempo prolongado, recargue completamente las baterías del UPS una vez cada tres meses conectando el UPS en un tomacorriente activo de CA dejándolo cargar por 4-6 horas. Si deja sus baterías de UPS descargadas por un período prolongado, pueden sufrir una pérdida de capacidad permanente.

### Servicio

Tripp Lite también pone a disposición una variedad de garantías extendidas y programas de servicio en el sitio. Para obtener más información sobre mantenimiento, visite [www.tripplite.com/support](http://www.tripplite.com/support). Antes de enviar el producto a mantenimiento, siga estos pasos:

1. Revise los procedimientos de instalación y operación descritos en este manual para asegurarse de que el problema de servicio no se origina en una mala comprensión de las instrucciones.
2. Si el problema continúa, no se comunique ni devuelva el producto al distribuidor. En vez de eso, visite [www.tripplite.com/support](http://www.tripplite.com/support).
3. Si el problema requiere servicio, visite [www.tripplite.com/support](http://www.tripplite.com/support) y haga clic en el enlace Devolución de productos. Aquí puede solicitar un número de autorización de devolución de mercancía (RMA), que es necesario para el servicio. En este simple formulario en línea se le pedirá el modelo y números de serie de su unidad, junto con otra información general sobre el comprador. El número RMA y las instrucciones para el envío se le enviarán por correo electrónico. Esta garantía no cubre ningún daño (directo, indirecto, especial o consecencial) que el producto sufra durante el envío a Tripp Lite o un centro de servicio autorizado por Tripp Lite. Los productos que se envían a Tripp Lite o un centro de servicio autorizado por Tripp Lite debe tener prepagos los cargos de envío. Escriba el número RMA en el exterior del paquete. Si el producto se encuentra dentro del período de garantía, adjunte una copia del recibo de venta. Envíe el producto para servicio a través de un transportador asegurado a la dirección que se le proporcione cuando solicite el RMA.

**Conformidad con las regulaciones sobre números de identificación:** Con el objeto de cumplir con las regulaciones de certificaciones e identificación, a su producto Tripp Lite se le ha asignado un número de serie único. Puede encontrar el número de serie en la etiqueta o placa de identificación del producto, junto con todas las marcas de aprobación e información necesarias. Cuando solicite información de cumplimiento de este producto, siempre haga referencia al número de serie. El número de serie no debe confundirse con el nombre de marca o el número de modelo del producto.

#### Especificaciones de FCC para Modelos Con Aprobación FCC Clase A:

Este dispositivo cumple con la parte 15 de las Reglas de FCC. La operación está sujeta a las dos condiciones siguientes: 1) Este dispositivo no debería causar interferencias dañinas, y (2) este dispositivo debe aceptar cualquier interferencia recibida, incluso interferencias que puedan causar un funcionamiento indeseado.

Nota: Este equipo ha sido probado y cumple con los límites de dispositivos digitales de Clase A, que cumple con la parte 15 de las Reglas de FCC. Estos límites están diseñados para proporcionar protección razonable contra interferencias dañinas cuando el equipo funciona en un entorno comercial. Este equipo genera, utiliza y puede irradiar energía de frecuencia de radio, y si no se instala y utiliza según el manual de instrucciones, puede provocar interferencia dañina en las comunicaciones de radio. El funcionamiento de este equipo en una zona residencial puede provocar interferencia dañina, en cuyo caso el usuario deberá corregir la interferencia por su cuenta. El usuario debe utilizar cables y conectores blindados con este equipo. Cualquier cambio o modificación realizado en este equipo que no esté aprobado expresamente por Tripp Lite puede anular la autoridad del usuario para hacer funcionar este equipo.

#### Aviso de FCC Parte 68 (Sólo para Estados Unidos)

Si su protección de Módem/Fax causa daño a la red telefónica, la compañía telefónica puede discontinuar temporalmente su servicio. Si es posible, le notificarán por anticipado. Si no es práctico el aviso por anticipado, usted será notificado tan pronto como sea posible. Usted será avisado de su derecho de hacer una reclamación con la FCC. Su compañía telefónica puede hacer cambios en sus instalaciones, equipo, operaciones y procedimientos que pueden afectar la operación correcta de su equipo. Si lo hace, usted recibirá aviso anticipado para permitirle una oportunidad de mantener un servicio ininterrumpido. Si experimenta problemas con esta protección de Módem/Fax del equipo, visite por favor [www.tripplite.com/support](http://www.tripplite.com/support) para tener información sobre reparación/garantía. La compañía telefónica puede solicitarle desconectar este equipo de la red hasta que el problema haya sido corregido o usted esté seguro que el equipo no está funcionando mal. No hay reparaciones que el usuario pueda hacer a la protección de Módem/Fax. Este equipo no puede usarse en servicio de monedas proporcionado por la compañía telefónica. La conexión a líneas compartidas está sujeta a tarifas estatales. (Para información, póngase en contacto con la comisión de instalaciones públicas o comisión de corporación).

Tripp Lite tiene la política de mejora continua. Las especificaciones están sujetas a cambios sin notificación previa.



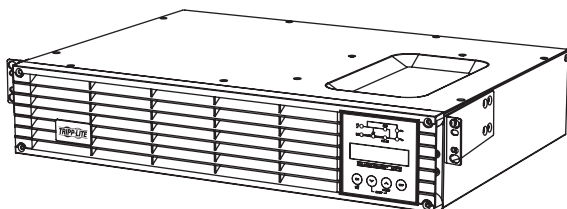
1111 W. 35th Street, Chicago, IL 60609 EEUU • [www.tripplite.com/support](http://www.tripplite.com/support)

# Manuel du propriétaire

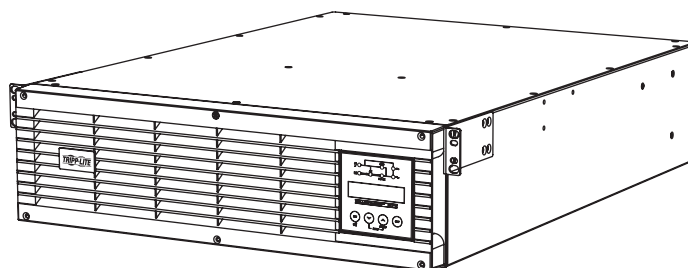
## SmartOnline™

Systemes d'ASC monophasés sur bâti en ligne avec surveillance ACL intégrée et écran de contrôle

Non approprié aux applications mobiles.



SU750RTXLCD2U  
SU1000RTXLCD2U  
SU1500RTXLCD2U  
SU2200RTXLCD2U



SU3000RTXLCD3U

Guide de  
démarrage rapide  
Page 70

<b>1. Aperçu</b>	<b>62</b>	<b>6. Fonctionnement</b>	<b>73</b>
Nomenclature des pièces	62	Modes de fonctionnement	73
Options d'accessoires additionnels	62	Écrans informationnels ACL	76
Accessoires spécifiques aux modèles	62	Aperçu du réglage de l'ASC	78
<b>2. Consignes de sécurité importantes</b>	<b>63</b>	Utiliser PowerAlert	78
<b>3. Installation</b>	<b>64</b>	Utiliser l'interface ACL du panneau avant	78
Montage sur bâti	64	<b>7. Dépannage</b>	<b>86</b>
Montage en tour	66	<b>8. Remplacement des batteries internes</b>	<b>87</b>
<b>4. Caractéristiques</b>	<b>67</b>	<b>9. Entreposage et service</b>	<b>91</b>
Commandes du panneau avant	67	<b>10. Enregistrement de la garantie</b>	<b>91</b>
Caractéristiques du panneau arrière	68	English	1
<b>5. Connexion de base et démarrage</b>	<b>70</b>	Español	31
Guide de démarrage rapide	70		
Connexions optionnelles	71		

REMARQUE : Les options de bloc de batteries externes exigent une configuration à l'aide de l'interface ACL du panneau avant via le logiciel de CONFIGURATION DES BATTERIES EXTERNES de Tripp Lite. Voir la page 83 pour plus de détails si des batteries externes sont connectées à cette ASC.



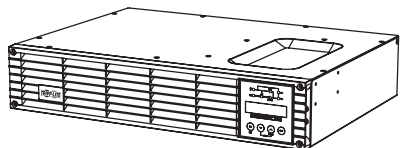
1111 W. 35th Street, Chicago, IL 60609 USA • [www.tripplite.com/support](http://www.tripplite.com/support)

Copyright © 2013 Tripp Lite. Tous droits réservés. SmartOnline™ est une marque de commerce de Tripp Lite. Pour les plus récentes mises à jour, veuillez visiter [www.tripplite.com](http://www.tripplite.com).

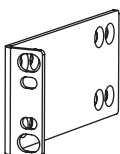
## Aperçu

Les systèmes d'ASC sur bâti SmartOnline de Tripp Lite avec interface ACL interactive sont équipés d'une protection de l'ASC en ligne, double conversion avec sortie sinusoïdale permanente et aucun temps de transfert pour les applications de réseautage avancées. Chaque système offre un support de batteries de longue durée avec fonctionnement prolongé et capacité de communication SNMP / Web en option. Les interfaces intégrées incluent USB, câble de série DB9 et mise hors tension d'urgence. L'écran ACL interactif du panneau avant fournit le statut, la prédéfinition et des options de contrôle détaillés de l'ASC. Un réglage en mode économie en option réduit la consommation d'énergie et le dégagement de chaleur en BTU.

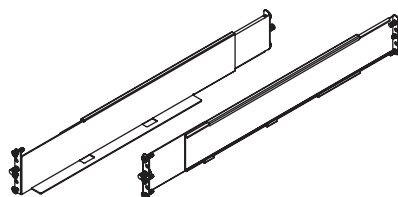
### Nomenclature des pièces



Système d'ASC



Oreilles de montage  
boulonnées (2)



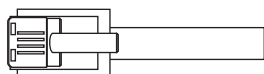
Ensemble de rails à 4  
montants\*



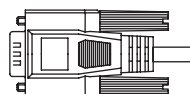
CD PowerAlert



Câble USB



Câble de mise hors tension  
d'urgence (RJ11)



Câble RS-232



Manuel du propriétaire

\*Remarque : les modèles 3 kVA (3U) incluent un ensemble de rails à 4 montants différent de celui illustré.

### Accessoires additionnels (tous les modèles, optionnels)

- SNMPWEBCARD : carte d'interface de réseau interne pour le contrôle et la surveillance SNMP / Web
- ENVIROSENSE : sonde de température / humidité à utiliser avec SNMPWEBCARD
- SRSWITCH : capteur de porte de bâti à utiliser avec ENVIROSENSE et SNMPWEBCARD
- RELAYIOCARD : carte de relais programmable E/S pour la surveillance à distance de l'ASC
- 2-9USTAND : supporte l'ASC en bâti et les blocs de batteries en boîtier vertical (pas pour SU3000RTXLCD3U)

### Accessoires spécifiques aux modèles (optionnels)\*

Modèle de l'ASC	SU750RTXLCD2U	SU1000RTXLCD2U	SU1500RTXLCD2U	SU2200RTXLCD2U	SU3000RTXLCD3U
<b>Blocs de batteries externes (LIMITE 1)**</b>	BP24V15RT2U	BP24V15RT2U	BP48V24-2U	BP48V24-2U	BP72V15-2U
<b>Blocs de batteries externes (AUCUNE LIMITE)**</b>	BP24V70RT3U	BP24V70RT3U	BP48V60RT3U	BP48V60RT3U	BP72V28RT3U
<b>Système d'ASC remplaçable à chaud</b>	PDUB15	PDUB15	PDUB15	PDUB20	PDUB30
<b>Ensemble sur bâti à 2 montants</b>	2POSTRMKITWM	2POSTRMKITWM	2POSTRMKITWM	2POSTRMKITWM	2POSTRMKITHD
<b>Garantie prolongée de 5 ans</b>	WEXT5-500-1500	WEXT5-500-1500	WEXT5-500-1500	WEXT5-2200-3000	WEXT5-2200-3000

\*Visitez la page des caractéristiques techniques pour votre système d'ASC à [www.tripplite.com](http://www.tripplite.com) pour des données détaillées sur le temps de fonctionnement prolongé et des options pour les accessoires optionnels.

\*\* REMARQUE : Les options de bloc de batteries externes exigent une configuration à l'aide de l'interface ACL du panneau avant via le logiciel de CONFIGURATION DES BATTERIES EXTERNES de Tripp Lite. Voir la page 83 pour plus de détails si des batteries externes sont connectées à cette ASC.



### CONSERVEZ CES CONSIGNES.

Ce manuel renferme des instructions et des mises en garde qui doivent être suivies durant l'installation, l'utilisation et l'entreposage de tous les systèmes d'ASC de Tripp Lite. Le non-respect de ces avertissements peut affecter votre garantie.

### Avertissements concernant l'emplacement de l'ASC

- Installer l'ASC à l'intérieur, à l'abri de l'humidité ou de la chaleur excessive, de contaminants conducteurs, de la poussière ou de la lumière directe du soleil.
- Pour une meilleure performance, garder la température intérieure entre 32° F et 104° F (0° C et 40° C).
- Maintenir un dégagement adéquat autour du système d'ASC pour garantir une bonne circulation d'air.
- **Ne pas monter l'unité avec son panneau avant ou arrière faisant face au sol (peu importe l'angle). Une telle installation entravera sérieusement le refroidissement interne de l'unité, entraînant éventuellement des dommages n'étant pas couverts par la garantie.**

### Avertissements concernant la connexion de l'ASC

- Brancher l'ASC directement à une prise d'alimentation c.a. correctement mise à la terre. Ne pas brancher l'ASC sur elle-même; cela endommagera l'ASC.
- Ne pas modifier la fiche de l'ASC et ne pas utiliser un adaptateur qui pourrait éliminer la mise à la terre de l'ASC.
- Ne pas utiliser de rallonge électrique pour connecter l'ASC à une prise c.a. Votre garantie sera annulée si une autre chose que des suppresseurs de surtension de Tripp Lite sont utilisés pour connecter l'ASC à une prise.
- Si l'ASC est alimentée par une génératrice c.a. alimentée par un moteur, la génératrice doit fournir une sortie saine, filtrée et adéquate pour ordinateur.
- La prise de courant principale qui alimente l'ASC devrait se trouver près de l'ASC et être facilement accessible.
- Pour enlever la tension c.a. de l'ASC, retirer la fiche de la prise de courant.

### Avertissements concernant la connexion de l'équipement

- Il est déconseillé d'utiliser cet équipement dans des applications médicales où une panne de cet équipement pourrait normalement provoquer la panne de l'équipement de survie ou altérer notablement sa sécurité ou son efficacité. Ne pas utiliser cet équipement en présence d'un mélange anesthésique inflammable avec de l'air, de l'oxygène ou de l'oxyde nitreux.
- Ne pas brancher de parasurtenseurs ou de rallonges électriques à la sortie de l'ASC. Cela pourrait endommager l'ASC et peut affecter les garanties du parasurtenseur et de l'ASC.
- Brancher l'ASC à une prise qui est protégée de manière adéquate contre les excès de courant, les courts-circuits et les défauts à la terre faisant partie de l'installation du bâtiment. La protection de la prise pour l'ASC doit être en série avec l'entrée principale.

### Avertissements concernant les batteries

- Les batteries peuvent présenter des risques de choc électrique et de brûlures dus au courant élevé de court-circuit. Prendre les précautions nécessaires. Ne pas jeter les batteries au feu. Ne pas ouvrir l'ASC ou les batteries. Ne pas établir de court-circuit ou de pont entre les bornes de la batterie avec un objet quelconque. Débrancher et éteindre l'ASC avant de remplacer la batterie. Utiliser des outils munis de poignées isolées. Aucune pièce ne peut être réparée par l'utilisateur à l'intérieur de l'ASC. Le remplacement des batteries doit être confié à du personnel de service qualifié en utilisant des batteries portant le même numéro et du même type (batterie sans entretien). Les batteries sont recyclables. Consulter les codes locaux concernant les exigences d'élimination des déchets ou visiter [www.tripplite.com/UPSbatteryrecycling](http://www.tripplite.com/UPSbatteryrecycling) pour des renseignements concernant le recyclage. Tripp Lite offre une gamme complète de cartouches de batterie de remplacement de système d'ASC (R.B.C.). Visitez Tripp Lite sur le Web à [www.tripplite.com/support/batteryindex.cfm](http://www.tripplite.com/support/batteryindex.cfm) pour trouver la batterie de remplacement spécifique à votre ASC.
- REMARQUE : Les options de bloc de batteries externes exigent une configuration à l'aide de l'interface ACL du panneau avant via le logiciel de CONFIGURATION DES BATTERIES EXTERNES de Tripp Lite. Voir la page 83 pour plus de détails si des batteries externes sont connectées à cette ASC.

# Installation

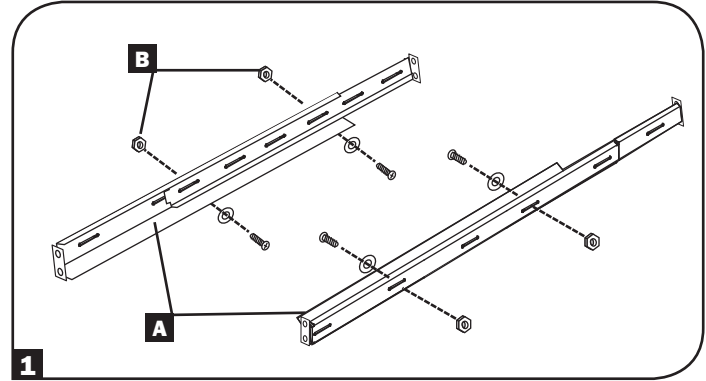
## Montage sur bâti

Installer l'équipement sur un bâti à 2 montants ou à 4 montants ou dans une armoire de bâti (voir la page suivante pour le montage sur 2 montants). L'utilisateur doit déterminer la compatibilité de la quincaillerie et les procédures avant d'effectuer l'installation. Si la quincaillerie et les procédures ne conviennent pas à l'application, communiquer avec le fabricant du bâti ou de l'armoire de bâti. Les procédures décrites dans ce guide s'appliquent à des types de bâti ou de boîtier courants et peuvent ne pas être appropriées pour toutes les applications.

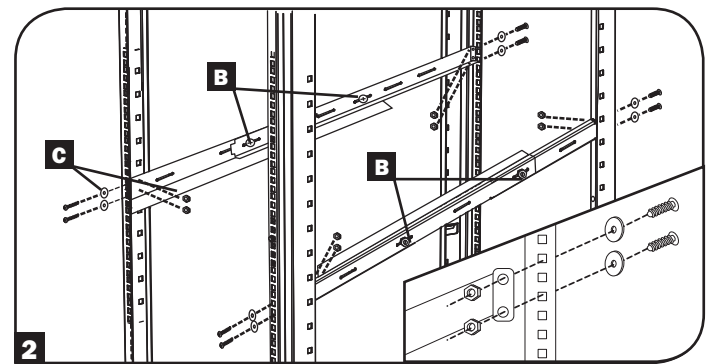
### Montage sur 4 montants (unités 3U)

Tous les modèles d'ASC incluent la quincaillerie requise pour monter sur un bâti à trou carré à 4 montants. Tous les modèles incluent un ensemble de tablettes de montage sur bâti pour offrir du support.

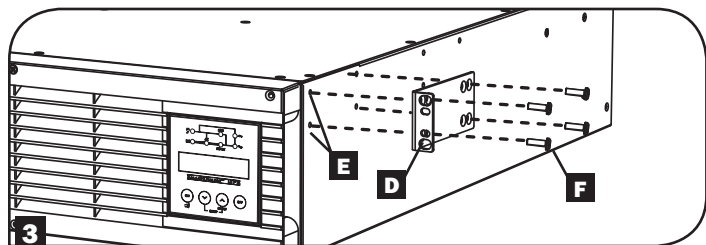
**1** Assembler les deux parties de chaque étagère **A** à l'aide des vis et des écrous inclus **B**. Laisser les vis légèrement desserrées de façon à pouvoir ajuster les étagères à l'étape suivante.



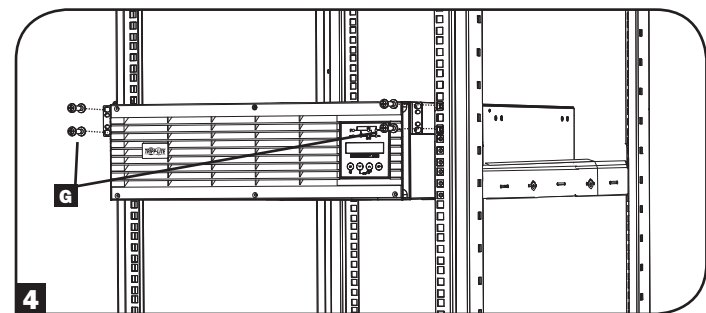
**2** Ajuster chaque étagère pour qu'elle s'adapte à votre bâti, puis les monter dans l'espace disponible le plus bas de votre bâti à l'aide des vis, des écrous et des rondelles fournis **C**. Veuillez noter que les traverses de soutien doivent faire face à l'intérieur. Serrer les vis qui assemblent les parties d'étagère **B**.



**3** Attacher les oreilles de montage **D** aux trous de montage avant de l'ASC **E** en utilisant les vis fournies **F**. Les oreilles doivent faire face à l'avant.



**4** En ayant au besoin recours à l'aide d'un(e) assistant(e), soulever l'ASC et la glisser dans les étagères de montage. Attacher l'ASC au bâti en utilisant la quincaillerie appropriée **G** à travers ses oreilles de montage et dans les rails du bâti. (Pour l'installation 3U, des écrous à cage fournis par l'utilisateur sont également requis.) Serrer toutes les vis solidement en place.





# Installation

## Montage sur 4 montants (unités 2U)

- 1 Les chevilles en plastique incluses **A** supporteront temporairement les tablettes vides **B** de montage sur bâti pendant que vous installez les éléments de montage permanents. Insérer une cheville dans le troisième trou à partir d'en haut dans la partie avant de chaque support. Dans la partie arrière, insérer une cheville dans le trou central. (Chaque support avant comporte 6 trous et chaque support arrière comporte 5 trous.) Les chevilles cliqueront en place.

Après avoir installé les chevilles, prolonger chaque tablette afin qu'elle corresponde à la profondeur des rails du bâti. Les chevilles rentreront dans les trous carrés des rails du bâti pour supporter les tablettes. Se référer aux étiquettes de l'unité du bâti pour confirmer que les tablettes sont au niveau dans toutes les directions. Remarque : Le rebord du support de chaque tablette doit être tourné vers l'intérieur.

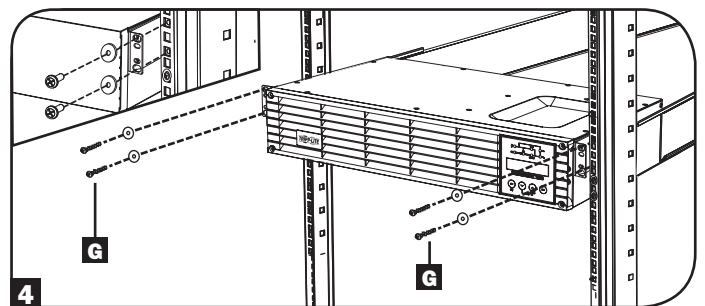
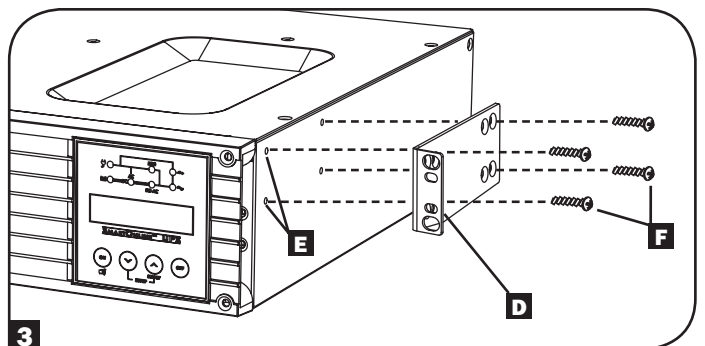
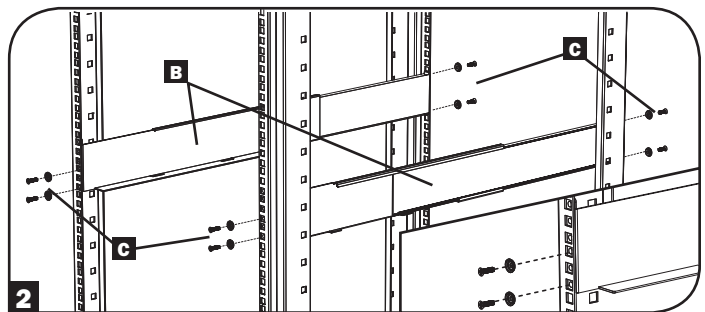
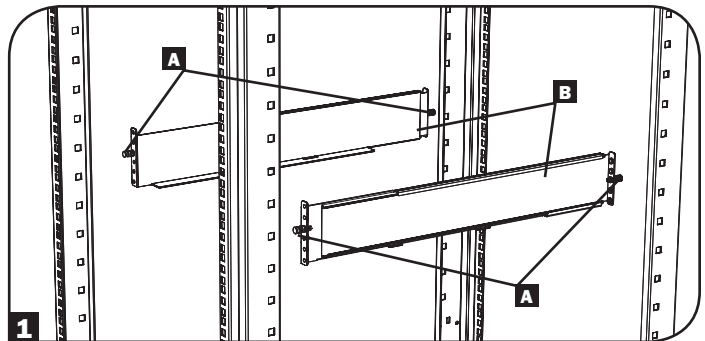
- 2 Enlever les chevilles dans la partie avant de chaque support. Maintenir les tablettes **B** aux rails du bâti de façon permanente en utilisant les vis et les rondelles à collerette **C** incluses tel qu'illustré. Placer deux vis dans la partie avant de chaque rail (4 au total) et 2 vis dans la partie arrière de chaque rail (4 au total). Serrez toutes les vis avant de poursuivre. Remarque : Les chevilles arrière peuvent être laissées en place pour l'installation, mais celles de la partie avant doivent être enlevées avant que le support soit maintenu en place par des vis.

### AVERTISSEMENT!

**Ne tentez pas d'installer l'ASC avant d'avoir inséré et serré les vis requises. Les chevilles en plastique ne supporteront pas le poids de l'ASC.**

- 3 Attachez les supports de montage de l'ASC **D** aux trous de montage avant **E** de l'ASC en utilisant les éléments de fixation inclus **F**. Les oreilles du support de montage doivent être tournées vers l'avant.

- 4 Avec l'aide d'un(e) assistant(e) (le cas échéant), soulever l'ASC et la glisser sur les tablettes. Attacher les supports de montage de l'ASC aux rails de montage avant à l'aide des vis et des rondelles fournies par l'utilisateur **G**. Serrer toutes les vis fermement en place.



# Installation

## Montage sur bâti à 2 montants

Si vous montez les modèles d'ASC 2U dans des bâtis à 2 montants, ils exigent l'ajout d'une trousse d'installation de montage sur bâti à 2 montants de Tripp Lite (modèle : 2POSTRMKITWM, vendu séparément). Les modèles d'ASC 3U peuvent également être montés dans des bâtis à 2 montants, mais ils exigent l'ajout de 2POSTRMKITHD (vendu séparément). Consulter le manuel du propriétaire de la trousse d'installation pour la procédure d'installation.

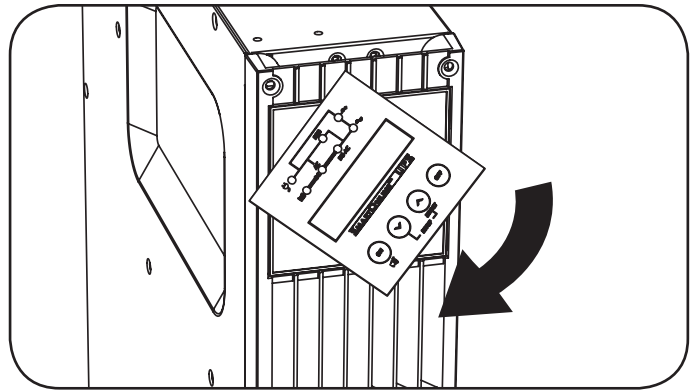
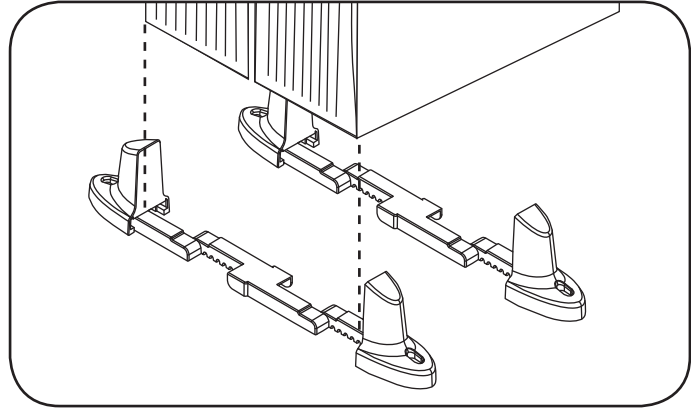
## Montage en tour (modèles 750 à 2 200 VA seulement)

Votre ASC peut être montée en position de tour verticale avec des socles en option vendus séparément par Tripp Lite (Modèle no 2-9USTAND). Lorsque l'ASC est montée sur des socles ajustables, s'assurer que le panneau de commande est vers le haut. Le panneau de commande peut être tourné afin d'en faciliter la lecture. Insérer un petit tournevis ou un outil semblable dans les fentes d'un des côtés du panneau, le sortir, le tourner et le remettre en place tel qu'illustré. Le réglage du panneau avant doit être effectué par du personnel de service seulement.

### AVERTISSEMENT!

**Tous les systèmes d'ASC sont extrêmement lourds. Faire preuve de prudence lors du levage et du montage. L'utilisateur doit bien stabiliser l'ASC lors du levage et du montage.**

*Remarque : SU3000RTLCD3U ne peut pas être monté en tour. Un tel montage empêchera de refroidissement interne du système d'ASC.*



Modèle	SU750RTLCD2U, SU1000RTLCD2U	SU1500RTLCD2U	SU2200RTLCD2U	SU3000RTLCD3U
Dimensions de l'ASC (HxLxP en pouces)	3.5 x 17.5 x 13.5	3.5 x 17.5 x 19	3.5 x 17.5 x 19	5.25 x 17.75 x 26
Dimensions de l'ASC (HxLxP en cm)	8.8 x 44.4 x 34.3	8.8 x 44.4 x 48.3	8.8 x 44.4 x 48.3	13.3 x 45 x 66

Altitude d'exploitation : 0 à 3 000 m (0 à 10 000 pieds)

### REMARQUE CONCERNANT LA CONFIGURATION DES BATTERIES EXTERNES

Si les blocs de batteries externes sont utilisés avec cette ASC, les installer conformément à la documentation sur le montage / installation incluse avec chaque bloc de batteries. L'installation d'un bloc de batteries externes exige que l'ASC soit configurée de l'une ou l'autre des deux façons suivantes :

1. Via l'interface ACL du panneau avant de l'ASC
2. Via le logiciel de CONFIGURATION DE BATTERIES EXTERNES de Tripp Lite

Cette ASC est programmée en usine avec des courbes de décharge et des profils de chargement pour les deux configuration de base de bloc de batteries externes accessibles en utilisant l'interface ACL du panneau avant de l'ASC. Des options de blocs de batteries additionnels utilisant des blocs de batteries externes plus grands ou multiples sont également supportées, mais exigent une configuration utilisant le logiciel de CONFIGURATION DES BATTERIES EXTERNES de Tripp Lite et une connexion à un port série vers l'ASC. Voir la page 83 pour déterminer quelle méthode s'applique à votre configuration de bloc de batteries externes.

## Caractéristiques

Avant d'installer et de faire fonctionner l'ASC, veuillez vous familiariser avec l'emplacement et la fonction des caractéristiques de chaque composant.

### Contrôles, DEL et écran ACL du panneau avant

**1 Écran ACL :** Cet écran rétroéclairé à matrice de points (16 x 2 caractères) affiche une vaste gamme de conditions d'exploitation et de données diagnostiques de l'ASC. Il affiche également les réglages et les options de l'ASC lors de la visualisation des écrans de réglage de l'ASC.

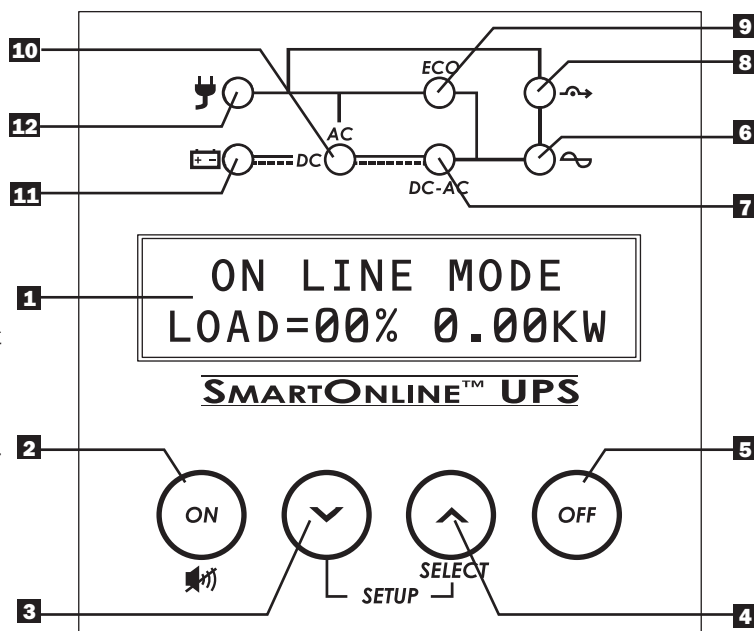
**2 BOUTON «ON/MUTE/TEST » (marche/sourdine/test) :** Ce bouton offre 3 fonctions principales selon l'état de l'ASC lorsqu'il est enfoncé : commande de mise sous tension, annulation de l'alarme et autotest.

- Pour mettre l'ASC sous tension en MODE ON LINE (en ligne), appuyer et maintenir ce bouton alors que l'ASC est branchée à une prise sous tension jusqu'à ce qu'un bip sonore se fasse entendre, puis le relâcher.
- Pour le « démarrage à froid » de l'ASC en MODE ON BATTERY (batterie) durant une panne de courant, appuyer et maintenir ce bouton alors que l'ASC est hors tension jusqu'à ce qu'un bip sonore se fasse entendre, puis le relâcher.
- Appuyer sur ce bouton durant une panne de courant pour mettre en sourdine (MUTE) l'alarme sonore. L'alarme retentira de nouveau pour indiquer une batterie faible.
- Pour une AUTOVÉRIFICATION, afin de déterminer que l'alimentation sans coupure fonctionne normalement en ligne ou en mode économie, appuyer et retenir ce bouton jusqu'à l'audition d'un signal sonore, puis relâcher.

**3 Bouton Défiler vers le bas/Quitter le réglage :** Ce bouton vous permet de naviguer parmi les différentes conditions et options de fonctionnement sur l'écran ACL. En appuyant brièvement sur celui-ci, l'écran ACL affichera une condition de fonctionnement différente (voir la section Fonctionnement pour plus de détails). Le fait d'appuyer simultanément sur ce bouton et le bouton SCROLL UP (défiler vers le haut) pendant 3 secondes lancera une série d'écrans de réglage. Durant les opérations de configuration, ce bouton est utilisé pour défiler à travers les options de configuration et sélectionner les options de configuration.

**4 Bouton Scroll Up/SELECT (Défiler vers le haut / Sélectionner) :** Ce bouton vous permet de naviguer parmi les différentes conditions et options de fonctionnement sur l'écran ACL. En appuyant brièvement sur celui-ci, l'écran ACL affichera une condition de fonctionnement différente (voir la section Fonctionnement pour plus de détails). Le fait d'appuyer simultanément sur ce bouton et le bouton SCROLL DOWN (défiler vers le bas) pendant 3 secondes lancera une série d'écrans de réglage. Durant les opérations de configuration, ce bouton est utilisé pour défiler à travers les options de configuration et sélectionner les options de configuration.

**5 Bouton « OFF » (mise hors tension) :** Appuyer sur ce bouton jusqu'à ce qu'un bip sonore se fasse entendre et que le message de confirmation (« Turn OFF UPS: Y/N » (mettre l'ASC hors tension : O/N)) s'affiche sur l'écran ACL. Appuyer ensuite sur le bouton SCROLL UP (défiler vers le haut) pour désactiver l'onduleur du système d'ASC.



**6 DEL de sortie :** Ce voyant DEL vert s'allumera pour indiquer que l'ASC fournit une alimentation c.a. à l'équipement connecté.

**7 DEL « CC/CA » (onduleur) :** Ce voyant DEL vert s'allumera pour indiquer que l'onduleur CC/CA de l'ASC est activé.

**8 DEL « BYPASS » (dérivation) :** Ce voyant DEL jaune clignotera quand l'ASC fournit une alimentation filtrée du secteur électrique sans enclencher son convertisseur ou son inverseur. Si ce voyant DEL clignote, l'équipement connecté ne recevra pas d'alimentation de la batterie en cas de panne.

**9 DEL ECO (mode économie) :** Ce voyant DEL vert s'allumera pour indiquer que l'ASC fonctionne en mode économie. Si ce voyant DEL est allumé, l'équipement reçoit une alimentation filtrée du secteur électrique. L'inverseur sera actif durant une panne ou une baisse de tension et fournira du courant c.a. à l'équipement.

**10 DEL « CC/CA » (convertisseur) :** Ce voyant DEL vert s'allumera pour indiquer que l'onduleur CC/CA de l'ASC est activé et que du courant c.a. est disponible. *Remarque : ce voyant DEL s'allumera également pour indiquer que le convertisseur CC/CC de l'ASC est activé alors que la batterie est à plat pour fournir du courant c.a. à l'équipement connecté.*

**11 DEL de la batterie :** Ce voyant DEL vert s'allumera quand le système d'ASC décharge la batterie pour alimenter l'équipement connecté en courant c.a. Lorsqu'allumé, une alarme sonnera, qu'il sera possible de faire taire en appuyant sur le bouton ON/MUTE. Ce voyant DEL restera allumé après l'extinction de l'alarme.

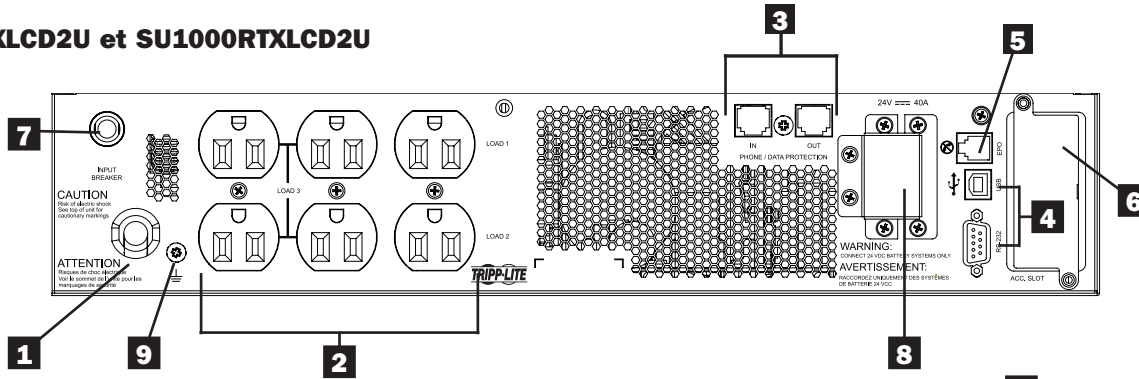
**12 DEL d'entrée :** Ce voyant DEL vert s'allumera pour indiquer qu'une alimentation en courant c.a. est présente et en bonne condition. Il clignotera si l'alimentation en courant c.a. se situe en-dehors de la gamme de dérivation acceptable.

# Caractéristiques

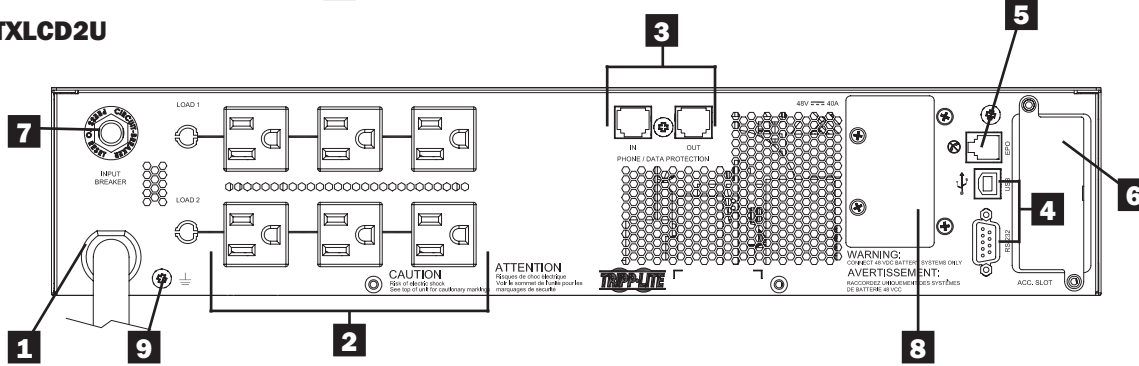
## Caractéristiques du panneau arrière

Remarque : Les descriptions de ces images se trouvent à la page suivante.

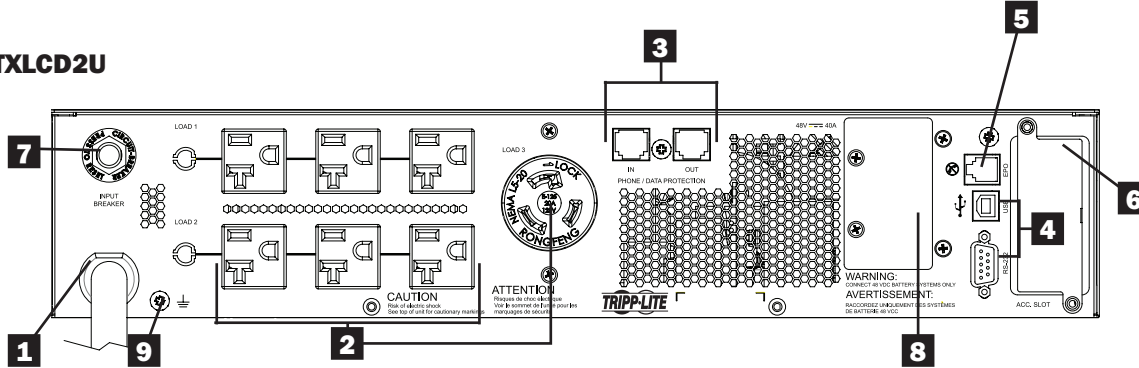
### SU750RTLCD2U et SU1000RTLCD2U



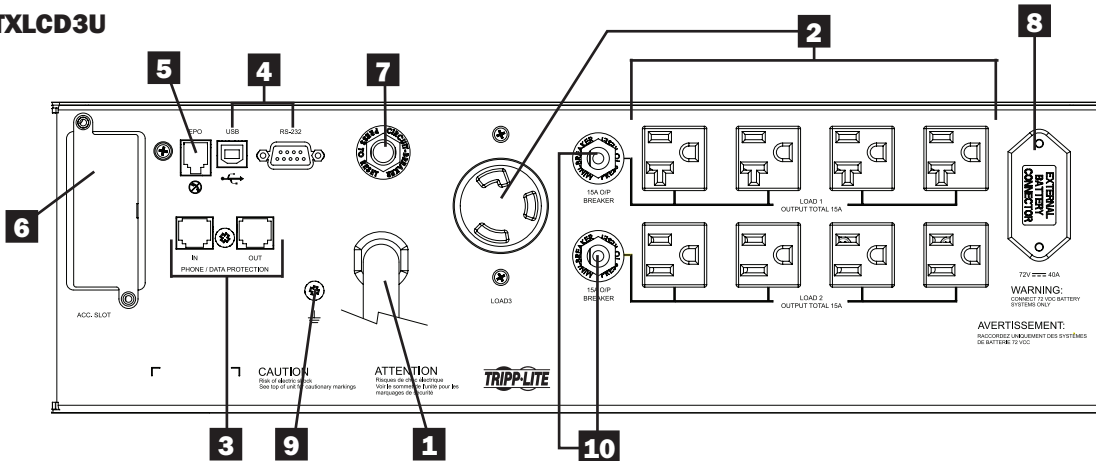
### SU1500RTLCD2U



### SU2200RTLCD2U



### SU3000RTLCD3U



## Caractéristiques

- 1 Câble d'entrée :** Ce cordon d'alimentation fixé de manière permanente connecte l'ASC à la prise de courant.
- 2 Prises de courant c.a. (varie selon le modèle) :** Ces prises de courant fournissent une sortie c.a. avec onde sinusoïdale à l'équipement connecté lors du fonctionnement normal et de la puissance de la batterie durant des pannes ou des baisses de tension importantes. L'alimentation fournie à ces prises est filtrée afin de protéger l'équipement connecté contre les surtensions et le bruit de ligne. Les prises sont divisées en blocs de charge numérotés, tel qu'étiquetés sur l'appareil. À l'aide du câblage et du logiciel PowerAlert, les blocs de charge un et deux peuvent être mis individuellement sous tension et hors tension à distance, permettant aux utilisateurs de réinitialiser ou de redémarrer l'équipement connecté.
- 3 Prise du téléphone ou prise de protection du téléphone / réseau :** Ces prises protègent l'équipement contre les surtension sur une ligne téléphonique ou une ligne de données téléphonique / réseau, selon le modèle. Il est optionnel de connecter l'équipement à ces prises. Le système d'ASC fonctionnera correctement sans cette connexion. Remarque : Non compatible avec les applications d'alimentation électrique par câble Ethernet.
- 4 Ports de communication (USB ou RS-232) :** Ces ports connectent l'ASC à une station de travail ou à un serveur. Utiliser avec le logiciel PowerAlert de Tripp Lite et les câbles inclus pour permettre à votre ordinateur de sauvegarder automatiquement les fichiers ouverts et éteindre l'équipement durant une panne. Utiliser également le logiciel PowerAlert pour surveiller une vaste gamme d'alimentation en c.a. et les conditions de fonctionnement de l'ASC. Consulter le manuel du logiciel PowerAlert ou contacter le soutien au client de Tripp Lite pour plus de renseignements. Le port RS-232 à 9 broches supporte également la communication à contact sec. Consulter « Ports de communication de série USB et RS-232 » dans la section « Connexions optionnelles » pour des directives d'installation.
- 5 Port EPO (Mise hors tension d'urgence) :** Votre ASC est équipée d'un port EPO qui peut être utilisé pour connecter l'ASC à un commutateur de mise hors tension pour permettre la mise hors tension de l'inverseur de secours. Consulter la section « Installation optionnelle » pour plus de détails.
- 6 Fente pour accessoires :** Enlevez le panneau du petit couvercle de cette fente pour utiliser des accessoires optionnels pour surveiller et contrôler à distance votre ASC. Visitez [www.tripplite.com](http://www.tripplite.com) pour voir la liste complète des accessoires, y compris le SNMPWEBCARD pour le contrôle à distance et la surveillance de l'ASC, ainsi qu'une vaste gamme de produits de gestion de réseau et de connectivité.
- 7 Disjoncteur d'entrée :** Ce disjoncteur réarmable empêche le courant d'entrée élevé d'endommager l'ASC ou la charge y étant attachée. Si ce disjoncteur se déclenche, vérifiez la charge de l'ASC avant de réarmer le disjoncteur de surcharge.
- 8 Connecteur de bloc de batteries externe (la configuration varie selon le modèle) :** L'ASC supporte l'utilisation de blocs de batteries externes optionnels de Tripp Lite pour du temps de fonctionnement additionnel. Consulter la section Accessoires spécifiques à l'appareil sous Aperçu pour les modèles compatibles et les limitations et la section Configuration ACL sous Fonctionnement pour des directives concernant la configuration.  
*Remarque : Les options de bloc de batteries externes exigent une configuration à l'aide de l'interface ACL du panneau avant via le logiciel de CONFIGURATION DES BATTERIES EXTERNES de Tripp Lite. Voir la page 83 pour plus de détails si des batteries externes sont connectées à cette ASC.*
- 9 Vise de mise à la terre :** À utiliser pour connecter tout équipement nécessitant une masse.
- 10 Disjoncteur du surcharge de circuit d'entrée (certains modèles seulement) :** Ces disjoncteurs réarmables protègent l'ASC contre les surcharge de sortie. Si un ou les deux disjoncteurs se déclenchent, enlever une partie de la charge sur le(s) circuit(s) et permettre à l'ASC de refroidir avant de réarmer le(s) disjoncteur(s) de surcharge.

## Connexion de base et démarrage

### Guide de démarrage rapide

#### 1 Brancher le cordon d'alimentation de l'ASC dans une prise électrique.

L'ASC doit être connectée à un circuit dédié dont l'ampérage est suffisant. Il est à noter, cependant, que les modèles sélects peuvent être équipés de différents types de prises. Se référer au tableau des caractéristiques nominales sur l'ASC pour plus de détails sur chaque tension de fonctionnement sélectionnable.

STANDBY MODE  
LOAD 0% 0.00KW

PRESS ON KEY  
TO START UPS

Remarque : Jusqu'à ce que le système d'alimentation sans coupure (UPS) soit branché à une prise de courant active c.a. pour la première fois, COLD START (DÉMARRAGE À FROID) (démarrage dans le mode d'alimentation par batterie lors d'une coupure de courant) n'est pas disponible. Veuillez référer à la section de la configuration COLD START LCD (CONFIGURATION DES ACL DU DÉMARRAGE À FROID) (page 82) pour obtenir plus de renseignements.

Une fois l'ASC branchée, tous les voyants DEL clignoteront momentanément et le ventilateur se mettra en marche. L'affichage ACL fera défiler deux écrans de messages pendant 2 secondes chacune :

#### 2 Brancher votre équipement dans l'ASC.

L'ASC est conçue pour supporter uniquement l'équipement informatique. Vous surchargerez l'ASC si vous connectez des appareils électroménagers ou des imprimantes au laser dans les prises de l'ASC.

#### 3 Pour mettre l'ASC sous tension :

- Appuyer sur le bouton « ON/MUTE » (marche/sourdine).
- Le maintenir enfoncé pendant plusieurs secondes jusqu'à ce qu'un bip sonore se fasse entendre.
- Le relâcher.

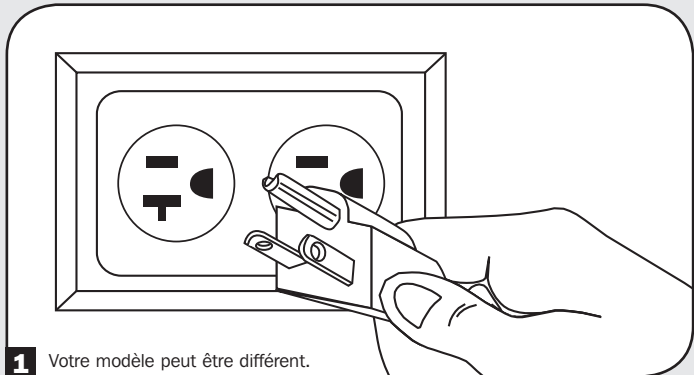
Après avoir terminé avec succès les diagnostics de démarrage, l'ASC commencera à alimenter ses prises. Les voyants DEL INPUT (entrée), AC/DC (converter) (c.a./c.c. (convertisseur), DC/AC (inverter) (c.c./c.a. (onduleur) et OUTPUT (sortie) s'allumeront et l'écran ACL affichera :

ON LINE MODE  
LOAD= 00% 0.00KW

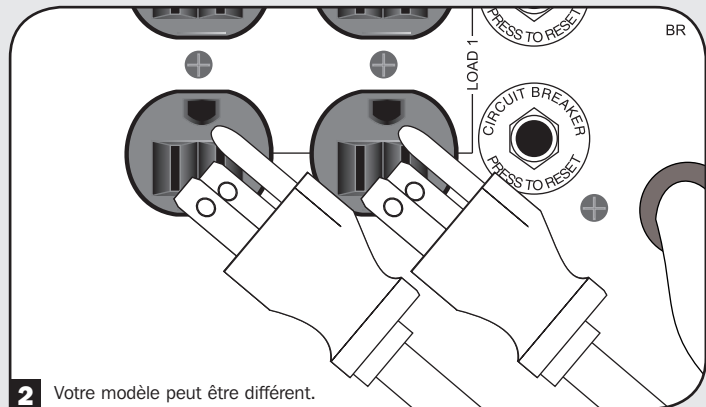
**Si vous éprouvez de la difficulté à mettre l'ASC sous tension, il se peut que vous appuyiez trop longtemps sur le bouton ON. Relâchez le bouton « durant le bip sonore » (et non pas lorsqu'il s'arrête).**

Remarque : Le système d'ASC fonctionnera correctement dès le démarrage initial; toutefois, la durée de fonctionnement maximale pour la batterie de l'unité ne sera accessible qu'après qu'elle ait été chargée pendant 24 heures.

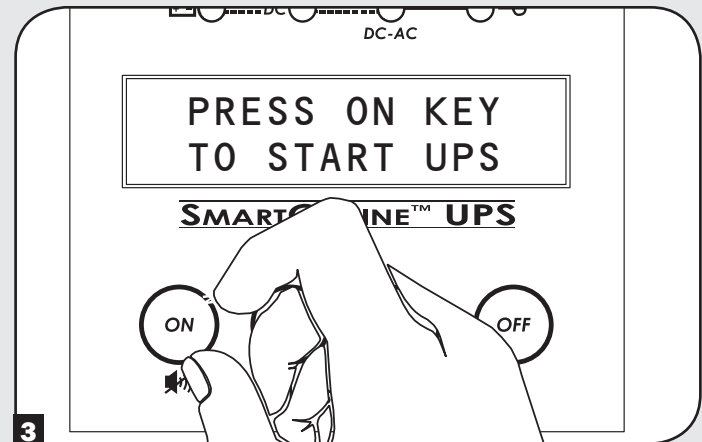
Remarque : Les options de bloc de batteries externes exigent une configuration à l'aide de l'interface ACL du panneau avant via le logiciel de CONFIGURATION DES BATTERIES EXTERNES de Tripp Lite. Voir la page 83 pour plus de détails si des batteries externes sont connectées à cette ASC.



1 Votre modèle peut être différent.



2 Votre modèle peut être différent.



3

# Connexion de base et démarrage

## Connexions optionnelles

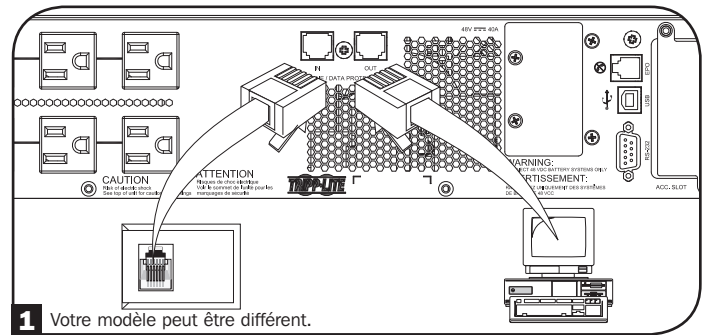
Le système d'ASC fonctionnera correctement sans ces connexions.

### 1 Ligne téléphonique ou suppression de surtension de ligne téléphonique / de réseau

L'ASC est équipée de prises qui protègent contre les surtensions sur une ligne téléphonique. Certains modèles comportent des prises qui protègent également contre les surtensions sur une ligne de réseau.\* En utilisant les codons de téléphone ou de réseau appropriés, brancher la prise murale à la prise de l'ASC portant l'indication « IN ». Brancher l'équipement à la prise de l'ASC portant l'indication « OUT ». S'assurer que l'équipement connecté aux prises de l'ASC est aussi protégé contre les surtensions sur la ligne c.a.

\*Non compatible avec les applications d'alimentation électrique par câble Ethernet.

Remarque : Utiliser le même type de connecteur pour les ports d'entrée et de sortie de suppression de surtension de la ligne téléphonique.

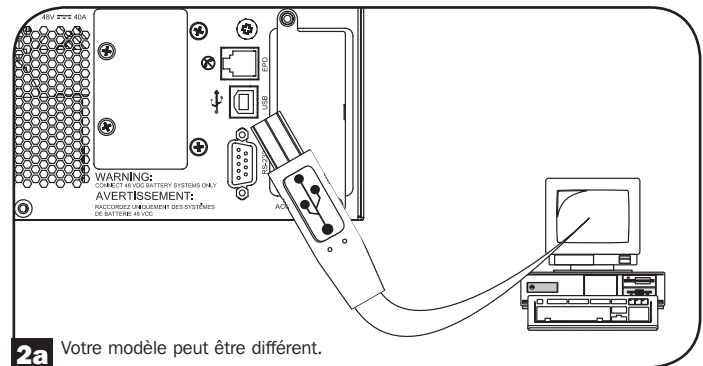


1 Votre modèle peut être différent.

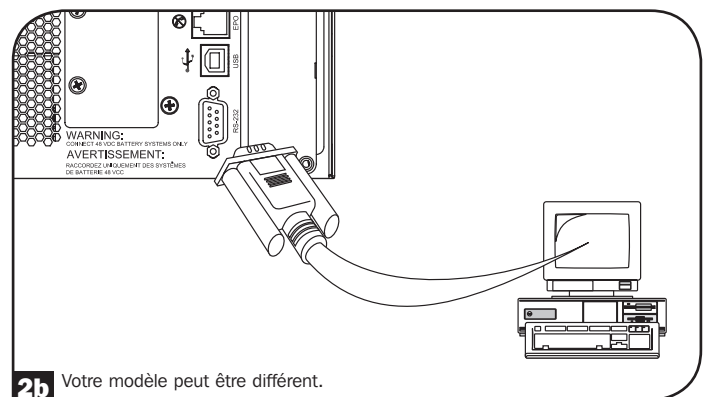
### 2 Ports de communication de série USB et RS-232

Utiliser le câble USB inclus (voir 2a) et/ou le câble série DB9 (voir 2b) pour brancher le port de communication de l'ordinateur au port de communication de l'ASC. Installer, sur l'ordinateur, le logiciel PowerAlert de TrippLite approprié au système d'exploitation de l'ordinateur. L'ASC peut comporter des ports de communications supplémentaires; ces ports peuvent être connectés à des ordinateurs supplémentaires sur lesquels le logiciel PowerAlert a été installé. Consultez votre manuel PowerAlert pour plus de renseignements.

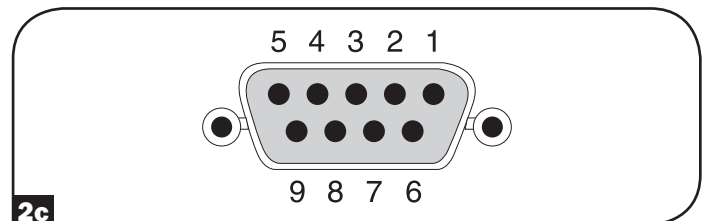
2c Les ports de communication à contact sec sont simples, mais leur configuration exige une certaine connaissance de l'électronique. Les fonctions de broche du port DB9 sont représentées dans le diagramme. Si la batterie de l'ASC est faible, l'ASC envoie un signal en créant un pont entre les broches 1 et 5. En cas de perte de courant de secteur, l'ASC envoie un signal en créant un pont entre les broches 8 et 5. Pour mettre l'ASC hors tension à distance, court-circuiter les broches 3 à 9 pendant au moins 60 secondes.



2a Votre modèle peut être différent.



2b Votre modèle peut être différent.



2c

## Connexion de base et démarrage

### 3 EPO Port Connection

Connexion au port EPO (mise hors tension d'urgence) Cette caractéristique en option est seulement pour les applications qui nécessitent une connexion à un circuit de mise hors tension d'urgence (EPO) d'un établissement. Lorsque l'ASC est connectée à ce circuit, elle permet la fermeture d'urgence de l'inverseur de l'ASC et empêche le transfert à une dérivation interne. À l'aide du câble fourni, brancher le port EPO (mise hors tension d'urgence) de l'ASC (voir **3a**) à un commutateur, fourni par l'utilisateur, normalement fermé ou normalement ouvert selon le diagramme du circuit (voir **3b**).

Remarque :

1. Si un câble autre que celui fourni est utilisé, le câble ne devrait pas excéder 106 mètres (350 pieds) ou avoir une résistance supérieure à 10 ohms.
2. Si un commutateur EPO (mise hors tension d'urgence) sans maintien est utilisé, l'EPO doit être maintenu pendant au moins 1 seconde. Cela ne s'applique pas à un commutateur EPO avec maintien.

**MISE EN GARDE : Le port de l'EPO (mise hors tension d'urgence) n'est pas un parasurtenseur de ligne téléphonique; ne pas brancher une ligne téléphonique à ce port.**

État de l'unité d'ASC en affirmant l'EPO en présence d'une ligne c.a. :

DEL	Sortie	Ventilateurs	De série	SNMP	USB	Écran ACL
OFF	OFF	ON	ON	ON	ON	"EMERGENCY POWER OFF"

Pour redémarrer l'unité d'ASC après avoir affirmé l'EPO en présence d'une ligne c.a. : **Option 1 :**

1. Vérifier que l'assertion de l'EPO a été enlevée ou supprimée.
2. Appuyez sur le bouton ON (MARCHE) jusqu'à ce que l'unité émette un bip; relâchez le bouton.
3. La sortie de l'ASC se remettra sous tension après avoir complété les diagnostics.

**Option 2 :**

1. Vérifier que l'assertion de l'EPO a été enlevée ou supprimée.
2. Débranchez le cordon d'alimentation c.a. du système d'alimentation sans coupure (UPS) et attendez jusqu'à ce que l'ACL s'éteigne complètement.
3. Remettre la ligne d'alimentation c.a. L'ASC se remettra maintenant sous tension en mode de fonctionnement normal.

État de l'unité d'ASC en affirmant l'EPO sans ligne d'alimentation c.a.:

DEL	Sortie	Ventilateurs	De série	SNMP	USB	Écran ACL
OFF	OFF	OFF	OFF	OFF	OFF	"EMERGENCY POWER OFF"

Pour redémarrer l'unité d'ASC après avoir affirmé l'EPO en présence d'une ligne c.a. :

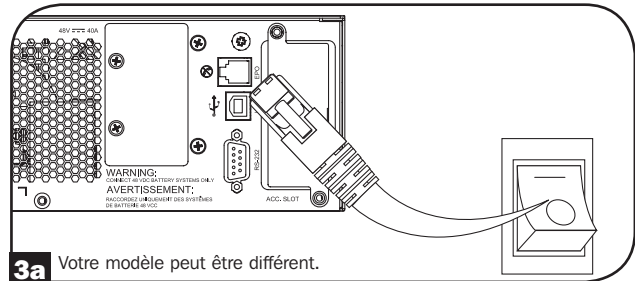
1. Vérifier que l'assertion de l'EPO a été enlevée ou supprimée.
2. Remettre la ligne d'alimentation c.a. sur l'unité d'ASC. L'ASC se remettra maintenant sous tension en mode de fonctionnement normal.

### 4 Connexion aux batteries externes

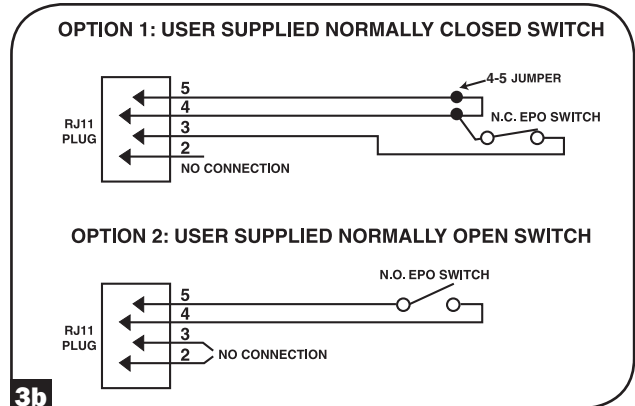
Vérifier la section Accessoires spécifiques à l'appareil sous Aperçu pour les blocs de batteries compatibles et les quantités maximum pour votre système d'ASC. S'assurer que le bloc de batteries correspond à la tension mentionnée sur le connecteur des batteries de l'ASC. L'ajout de batteries externes augmentera le temps de recharge ainsi que la durée de fonctionnement. Consulter le manuel du propriétaire du bloc de batteries pour des directives d'installation et de réglage complètes. S'assurer que les câbles sont entièrement insérés dans leurs connecteurs. Il peut se produire de petites étincelles pendant la connexion des batteries; ceci est normal. Ne pas brancher ou débrancher les blocs de batteries lorsque l'ASC fonctionne sur la puissance des batteries.

**IMPORTANT! Pour calibrer l'ASC afin que les écrans d'information sur le logiciel et l'affichage ACL du temps de fonctionnement restant puisse prédire correctement la durée de fonctionnement avec les blocs de batteries externes connectés, consulter la page 83 pour plus d'informations si des batteries externes sont connectées à cette ASC.**

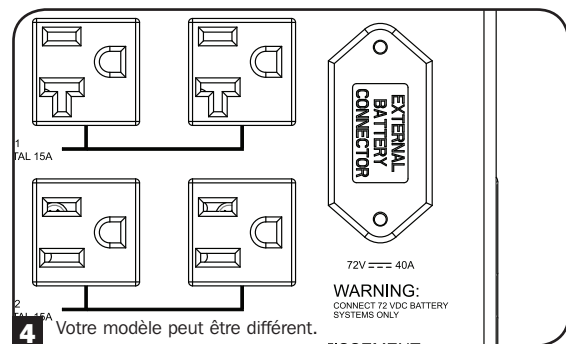
**MISE EN GARDE : Ne pas ouvrir ou mutiler les batteries. La matière dégagée est dangereuse pour la peau et les yeux. Elle peut être toxique. Les précautions suivantes devraient être observées lors de l'alimentation par batteries : Déterminer si la batterie est involontairement mise à la terre. Si elle est involontairement mise à la terre, enlever la source de mise à la terre. Tout contact avec une partie d'une batterie mise à la terre pourrait causer un choc électrique. La probabilité d'un tel choc peut être réduite si les mises à la terre sont enlevées durant l'installation et l'entretien. (Ceci s'applique aux fournitures de l'équipement et des batteries à distance qui n'ont pas de circuit d'alimentation mis à la terre.)\***



**3a** Votre modèle peut être différent.



**3b**



**4** Votre modèle peut être différent.

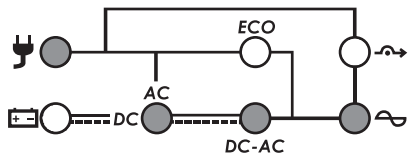


## Fonctionnement

### Modes de fonctionnement

#### MODE ON LINE (en ligne) :

Il s'agit du mode de fonctionnement standard pour l'ASC. En mode On-line (en ligne), l'ASC fournit continuellement une sortie c.a. régulée et recharge le système des batteries au besoin. Si la puissance d'entrée devient instable, l'ASC va automatiquement maintenir la sortie sinusoïdale des réserves des batteries.



ON LINE MODE  
LOAD=00% 0.00KW

**Voyants DEL de MODE ON LINE (en ligne) :** Les voyants DEL AC INPUT (entrée c.a.), AC/DC (c.a./c.c.), DC/AC (c.c./c.a.) et OUTPUT (sortie) sont allumés.

**Écran ACL DE MODE ON LINE (en ligne) :** Informations sur le mode de fonctionnement et la charge de l'ASC



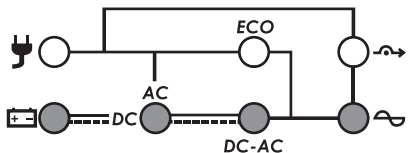
Remarque : Un voyant DEL INPUT (entrée) qui clignote indique que la puissance d'entrée est disponible, mais qu'elle n'est pas suffisamment stable ou qu'il s'agit de la mauvaise fréquence à utiliser en capacité de dérivation.

#### OPTIONS DE VISUALISATION ACL EN MODE EN LIGNE :

Lorsque l'écran ACL passe en mode en ligne, il affichera les informations sur la charge en pourcentage et en kilowatts. Pour afficher des écrans d'informations additionnels, taper sur le bouton « SCROLL DOWN » (défilement vers le bas) (« v ») à plusieurs reprises. Les écrans additionnels incluent : utilisation en ki-lowatt par heure, capacité résiduelle en kilowatts, durée de fonctionnement résiduelle en minutes, tension et pourcentage de charge des batteries, tension de sortie et fréquence, tension d'entrée et fréquence, facteur de puissance de la charge et pourcentage de la charge plus la capacité en kVA.

#### MODE ON BATTERY (batterie) :

Dans ce mode, l'ASC fournit à l'équipement connecté une sortie en c.a. avec onde sinusoïdale dérivée de la batterie. Le mode batterie est une réponse automatique à une coupure de courant ou à une fluctuation extrême de tension alors que l'ASC fonctionne en mode en ligne ou en mode économie. L'ASC peut également être démarrée à froid manuellement en mode batterie durant une coupure de courant en appuyant et en maintenant le bouton ON/TEST (voir la section pratique). L'ASC se remettra automatiquement en mode en ligne ou en mode économie une fois le secteur électrique restauré et stable. Pour faire taire l'alarme sonore, appuyez sur le bouton « ON/MUTE ». L'alarme retentira de nouveau pour avertir des conditions de batteries faibles. Alors que les batteries deviennent complètement à plat, l'alarme de l'ASC retentira continuellement pendant 5 secondes et la sortie c.a. se mettra hors tension. L'affichage ACL du panneau avant affichera « OUTPUT OFF/BATTERY LOW » pendant un maximum de 5 minutes avant de se mettre automatiquement hors tension.



ON BATTERY  
LOAD=00% 0.00KW

**DEL EN MODE BATTERIE :** BATTERIE, CA/CC, CC/CA et DEL DE SORTIE sous tension.

**ÉCRAN ACL EN MODE BATTERIE :** Mode de fonctionnement et information sur la charge de l'ASC.

#### OPTIONS D'AFFICHAGE DE L'ÉCRAN ACL DU MODE BATTERIE :

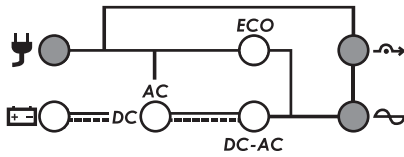
En passant en mode BATTERIE pour la première fois, l'écran ACL va afficher l'information sur la charge en pourcentage et en kilowatts. Pour afficher des écrans d'information additionnels, appuyez sur le bouton « SCROLL DOWN (« v ») » (défiler) à plusieurs reprises. Les écrans additionnels incluent : utilisation en kilowattheure, capacité restante en kilowatt, temps d'exécution restant en minutes, tension de la batterie et pourcentage de charge, tension et fréquence de sortie, tension et fréquence d'entrée, facteur de puissance de la charge et pourcentage de la charge plus la capacité en kVA.

#### MODE BYPASS (dérivation) :

Le mode BYPASS (dérivation) est un mode où l'ASC fait circuler de la puissance d'entrée non traitée directement vers la sortie. Le mode de dérivation peut s'engager sur une base automatique (AUTO-BYPASS) ou en tant que mode de fonctionnement d'urgence de l'ASC qui maintient la sortie pour l'équipement connecté au cas de surcharge de l'ASC ou en cas de panne de composants internes qui pourrait amener l'équipement à perdre de la puissance. Le fonctionnement en mode AUTO-BYPASS (auto-dérivation) résultant d'une surcharge soudaine de l'ASC alors que l'ASC fonctionne en mode ON LINE (en ligne) va automatiquement se réinitialiser une fois la charge de sortie réduite. Le mode BYPASS (dérivation) résultant d'une panne interne de l'ASC peut ne pas se réinitialiser automatiquement et, si le message persiste, les utilisateurs devraient contacter Tripp Lite pour des options de dépannage ou de réparation. Peut importe la cause, l'ASC ne fournira pas de puissance de secours de la batterie lorsque l'écran ACL signale le mode BYPASS (dérivation).

Le mode BYPASS (dérivation) est également affiché sur l'affichage ACL lorsque l'ASC est configurée vis l'écran ACL STANDBY MODE (mode d'attente) pour ENABLE BYPASS OUTPUT (activer la sortie de dérivation). Une fois cette préférence configurée, l'ASC fera défiler BYPASS MODE (mode de dérivation) avec des informations sur le chargement et PRESS ON KEY TO TURN UPS ON (appuyer sur la touche pour mettre l'ASC sous tension). Dans ce mode, l'ASC fournit un fonctionnement en mode d'attente avec de la puissance aux sorties et le chargeur est opérationnel, mais l'ASC ne fournira pas d'alimentation de secours en cas de panne de courant lorsqu'elle se trouve dans ce mode.

## Fonctionnement



**BYPASS MODE**  
LOAD=00% 0.00KW

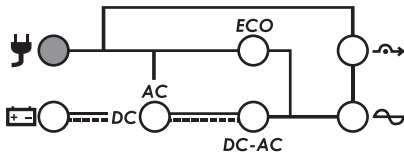
**VOYANTS DEL EN MODE BYPASS (dérivation) :** Les voyants DEL INPUT (entrée), BYPASS (dérivation) (clignote) et OUTPUT (sortie) sont allumés.

**ÉCRAN ACL EN MODE BYPASS (dérivation) :** Informations sur le mode de fonctionnement et la charge de l'ASC\*

*\*Remarque : lorsque le mode de dérivation est configuré comme préférence sur l'écran ACL STANDBY MODE (mode d'attente), l'écran de mode BYPASS (dérivation) alternera entre BYPASS MODE (mode de dérivation) avec des informations sur le chargement et PRESS ON KEY TO TURN UPS ON (appuyer sur la touche pour mettre l'ASC sous tension).*

### MODE STANDBY (attente) :

Lorsque l'ASC est connectée pour la première fois à une source d'alimentation, elle sera automatiquement alimentée en mode Standby (attente). L'écran ACL fera défiler « STANDBY MODE / PRESS ON KEY TO START UPS » et le chargeur s'activera au besoin, mais il n'y a pas de sortie ou de support de secours de batterie de l'ASC dans ce mode. Pour mettre l'ASC sous tension pour un fonctionnement normal, appuyer et maintenir le bouton ON jusqu'à ce que bip sonore se fasse entendre; l'ASC s'alimentera après qu'une série de tests de diagnostic aie été complétée. Pour désactiver complètement l'ASC du mode standby (attente), débrancher simplement l'ASC de sa source d'alimentation; l'ASC signalera OFF WAITING et le ventilateur et l'écran ACL se mettront hors tension après environ 30 secondes.



**STANDBY MODE**  
LOAD=00% 0.00KW

**LED EN STANDBY MODE (mode d'attente) :** Voyant DEL INPUT (entrée) allumé.

**ÉCRAN ACL EN MODE STANDBY (attente) (2 messages, 2 sec. chacun):**

- Informations sur le mode STANDBY (attente) et la charge de l'ASC
- PRESS ON KEY TO TURN ON UPS (appuyer sur la touche pour mettre sous tension l'ASC) (Non illustré)



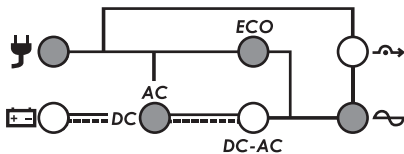
*Remarque : Un DEL d'entrée qui clignote indique que la puissance d'entrée est disponible, mais pas suffisamment stable pour être utilisée. Le fait d'appuyer sur le bouton ON en mode standby (attente) pendant que le voyant DEL clignote fera « démarrer à froid » l'ASC en mode batterie.*

### OPTIONS DE VISUALISATION ACL EN MODE STANDBY (attente) :

Lorsque l'écran ACL passe en mode STANDBY (attente) pour la première fois, il affichera les informations sur la charge en pourcentage et en kilowatts. Pour afficher des écrans d'informations additionnels, taper sur le bouton « SCROLL DOWN » (défilement vers le bas) (« v ») à plusieurs reprises. Les écrans additionnels incluent : utilisation en kilowatt par heure, capacité résiduelle en kilowatts, durée de fonctionnement résiduelle en minutes, tension et pourcentage de charge de la batterie, tension de sortie et fréquence, tension d'entrée et fréquence, facteur de puissance de la charge et pourcentage de la charge plus la capacité en kVA.

### MODE ECONOMY (économie) :

Le mode Economy (économie) se réfère à une configuration optionnelle de l'ASC pour une consommation de puissance et un dégagement de chaleur réduits. Une ASC en mode économie réduit le consommation de puissance en interrompant le processus de conversion double [c.a. à c.c. / c.c. à c.a.] à chaque fois que la qualité de la puissance est déjà assez élevée pour circuler à travers l'équipement connecté inchangée. L'ASC va automatiquement passer de nouveau en mode on-line (en ligne) si la qualité de la puissance d'entrée se détériore afin d'assurer que l'équipement connecté reçoit de l'alimentation de haute qualité en toutes circonstances. Consulter la section Configuration ACL sous Fonctionnement pour des renseignements sur la configuration.



**ECONOMY MODE**  
LOAD=00% 0.00KW

**VOYANTS DEL EN MODE ECONOMY (économie):** Les voyants DEL INPUT (entrée), AC/DC (c.a./c.c.), ECO et OUTPUT (sortie) sont allumés.

**ÉCRAN ACL EN MODE ECONOMY (économie):** Informations sur le mode de fonctionnement et la charge de l'ASC

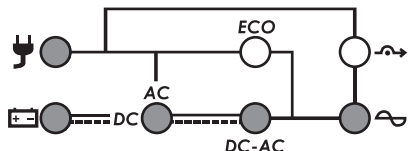
### OPTIONS DE VISUALISATION ACL EN MODE ECONOMY (économie) :

Lorsque l'écran ACL passe en mode ECONOMIE (économie) pour la première fois, il affichera les informations sur la charge en pourcentage et en kilowatts. Pour afficher des écrans d'informations additionnels, taper sur le bouton « SCROLL DOWN » (défilement vers le bas) (« v ») à plusieurs reprises. Les écrans additionnels incluent : utilisation en kilowatt par heure, capacité résiduelle en kilowatts, durée de fonctionnement résiduelle en minutes, tension et pourcentage de charge de la batterie, tension de sortie et fréquence, tension d'entrée et fréquence, facteur de puissance de la charge et pourcentage de la charge plus la capacité en kVA.

## Fonctionnement

### MODE BATTERY TEST (test des batteries) :

Pour vérifier le fonctionnement de secours des batteries de l'ASC, vous pouvez effectuer périodiquement un autotest manuel ou programmé du système d'ASC. Pour initier manuellement un autotest pendant que l'ASC fonctionne en mode On-Line (en ligne) ou Economy (économie), appuyer sur le commutateur ON/MUTE jusqu'à ce qu'un bip sonore se fasse entendre, puis relâcher. Le système d'alimentation sans coupure peut être configuré à partir de l'interface ACL du panneau avant pour aucun test, l'autotest hebdomadaire ou l'autotest mensuel (la configuration d'usine par défaut est pour l'autotest mensuel). L'autotest peut également être configuré vis le logiciel PowerAlert aux intervalles déterminés par l'utilisateur (consulter la documentation du logiciel PowerAlert pour plus de renseignements.) Lorsqu'un autotest est effectué, l'ASC va revenir par cycle à la puissance des batteries pendant environ 10 secondes et revenir automatiquement en mode c.a. Si un mode de panne ou de condition de batterie faible se présente, l'ASC signalera un message d'alarme « BATTERY FAULT » (défaillance des batteries) et émettra un bip sonore toutes les deux secondes. Si les batteries sont correctes, l'affichage retournera au menu précédent.



**BATTERY TEST**  
LOAD=00% 0.00KW

**VOYANTS DEL EN MODE BATTERY (batterie):** Les voyants DEL INPUT (entrée), BATTERY (batterie), AC/DC (c.a./c.c.) et OUTPUT (sortie) sont allumés.

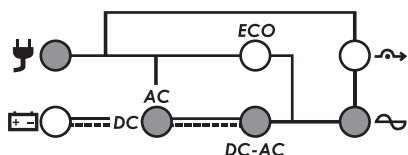
**ÉCRAN ACL EN MODE BATTERY (batterie) :** TEST DE LA BATTERIE et information sur la charge de l'ASC.

### OPTIONS DE VISUALISATION ACL EN MODE BATTERY TEST (test de la batterie) :

Aucune - pendant toute la durée du test de la batterie, l'affichage signalera les informations sur le chargement de la sortie.

### MODE FREQ (FREQUENCY) CONVERTER (convertisseur de fréquence) :

L'ASC est compatible avec une tension d'entrée nominale de 100 à 127 V à 50 ou 60 Hz. L'ASC va automatiquement se configurer pour un fonctionnement à 50 ou 60 Hz selon les conditions du courant de secteur au démarrage et ajuster la puissance de sortie à  $\pm 0,05$  Hz de la fréquence sélectionnée. Le système d'ASC comporte également une configuration avancée qui permet la conversion continue de la fréquence de 50 Hz à 60 Hz ou de 60 Hz à 50 Hz. La configuration de la conversion avancée de la fréquence est accessible par le biais de l'ACL, du logiciel PowerAlert inclus ou de la carte d'accessoire interne SNMPWEBCARD optionnelle. Lorsque la conversion continue de la fréquence est activée, la puissance nette maximum du système d'ASC est réduite de 30 %. Pour configurer l'ASC pour la conversion de la fréquence, vous devrez ajuster les réglages sur deux écrans de configuration ACL séparés : OUTPUT FREQUENCY (fréquence de sortie) (sélectionner 50 ou 60 Hz) et FREQ CONVERTER (convertisseur de fréquence) (sélectionner « enable » (activer) ou « disable » (désactiver)). Consulter la section MENU DE CONFIGURATION pour des instructions sur la configuration de ces deux options. Lorsque l'ASC fonctionne en mode FREQ CONVERTER (convertisseur de fréquence), le voyant DEL INPUT (entrée) clignotera pour indiquer que les deux fonctionnements AUTOMATIC BYPASS (dérivation automatique) et MANUAL BYPASS (dérivation manuelle) ne sont pas disponibles (puisque la dérivation permettrait à la mauvaise fréquence de circuler dans l'équipement connecté).



**FREQ CONVERTER**  
LOAD=00% 0.00KW

**VOYANTS DEL EN MODE FREQUENCY CONVERTER (convertisseur de fréquence) :** les voyants DEL INPUT (entrée) (clignote), AC/DC (c.a./c.c.), DC/AC (c.c./c.a.) et OUTPUT (sortie) sont allumés.

**Écran ACL EN MODE FREQ CONVERTER (convertisseur de fréquence) :** informatios sur « FREQ CONVERTER » (convertisseur de fréquence) et l'ASSC

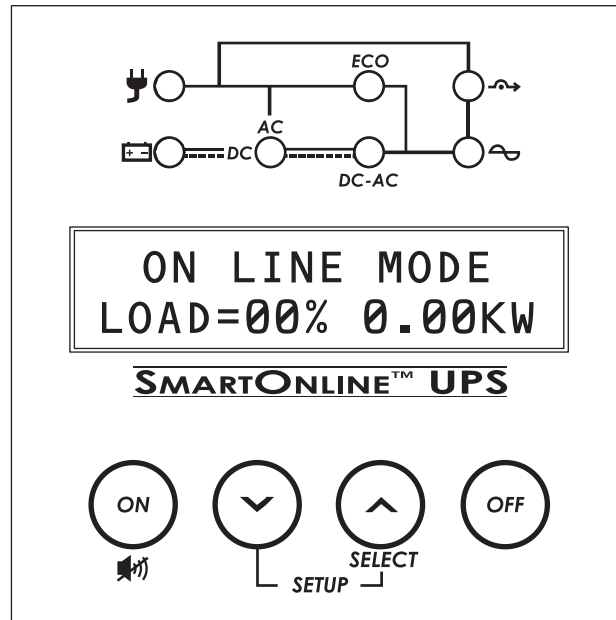
### OPTIONS DE VISUALISATION ACL EN MODE FREQ CONVERTER (convertisseur de fréquence) :

Lorsque l'écran ACL passe en mode FREQUENCY CONVERTER (convertisseur de fréquence) pour la première fois, il affichera les informations sur la charge en pourcentage et en kilowatts. Pour afficher des écrans d'informations additionnels, taper sur le bouton « SCROLL DOWN » (défilement vers le bas) (« v ») à plusieurs reprises. Les écrans additionnels incluent : utilisation en kilowatt par heure, capacité résiduelle en kilowatts, durée de fonctionnement résiduelle en minutes, tension et pourcentage de charge de la batterie, tension de sortie et fréquence, tension d'entrée et fréquence, facteur de puissance de la charge et pourcentage de la charge plus la capacité en kVA.

## Fonctionnement

### Écrans informationnels ACL

Cette ASC est configurée avec écran ACL de 32 caractères sur deux rangées pour offrir des options détaillées sur le statut, le contrôle et la configuration de l'ASC.



Dans la plupart des modes d'affichage, la rangée de texte supérieure identifie continuellement le mode opérationnel actuel. Les modes supportés sont BYPASS (dérivation), ON LINE (en ligne), ON BATTERY (batterie), ECONOMY (économie), FREQ (FREQUENCY) CONVERTER (convertisseur de fréquence) et STANDBY (attente). (Consulter la section MODES OPÉRATIONNELS pour plus de renseignements sur chaque mode de fonctionnement.)

La rangée de texte inférieure identifie les valeurs des mesures particulières. Pour défiler parmi les sept écrans de mesures disponibles, appuyer sur le bouton SELECT à plusieurs reprises. L'affichage peut être « arrêté » sur une valeur particulière pour un affichage permanent lorsque l'ASC fonctionne dans ce mode.

Toutes les neuf écrans de données sont disponibles pour être surveillées à partir de chacun des six modes de fonctionnement :

#### Modes de fonctionnement (ligne supérieure)

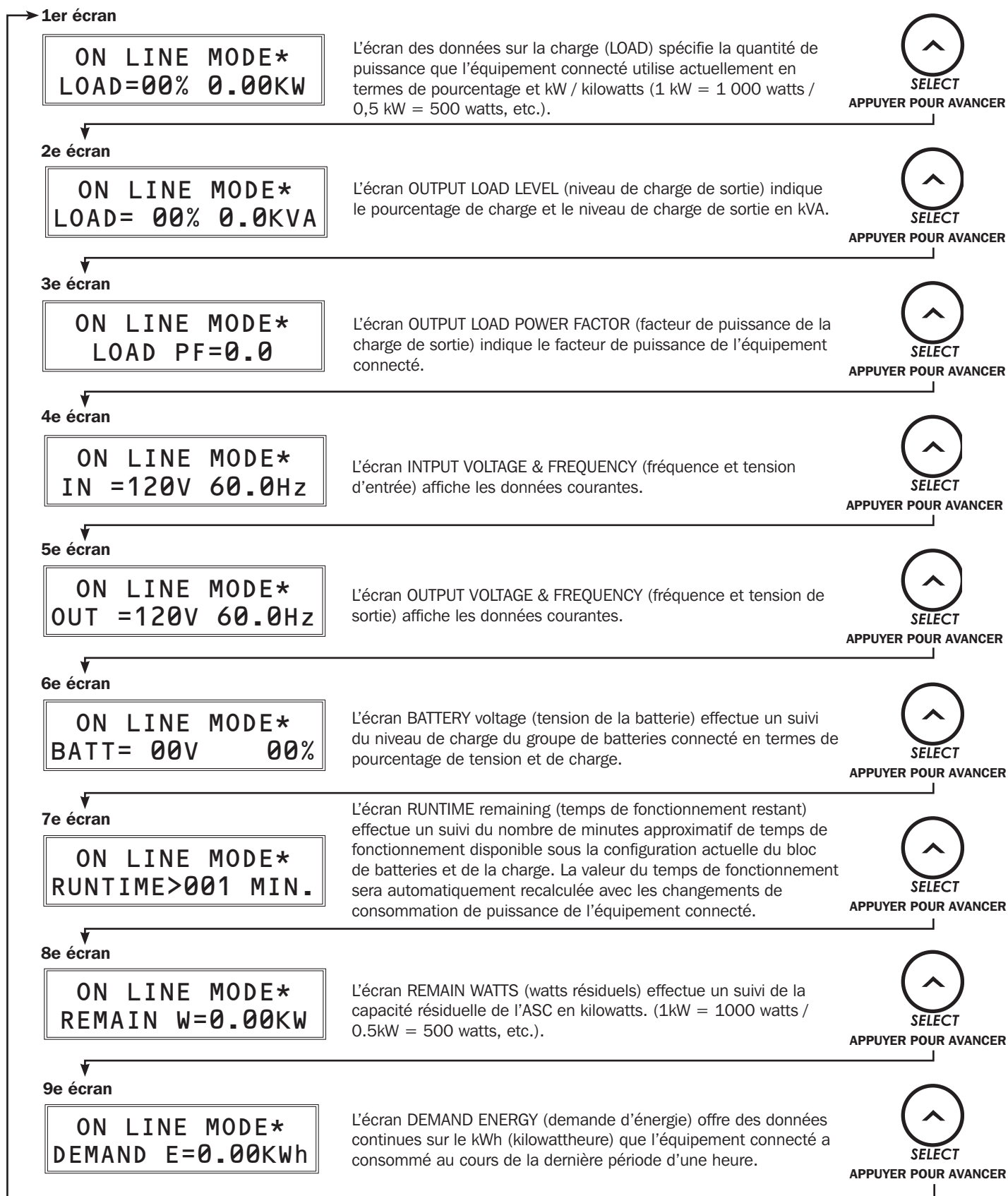
1. ON LINE MODE (mode en ligne)
2. ON BATTERY MODE (mode batterie)
3. ECONOMY MODE (mode économie)
4. STANDBY MODE (mode attente)
5. BYPASS MODE (mode de dérivation)
6. FREQ CONVERTER (convertisseur de fréquence)

#### Écrans de données (deuxième ligne)

1. POURCENTAGE ET KILOWATTS DE LA CHARGE
2. POURCENTAGE DE LA CHARGE DE SORTIE ET CHARGE (KVA)
3. FACTEUR DE PUISSANCE DE LA CHARGE DE SORTIE
4. TENSION ET FRÉQUENCE D'ENTRÉE
5. TENSION ET FRÉQUENCE DE SORTIE
6. TENSION ET PORCENTAGE DE CAPACITÉ DE LA BATTERIE
7. TEMPS DE FONCTIONNEMENT APPROXIMATIF DE LA BATTERIE (MINUTES)
8. WATTS / CAPACITÉ RÉSIDUELS
9. DEMANDE D'ÉNERGIE PENDANT LA DERNIÈRE HEURE (KILOWATT/HEURE)

# Fonctionnement

## Statut de l'ACL et mesures supportées



\*L'ensemble de 9 écrans d'information est illustré en MODE ON LINE (en ligne), mais peut également être vu dans les 6 modes de fonctionnement.

## Aperçu du réglage de l'ASC

L'ASC supporte une variété d'options de configuration avancées qui peuvent être configurées vis le **logiciel PowerAlert, l'écran ACL du panneau avant et le logiciel de configuration des batteries externes**. Plusieurs des configurations peuvent être ajustées en utilisant plusieurs de ces méthodes.

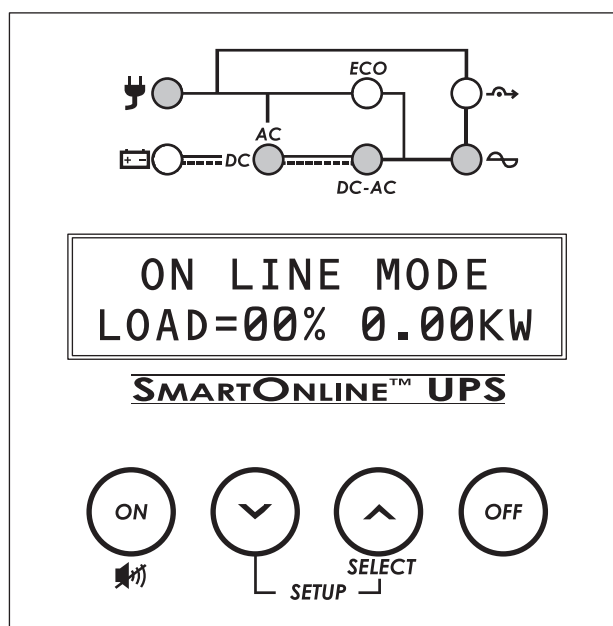
### 1. Utiliser le logiciel PowerAlert

Le logiciel PowerAlert (inclus sur CD ou disponible comme un téléchargement gratuit sur le Web à [www.tripplite.com](http://www.tripplite.com)) peut être utilisé pour configurer l'activation et la désactivation du mode Economy (économie). Le logiciel supporte également la planification du fonctionnement en mode Economy (économie0, vous permettant de configurer des minuteries pour engager et dégager le mode Economy (économie).

### 2. Utiliser l'interface ACL

Cette ASC supporte une variété d'options de configuration de l'utilisateur et de configurations personnalisées auxquelles on peut accéder vis l'écran ACL du panneau avant. Les éléments de configuration et d'information incluent :

- |   |  |
|---|--|
| 1. Output Voltage<br>(tension de sortie)                  | 9. Economy Mode<br>(mode économie)                     |
| 2. Output Frequency<br>(fréquence de sortie)              | 10. Cold Start<br>(démarrage à froid)                  |
| 3. Bypass Range<br>(plage de dérivation)                  | 11. Battery Test<br>(test des batteries)               |
| 4. Overload Alarm<br>(alarme de surcharge)                | 12. External Batt<br>(batteries externes)              |
| 5. Shutdown After<br>(mise hors tension après)            | 13. Audible Alarm<br>(alarme audible)                  |
| 6. Battery Save<br>(sauvegarde des batteries)             | 14. Factory Default (réglage par<br>défaut de l'usine) |
| 7. Standby Mode<br>(mode attente)                         | 15. Alarm History<br>(historique de l'alarme)          |
| 8. Frequency Converter<br>(convertisseur de<br>fréquence) | 16. Information (informations)                         |



Pour accéder à ces options de l'utilisateur, accéder au menu UPS SET-UP (configuration de l'ASC) en appuyant simultanément sur les boutons SCROLL UP (défiler vers le haut) et SCROLL DOWN (défiler vers le bas) pendant au moins 3 secondes. L'écran signalera UPS SET-UP (configuration de l'ASC) dans la rangée supérieure et EXIT ENTER dans la rangée du bas. Accéder au menu de configuration en appuyant sur le bouton se trouvant directement sous le mot « ENTER » dans l'ACL (le bouton SCROLL DOWN). En mode Set-Up (configuration), la seconde rangée va toujours identifier la fonction des deux boutons de défilement (« V » et « ^ »). Lorsqu'une valeur est « établie » vis l'ACL, l'affichage indiquera un « \* » suivi immédiatement d'une nouvelle valeur.

**Il n'est pas possible d'accéder à plusieurs éléments de configuration ACL en mode ON LINE (en ligne), ON BATTERY (batterie), ECONOMY (économie) ou FREQ CONVERTER (convertisseur de fréquence). Mettre hors tension l'équipement connecté et régler l'ASC en mode STANDBY (attente) avant d'accéder au menu UPS SET-UP (configuration de l'ASC) pour obtenir accès à tous les éléments de configuration.**

Chaque fois que vous accédez au menu UPS SET-UP (configuration de l'ASC), vous devrez défiler parmi les 16 fonctions jusqu'à ce que vous aperceviez de nouveau l'écran du menu UPS SET-UP ENTER / EXIT et que EXIT (^) est sélectionné. Vous pouvez alors mettre sous tension l'ASC et tous les éléments du menu ayant été changés prendront effet. Ci-dessous, nous présenteront l'ordre des opérations dans le menu UPS Setup avec une brève description de chaque écran de configuration.

**Si vous pensez avoir peut-être activé, désactivé ou spécifié des valeurs de configuration avancées qui peuvent ne pas être idéales pour votre configuration, réinitialisez simplement à FACTORY DEFAULT (réglage par défaut de l'usine) pour remettre tous les éléments de réglage à la configuration originale de l'usine.**

*Remarque : Les valeurs dans l'ACL accompagnées du symbole reflètent la valeur SET (établie) courante pour cet attribut.*

## Fonctionnement

### Orde des opérations pour la configuration de l'ASC

Pour accéder aux écrans UPS Setup (configuration de l'ASC), appuyer simultanément sur les boutons SCROLL (v) et SELECT (^) et les maintenir pendant 3 secondes

#### 1 L'écran de sélection OUTPUT VOLTAGE (tension de sortie) apparaîtra.

OUTPUT VOLTAGE  
SCROLL SELECT



Pour passer à l'écran suivant :  
A SCROLL (v)

Pour changer cette configuration :  
Appuyer sur « SELECT » (^)

Remarque : L'ASC doit se trouver en mode Standby (attente) pour changer cette configuration.

OUTPUT VOLTAGE (tension de sortie) se réfère à la tension de sortie nominale de l'ASC. Cette valeur est le plus souvent établie pour correspondre à la tension nominale en vigueur dans le pays ou spécifique à la région. En général, utiliser 120 V pour les É.-U. et le Canada, 127 V pour le Mexique et 100 V pour le Japon. Des valeurs additionnelles de 100 et 115 V sont également disponibles. *Remarque : Certaines configurations de la tension entraîneront un déclassement automatique. Consulter les spécifications sur l'étiquette de l'appareil pour des renseignements sur le déclassement*

120V\*  
SCROLL SELECT

Appuyer sur « SELECT » (^) pour ÉTABLIR cette valeur.

Appuyer sur « SCROLL » (v) pour passer à l'option suivante. Les valeurs disponibles sont : 100, 110, 115, 120 et 127 V.

Appuyer sur SCROLL (v) pour naviguer parmi les options et appuyer sur SELECT (^) pour ÉTABLIR.

#### 2 L'écran de sélection OUTPUT FREQUENCY (fréquence de sortie) apparaîtra.

OUTPUT FREQUENCY  
SCROLL SELECT



Pour passer à l'écran suivant :  
A SCROLL (v)

Pour changer cette configuration :  
Appuyer sur « SELECT » (^)

Remarque : L'ASC doit se trouver en mode Standby (attente) pour changer cette configuration.

OUTPUT FREQUENCY (fréquence de sortie) se réfère aux cycles par seconde (Hz) de la puissance de sortie de l'ASC. Cette valeur est le plus souvent établie pour correspondre à la fréquence en vigueur dans le pays ou spécifique à la région. En général, les É.-U., le Canada et le Mexique utilisent la configuration de 60 Hz de l'usine. Dans les endroits où 100 à 127 V et 50 Hz prévalent, comme la Jamaïque, Antigua et certaines régions du Japon, régler l'ASC à 50 Hz. Pour configurer avec succès votre ASC pour convertir le réglage de 50 à 60 Hz ou de 60 à 50 Hz, régler les DEUX OUTPUT FREQUENCY selon le réglage désiré et activer cette fonction en réglant FREQ CONVERSION (conversion de la fréquence) à ENABLE (activé).

60HZ\*  
SCROLL SELECT

Appuyer sur « SELECT » (^) pour ÉTABLIR cette valeur.

Appuyer sur « SCROLL » (v) pour passer à l'option suivante. Les valeurs disponibles sont : 60 Hz, 50 Hz.

Défiler parmi les valeurs disponibles et appuyer sur SELECT (^) pour ÉTABLIR. Réglage par défaut de l'usine = 60 Hz

#### 3 L'écran de sélection BYPASS RANGE (plage de dérivation) apparaîtra.

BYPASS RANGE  
SCROLL SELECT



Pour passer à l'écran suivant :  
A SCROLL (v)

Pour changer cette configuration :  
Appuyer sur « SELECT » (^)

BYPASS RANGE (plage de dérivation) : Lorsque le mode ECONOMY (économie) est activé, l'ASC permettra à la tension de secteur, dont la qualité est déjà suffisante, de circuler à travers l'équipement connecté inchangée. La commande BYPASS RANGE offre aux utilisateurs la possibilité de contrôler la quantité de déviation de la tension nominale sélectionnée avant de retourner automatiquement en mode on-line (en ligne). La configuration de l'usine WIDE est compatible avec la vaste majorité de l'équipement de réseautage. À l'aide de cette commande, même les utilisateurs d'équipement le plus sensible peuvent utiliser l'ASC en mode économie en sélectionnant les valeurs préétablies alternatives. Peu importe la valeur « plus ou moins » saisie, la tension de dérivation la plus élevée disponible est 135 V. La tension de dérivation la plus basse est 90 V (pleine charge) et 70 V (< charge < 70 %). La plage « Wide » reflète les mêmes valeurs (pleine charge 90 à 135 V) / charge < 70 % 70 à 135 V).

WIDE\*  
SCROLL SELECT

Appuyer sur « SELECT » (^) pour ÉTABLIR cette valeur.

Appuyer sur « SCROLL » (v) pour passer à l'option suivante. Les valeurs disponibles sont : +/-5, 6, 7, 8, 9, 10, 11, 12, 13, 14, 15 % et wide (large).

Défiler parmi les valeurs disponibles et appuyer sur SELECT (^) pour ÉTABLIR.

Réglage par défaut de l'usine = WIDE

Suite à la page 80.

## Fonctionnement

### 4 L'écran de sélection OVERLOAD ALARM (alarme de surcharge) apparaîtra.

OVERLOAD ALARM  
SCROLL SELECT

OVERLOAD ALARM (alarme de surcharge) se réfère au point où l'ASC fera retentir son alarme de surcharge. Le réglage de l'usine de 105 % fournira des avertissements de surcharge adéquats pour la plupart des applications, mais des valeurs alternatives de 5 % à la valeur par défaut de 105 % (par intervalles de 5 %) sont disponibles pour des configurations personnalisées.



Pour passer à l'écran suivant :  
A SCROLL (v)

Pour changer cette configuration :  
Appuyer sur « SELECT » (^)

105%\*  
SCROLL SELECT

Appuyer sur « SELECT » (^) pour ÉTABLIR cette valeur. Appuyer sur « SCROLL » (v) pour passer à l'option suivante. Les valeurs disponibles sont : 5 à 105 % (par intervalle de 5%)

Défiler parmi les valeurs disponibles et appuyer sur SELECT (^) pour ÉTABLIR.  
Réglage par défaut de l'usine = 105 %

### 5 L'écran de sélection SHUTDOWN AFTER (mise hors tension après) apparaîtra.

SHUTDOWN AFTER  
SCROLL SELECT

SHUTDOWN AFTER se réfère à la quantité de temps de fonctionnement de l'ASC en cas de coupure de courant avant de se mettre hors tension. La configuration de l'usine pour DISABLE (désactivé) convient aux applications où le temps de fonctionnement le plus long possible est désiré. Dans les cas où un temps de fonctionnement spécifique est nécessaire (et pas plus), vous pouvez régler la valeur de mise hors tension ensuite à un nombre spécifique se situant entre 5 et 90 minutes (par intervalles de 5 minutes) en utilisant cette commande.



Pour passer à l'écran suivant :  
A SCROLL (v)

Pour changer cette configuration :  
Appuyer sur « SELECT » (^)

DISABLE\*  
SCROLL SELECT

Appuyer sur « SELECT » (^) pour ÉTABLIR cette valeur. Appuyer sur « SCROLL » (v) pour passer à l'option suivante. Les valeurs disponibles sont : 5 à 90 minutes (par intervalle de 5 min.)

Défiler parmi les valeurs disponibles et appuyer sur SELECT (^) pour ÉTABLIR. Réglage par défaut de l'usine = DISABLE (désactivé)

### 6 L'écran de sélection BATTERY SAVE (sauvegarde des batteries) apparaîtra.

BATTERY SAVE  
SCROLL SELECT

L'option BATTERY SAVE (économie d'énergie de la batterie) permet la mise hors tension automatique de l'ASC en mode batterie lorsqu'un fonctionnement continu ne s'avère pas nécessaire. Cette option permet d'empêcher la décharge inutile des batteries en mettant hors tension l'alimentation de l'ASC une fois que le niveau de charge tombe en-deçà un certain pourcentage pouvant être sélectionné par l'utilisateur pendant une période continue de 10 minutes. Des configurations sont disponibles pour activer la mise hors tension à des niveaux de charge se situant entre 5 et 95 % (en incréments de 5 %). Cette fonction est idéale pour les configurations non surveillées de l'ASC où l'équipement connecté consomme une quantité importante de la capacité de l'ASC, mais est par la suite mis hors tension, ou lorsque des dispositifs sont connectés à une ASC mais ne sont pas initialement alimentés et, par conséquent, ne nécessitent aucune puissance de secours de la batterie. Les utilisateurs peuvent déterminer la valeur de consigne idéale du pourcentage en surveillant l'écran ACL du niveau de charge de l'ASC pour la consommation de puissance typique à la fois en mode de fonctionnement et en mode de mise hors tension. Par exemple, si l'équipement consomme normalement entre 40 et 100 % de la capacité de l'ASC durant son fonctionnement, mais baisse à 3 % une fois mis hors tension, une configuration de pourcentage d'économie d'énergie de la batterie de 5 % serait idéale. Une fois que la consommation d'énergie de l'équipement connecté tombe en dessous d'un pourcentage sélectionné pendant une période continue de 10 minutes, l'ASC se met automatiquement hors tension, empêchant une décharge inutile des batteries. Le réglage par défaut à l'usine pour cette option est DISABLE (désactivée).



Suite à la page 81.



## Fonctionnement

Pour passer à l'écran suivant :  
A SCROLL (v)

Pour changer cette configuration :  
Appuyer sur « SELECT » (^)

DISABLE\*  
SCROLL SELECT

Appuyer sur « SELECT » (^) pour ÉTABLIR cette valeur. Appuyer sur « SCROLL » (v) pour passer à l'option suivante. Les valeurs disponibles sont : 5 à 95 % (par intervalle de 5 %)

Défiler parmi les valeurs disponibles et appuyer sur SELECT (^) pour ÉTABLIR. Réglage par défaut de l'usine = DISABLE (désactivé)

### 7 L'écran de sélection STANDBY MODE (mode attente) apparaîtra.

STANDBY MODE  
SCROLL SELECT

L'écran STANDBY MODE permet aux utilisateurs d'activer l'ASC pour fournir une puissance de sortie lorsqu'elle fonctionne en mode attente. La configuration de l'usine pour le mode attente est NO OUTPUT (aucune sortie). Dans cette configuration, l'écran fera défiler STANDBY MODE / PRESS ON KEY TO TURN UPS ON.

Remarque : Pour activer la sortie de puissance de dérivation en mode attente, sélectionner BYPASS OUTPUT sur l'écran de configuration du mode attente. Dans cette configuration, l'écran fera défiler BYPASS MODE / PRESS ON KEY TO TURN UPS ON.



Pour passer à l'écran suivant :  
A SCROLL (v)

Pour changer cette configuration :  
Appuyer sur « SELECT » (^)

Remarque : L'ASC doit se trouver en mode Standby (attente) pour changer cette configuration.

NO OUTPUT\*  
SCROLL SELECT

Appuyer sur « SELECT » (^) pour ÉTABLIR cette valeur. Appuyer sur « SCROLL » (v) pour passer à l'option suivante. Les valeurs disponibles sont : No output (aucune sortie) et Bypass output (sortie de dérivation).

Défiler parmi les valeurs disponibles et appuyer sur SELECT (^) pour ÉTABLIR. Réglage par défaut de l'usine = NO OUTPUT (aucune sortie)

### 8 L'écran de sélection FREQUENCY CONVERTER (convertisseur de fréquence) apparaîtra.

FREQ CONVERTER  
SCROLL SELECT

FREQUENCY CONVERTER (convertisseur de fréquence) se réfère à la capacité de l'ASC à convertir de 60 Hz à 50 Hz ou de 50 Hz à 60 Hz. Le système d'ASC sélectionne automatiquement 50 Hz ou 60 Hz selon les conditions du courant de secteur au moment du démarrage. La configuration de l'usine pour DISABLE (désactivé) est idéale pour la plupart des applications. Certains utilisateurs souhaitent convertir la fréquence pour l'équipement connecté. Pour configurer avec succès votre ASC pour la conversion de la fréquence, ACTIVER la fonction FREQUENCY CONVERTER et RÉGLER la fonction OUTPUT FREQUENCY au réglage désiré de 50 ou 60 Hz.



Pour passer à l'écran suivant :  
A SCROLL (v)

Pour changer cette configuration :  
Appuyer sur « SELECT » (^)

Remarque : L'ASC doit se trouver en mode Standby (attente) pour changer cette configuration.

DISABLE\*  
SCROLL SELECT

Appuyer sur « SELECT » (^) pour ÉTABLIR cette valeur. Appuyer sur « SCROLL » (v) pour passer à l'option suivante. Les valeurs disponibles sont : ENABLE (activé), DISABLE (désactivé).

Défiler parmi les valeurs disponibles et appuyer sur SELECT (^) pour ÉTABLIR. Réglage par défaut de l'usine = DISABLE (désactivé)

Suite à la page 82.

## Fonctionnement

### 9 L'écran de sélection ECONOMY MODE (mode économie) apparaîtra.

ECONOMY MODE  
SCROLL SELECT



Pour passer à  
l'écran suivant :  
A SCROLL (v)

Pour changer cette  
configuration :  
Appuyer sur  
« SELECT » (^)

ECONOMY MODE (mode économie) est une configuration de l'ASC qui permet d'améliorer l'efficacité et réduire le dégagement de BTU en interrompant les circuits à conversion double à chaque fois que la qualité de la puissance de sortie est suffisante pour faire fonctionner l'équipement connecté. En mode économie, l'ASC consulte la configuration BYPASS RANGE actuelle (+/-5 % à 10 %). Lorsque la tension de sortie s'écarte du pourcentage préétabli sélectionné, l'ASC va automatiquement passer en mode en ligne. Lorsque la tension d'entrée revient à l'intérieur des réglages de la plage de dérivation, l'ASC va automatiquement retourner en mode économie. Remarque : La plage de réglage suggérée est de +/- 5 % à +/- 10 %

DISABLE\*  
SCROLL SELECT

Appuyer sur « SELECT » (^) pour ÉTABLIR cette valeur. Appuyer sur « SCROLL » (v) pour passer à l'option suivante. Les valeurs disponibles sont : ENABLE (activé), DISABLE (désactivé).

Défiler parmi les valeurs disponibles et appuyer sur SELECT (^) pour ÉTABLIR.  
Réglage par défaut de l'usine = DISABLE (désactivé)

### 10 L'écran de sélection COLD START (démarrage à froid) apparaîtra.

COLD START  
SCROLL SELECT



Pour passer à  
l'écran suivant :  
A SCROLL (v)

Pour changer cette  
configuration :  
Appuyer sur  
« SELECT » (^)

Le mode COLD START (DÉMARRAGE À FROID) réfère à la capacité d'un système d'alimentation sans coupure (UPS) d'être commuté en circuit dans le mode d'alimentation par batterie pour un fonctionnement temporaire lors d'une rupture de courant. Pour démarrer à froid votre système d'alimentation sans coupure (UPS), pressez et retenez le bouton ON (MARCHE) jusqu'à ce vous entendiez un bip; relâchez alors le bouton. La fonction COLD START DISABLE (DÉSACTIVATION DU DÉMARRAGE À FROID) est disponible une seule fois pour prévenir un démarrage accidentel lorsque le système d'alimentation sans coupure (UPS) est entreposé ou transporté. Lorsque le mode COLD START (DÉMARRAGE À FROID) est configuré à DISABLE (DÉSACTIVÉ), le système d'alimentation sans coupure (UPS) ne peut pas être démarré à froid de nouveau jusqu'à ce qu'il soit rebranché à une prise de courant c.a. active valide. Pour désactiver le mode DÉMARRAGE À FROID (DISABLE COLD START) pour l'expédition ou l'entreposage, passez au menu UPS SETUP (CONFIGURATION DU SYSTÈME D'ALIMENTATION SANS COUPURE) alors que le système d'alimentation sans coupure (UPS) est en opération dans le MODE BATTERIE (BATTERY MODE) et sélectionnez DISABLE (DÉSACTIVER) (la fonction du démarrage à froid ne peut pas être désactivée dans les autres modes). Puis, pressez et retenez le bouton OFF (ARRÊT); emballez le système d'alimentation sans coupure (UPS) pour l'expédition ou l'entreposage.

Remarque : Si le démarrage automatique est désactivé alors qu'une alimentation c.a. valide est présente à l'entrée, l'ACL affichera le message WILL BE ENABLED WITH VALID AC (S'ACTIVERA AVEC UNE ALIMENTATION C.A. VALIDE). Le système d'alimentation sans coupure (UPS) activera automatiquement le démarrage à froid aussitôt que l'alimentation c.a. valide est détectée à l'entrée.

ENABLE\*  
SCROLL SELECT

Appuyer sur « SELECT » (^) pour ÉTABLIR cette valeur. Appuyer sur « SCROLL » (v) pour passer à l'option suivante. Les valeurs disponibles sont : ENABLE (activé), DISABLE (désactivé).

Défiler parmi les valeurs disponibles et appuyer sur SELECT (^) pour ÉTABLIR.  
Réglage par défaut de l'usine = DISABLE (désactivé)

Remarque : Le système d'alimentation sans coupure (UPS) doit être dans le BATTERY MODE (MODE BATTERIE) pour accéder à COLD START DISABLE (DÉSACTIVATION DU DÉMARRAGE À FROID).

Suite à la page 83.

## Fonctionnement

### 11 L'écran de sélection BATTERY TEST (test des batteries) apparaîtra.

BATTERY TEST  
SCROLL SELECT



Pour passer à l'écran suivant :  
A SCROLL (v)

Pour changer cette configuration :  
Appuyer sur « SELECT » (^)

BATTERY TEST (test des batteries) se réfère à la capacité de l'ASC à effectuer des autotests réguliers du système des batteries. Lors du BATTERY TEST (test de la batterie), l'ASC va momentanément passer en mode Batterie et alerter les utilisateurs de conditions de panne opérationnelles potentielles de l'AS ou liées aux batteries. La configuration de l'usine pour MONTHLY (mensuel) est idéale pour la plupart des applications. Les options de configuration WEEKLY (hebdomadaire) et DISABLE (désactivé) sont également disponibles.

MONTHLY\*  
SCROLL SELECT

Appuyer sur « SELECT » (^) pour ÉTABLIR cette valeur. Appuyer sur « SCROLL » (v) pour passer à l'option suivante.

Les valeurs disponibles sont : WEEKLY (hebdomadaire), MONTHLY (mensuel), NO TEST (aucun test)

Défiler parmi les valeurs disponibles et appuyer sur SELECT (^) pour ÉTABLIR.

Réglage par défaut de l'usine = MONTHLY (mensuel)

### 12 L'écran de sélection EXTERNAL BATTERY TYPE (type des batteries externes) apparaîtra.

EXTERNAL BATT  
SCROLL SELECT



Pour passer à l'écran suivant :  
A SCROLL (v)

Pour changer cette configuration :  
Appuyer sur « SELECT » (^)

EXTERNAL BATTERY TYPE (TYPE DE BATTERIE EXTERNE) réfère à la capacité du système d'alimentation sans coupure (UPS) de détecter quel ensemble de batteries externes est branché pour améliorer la précision du compte à rebours du MINUTES RUNTIME (TEMPS DE FONCTIONNEMENT EN MINUTES) lors d'une coupure de courant. L'interface ACL supporte l'ajout d'un seul bloc de batteries externes en sélectionnant le numéro de pièce du système de batteries en utilisant l'écran ACL. Votre système d'alimentation sans coupure (UPS) peut aussi être configuré pour des modèles d'ensemble de batteries additionnels ou pour des ensembles de batteries multiples lorsqu'ils sont supportés, mais ces configurations nécessitent l'utilisation du logiciel EXTERNAL BATTERY CONFIGURATION TOOL (OUTIL DE CONFIGURATION POUR BATTERIE EXTERNE) disponible à la section du soutien du site <http://www.tripplite.com/bpconfig>.

NO BP\*  
SCROLL SELECT

Appuyer sur « SELECT » (^) pour ÉTABLIR cette valeur.

Appuyer sur « SCROLL » (v) pour passer à l'option suivante.

Les valeurs disponibles sont :

MODÈLE DE L'ASC	Réglage par défaut de l'usine	Configuration via l'écran ACL		Configuration via le logiciel EXTERNAL BATTERY CONFIGURATION TOOL (OUTIL DE CONFIGURATION POUR BATTERIE EXTERNE)
		Option 1 de bloc de batterie	Option 2 de bloc de batterie	Option 3 de l'ensemble de batteries 3 [BP TOOL (OUTIL POUR L'ENSEMBLE DE BATTERIES) à l'affichage ACL]
SU750RTXLCD2U	NO BP	BP24V15RT2U	BP24V28-2U	BP24V70RT3U (n'importe quel nombre)
SU1000RTXLCD2U	NO BP	BP24V15RT2U	BP24V28-2U	BP24V70RT3U (n'importe quel nombre)
SU1500RTXLCD2U	NO BP	BP48V24-2U	BP48V60RT3U	BP48V60RT3U (pour plus d'un)
SU2200RTXLCD2U	NO BP	BP48V24-2U	BP48V60RT3U	BP48V60RT3U (pour plus d'un)
SU3000RTXLCD3U	NO BP	BP72V15-2U	BP72V28RT-3U	BP72V28RT3U (pour plus d'un)

Défiler parmi les valeurs disponibles et appuyer sur SELECT (^) pour ÉTABLIR.  
Réglage par défaut de l'usine = NO BP

Suite à la page 84.

Suite à la page 84.

## Fonctionnement

Si vous planifiez utiliser votre système d'alimentation sans coupure (UPS) avec l'option supportée de l'ensemble de batteries additionnelles identifiée ci-dessus comme Option 3 -Ensemble de batteries, le logiciel « EXTERNAL BATTERY CONFIGURATION TOOL » (OUTIL DE CONFIGURATION DES BATTERIES EXTERNES) est requis. Suite à l'utilisation du logiciel « EXTERNAL BATTERY CONFIGURATION TOOL », le système d'alimentation sans coupure (UPS) affichera la configuration résultante comme « BP TOOL » (OUTIL ENSEMBLE DE BATTERIES) à l'écran ACL. Le « BP TOOL » est présent comme une option pouvant être visualisée à l'écran ACL, mais ne peut pas être lui-même sélectionné [si une tentative de sélectionner « BP TOOL » survient, l'écran affichera « READ ONLY. SELECT BY BP TOOL » (LECTURE SEULEMENT. SÉLECTION PAR OUTIL D'ENSEMBLE DE BATTERIES) pour confirmer que la sélection n'a pas été acceptée]. Le logiciel « EXTERNAL BATTERY CONFIGURATION TOOL » (OUTIL DE CONFIGURATION DE BATTERIES EXTERNES) est une application Windows seulement et requiert une connexion par câble sériel au système d'alimentation sans coupure (UPS) pour fonctionner. Veuillez visiter le site <http://www.tripplite.com/bpconfig> pour télécharger le logiciel.

Modèles de blocs de batteries qui nécessitent l'utilisation du logiciel de configuration des batteries externes :

MODÈLE D'ASC	MODÈLE DU BLOC DE BATTERIES
SU750RTXLCD2U	BP24V70RT3U (peu importe le nombre)
SU1000RTXLCD2U	BP24V70RT3U (peu importe le nombre)
SU1500RTXLCD2U	BP48V60RT3U (pour plus de 1)
SU2200RTXLCD2U	BP48V60RT3U (pour plus de 1)
SU3000RTXLCD3U	BP72V28RT3U (pour plus de 1)

### 13 L'écran de sélection **FACTORY DEFAULT (configuration par défaut de l'usine)** apparaîtra.

FACTORY DEFAULT  
SCROLL SELECT



Pour passer à  
l'écran suivant :  
A SCROLL (v)

Pour changer cette  
configuration

:Appuyer sur  
« SELECT » (^)

Remarque : L'ASC doit se  
trouver en mode Standby  
(attente) pour changer  
cette configuration.

FACTORY DEFAULT offre aux utilisateurs une façon simple et rapide de redonner à l'ASC ses configuration d'origine de l'usine. En sélectionnant YES (oui) pour FACTORY DEFAULT sur les écrans de configuration ACL, l'ASC va immédiatement reprendre ses configurations et ses ensembles de pré-réglages d'expédition d'origine.

Le fait d'effectuer un FACTORY DEFAULT permet de restaurer les configurations d'usine suivantes :

OUTPUT VOLTAGE (tension de sortie) = 120

OUTPUT FREQUENCY (fréquence de sortie) = 60 Hz

BYPASS RANGE (plage de dérivation) = WIDE (large)

OVERLOAD ALARM (alarme de surcharge) = 105 %

SHUTDOWN AFTER (mise hors tension ensuite) = DISABLE (désactivé)

BATTERY SAVE (sauvegarde des batteries) = DISABLE (désactivée)

STANDBY MODE (mode attente) = NO OUTPUT (aucune sortie)

FREQ CONVERTER (convertisseur de fréquence) = DISABLE (désactivé)

ECONOMY MODE (mode économie) = DISABLE (désactivé)

COLD START (démarrage à froid) = ENABLE (activation)

BATTERY TEST (test des batteries) = MONTHLY (mensuel)

EXTERNAL BATT (batteries externes) = NO BP

FACTORY DEFAULT (réglage par défaut de l'usine) = YES (oui)

AUDIBLE ALARM (alarme audible) = ENABLE (activée)

ALARM HISTORY (historique de l'alarme) = ALL

MESSAGES CLEARED (tous les messages supprimés)

INFORMATION = NO CHANGE (aucun changement)

NO  
SCROLL SELECT

Appuyer sur « SELECT » (^) pour ÉTABLIR cette valeur. Appuyer sur « SCROLL » (v) pour passer à l'option suivante. Les valeurs disponibles sont : NO (non), YES (oui)

Défiler parmi les valeurs disponibles et appuyer sur SELECT (^) pour ÉTABLIR.

Réglage par défaut de l'usine = aucune

### 14 L'écran de sélection **AUDIBLE ALARM (alarme audible)** apparaîtra.

AUDIBLE ALARM  
SCROLL SELECT



Suite à la page 85.

L'écran ALARM AUDIBLE permet à l'utilisateur d'activer ou de désactiver de façon permanente l'alarme audible de l'ASC en cas d'un événement d'alarme. La configuration de l'usine ENABLE (activé) est idéale pour la plupart des applications. Certaines applications peuvent exiger que l'alarme soit désactivée, dans un tel cas, l'option DISABLE doit être sélectionnée.

## Fonctionnement

Pour passer à l'écran suivant :  
A SCROLL (v)

Pour changer cette configuration :  
Appuyer sur « SELECT » (^)

ENABLE\*  
SCROLL SELECT

Appuyer sur « SELECT » (^) pour ÉTABLIR cette valeur. Appuyer sur « SCROLL » (v) pour passer à l'option suivante. Les valeurs disponibles sont : ENABLE (activé), DISABLE (désactivé)

Défiler parmi les valeurs disponibles et appuyer sur SELECT (^) pour ÉTABLIR.  
Réglage par défaut de l'usine : ENABLE (activé)

### 15 L'écran de sélection ALARM HISTORY (historique de l'alarme) apparaîtra.

ALARM HISTORY  
SCROLL SELECT



Pour passer à l'écran suivant :  
A SCROLL (v)

Pour changer cette configuration :  
Appuyer sur « SELECT » (^)

1: OVERLOAD  
SCROLL SELECT

Appuyer sur « SELECT » (^) pour ÉTABLIR cette valeur. Appuyer sur « SCROLL » (v) pour passer à l'option suivante. Les valeurs disponibles sont : ALARM HISTORY (historique des alarmes) 1 à 5 et ERASE (effacer).

Défiler parmi les valeurs disponibles et appuyer sur SELECT (^) pour ÉTABLIR.

### 16 L'écran INFORMATION apparaîtra.

INFORMATION  
SCROLL SELECT



Pour passer à l'écran suivant :  
A SCROLL (v)

Pour changer cette configuration :  
Appuyer sur «SELECT» (^)

FW VER:FW####  
SCROLL SELECT

Appuyer sur « SELECT » (^) pour QUITTER cette section. Appuyer sur « SCROLL » (v) pour passer à l'écran d'information suivant.

Informations disponibles : VERSION FIRMWARE  
VERSION, NO DE SÉRIE DE L'ASC, ADRESSE IP DE SNMP

Défiler parmi les valeurs disponibles et appuyer sur SELECT (^) pour QUITTER.

### 17 L'écran ORIGINAL UPS SET-UP EXIT/ENTER apparaîtra.

UPS SET-UP  
EXIT ENTER



Appuyer sur EXIT (v) pour quitter la section de configuration de l'AS.

Appuyer sur « ENTER » (^) pour accéder de nouveau aux écrans de configuration de l'ASC.

## Dépannage

Consulter le tableau ci-dessous pour des explications pour les codes d'erreur qui apparaissent dans ALARM HISTORY (historique de l'alarme) de l'écran UPS SETUP LCD (ACL de configuration de l'ASC) ainsi que des suggestions de solutions pour chaque erreur.

Affichage ACL	Description	Solution
<b>OVERLOAD</b>	La charge excède la capacité de l'ASC.	Réduire la charge connectée.
<b>O/P SHORT</b>	La sortie de l'ASC est court-circuitée.	Enlever la cause du court-circuit de la sortie de l'ASC.
<b>NO BATTERY</b>	Les batteries ne sont pas connectées à l'ASC.	Vérifier la connexion des batteries internes.
<b>SITE WIRING FAULT</b>	La connexion du câble de service public n'est pas correct.	Vérifier le câble de service public pour la présence de problèmes de câblage comme un câble inversé et un conducteur neutre ou une mise à la terre manquante.
<b>BATTERY FAULT</b>	L'ASC signalera une BATTERY FAULT (défaillance des batteries) si elle détermine que les batteries sont faibles après avoir effectué un autotest.	Permettre au système d'ASC de se charger pendant au moins 12 heures et effectuer un test des batteries en utilisant le bouton ON/ MUTE tel que décrit dans la section Caractéristiques. Si le second test a pour résultat le message BATTERY FAULT, remplacer les batteries et/ou contacter Tripp Lite pour obtenir de l'aide. Remarque : BATTERY FAULT est toujours accompagné d'une alarme audible qui émet un bip sonore à des intervalles de 2 secondes.
<b>OVER TEMP</b>	La température interne de l'ASC est supérieure à la limite.	Vérifier l'ASC afin de s'assurer qu'il y a suffisamment d'espace pour permettre à l'air de circuler près des événements et que le ventilateur fonctionne correctement. S'assurer que l'ASC se trouve dans un environnement dont la température se situe entre 0 et 40°C / 32 et 104°F.
<b>CHARGER FAULT</b>	Il y a des problèmes avec le circuit du chargeur.	Si le problème persiste, contacter Tripp Lite pour obtenir de l'aide.
<b>FAN FAULT</b>	Il y a des problèmes avec le ventilateur.	Vérifier la présence d'un objet qui empêche le ventilateur de tourner. Enlever l'objet. Si le problème persiste, contacter Tripp Lite pour obtenir de l'aide.
<b>+/-DC BUS HIGH/ LOW</b>	La tension interne du bus c.c. est trop élevée ou trop faible.	Si le problème persiste, contacter Tripp Lite pour obtenir de l'aide.
<b>BUS OVP</b>	La tension interne du bus c.c. est trop élevée.	Si le problème persiste, contacter Tripp Lite pour obtenir de l'aide.
<b>INVERT FAULT</b>	Il y a des problèmes avec le circuit de l'onduleur.	Si le problème persiste, contacter Tripp Lite pour obtenir de l'aide.
<b>DC-DC FAULT</b>	Il y a des problèmes avec le circuit de l'onduleur c.c. à c.c.	Si le problème persiste, contacter Tripp Lite pour obtenir de l'aide.
<b>I/P OVER CURRENT</b>	Il y a des problèmes avec le circuit PFC ou INV.	Si le problème persiste, contacter Tripp Lite pour obtenir de l'aide.

## Remplacement des batteries internes

**Volet de remplacement des batteries :** Dans des conditions normales d'utilisation, les batteries d'origine dans votre ASC dureront plusieurs années. Seul du personnel de service qualifié devrait remplacer les fusibles des batteries. Se référer à « Avertissements concernant les batteries » dans la section Sécurité. Si vous avez besoin d'une batterie de remplacement, vous pourrez la trouver à [www.tripplite.com/support/battery/index.cfm](http://www.tripplite.com/support/battery/index.cfm). Consulter le tableau ci-dessous pour trouver la bonne batterie de remplacement pour votre système d'ASC :

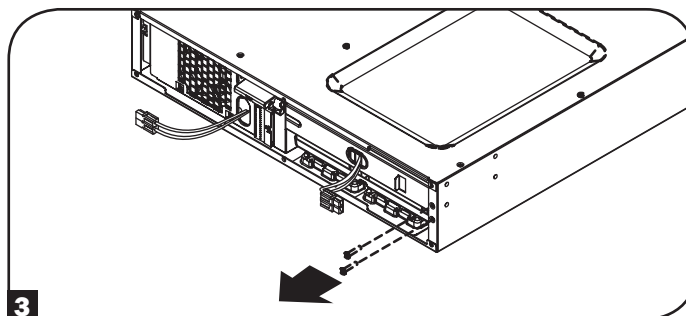
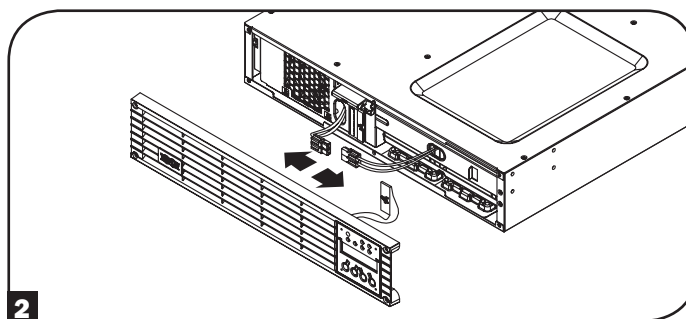
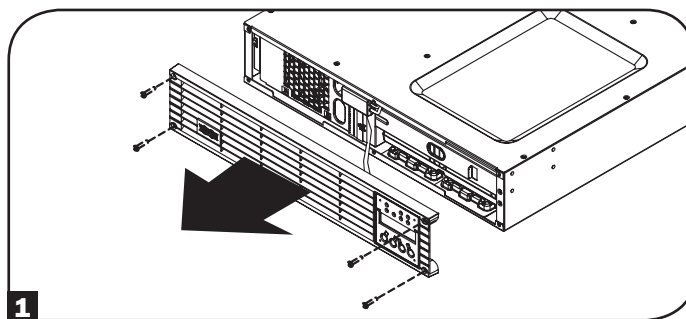
Modèle de l'ASC	Cartouche de batterie de remplacement
SU750RTLCD2U	RBC24V-LCD
SU1000RTLCD2U	RBC24V-LCD
SU1500RTLCD2U	RBC94-2U
SU2200RTLCD2U	RBC94-2U
SU3000RTLCD3U	RBC96-3U

Consulter les diagrammes suivantes pour les procédures de dépose et d'installation de la batterie.

### Modèles 2U

Remarque : Le SU1500RTLCD2U est illustré, mais la procédure est la même pour tous les autres unités 2U.

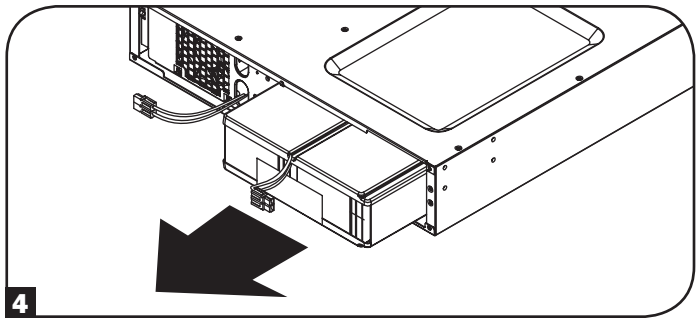
- 1** Enlever les 4 vis avant du panneau avant et enlever le panneau. Débrancher les connecteurs ACL pour l'enlever complètement.
- 2** Ouvrir le support de connecteur blanc. Déconnecter le connecteur qui se trouve à l'intérieur du support de connecteur blanc.
- 3** Enlever les deux vis qui retiennent la barre métallique en place (derrière le panneau avant du côté droit). Faire glisser la barre métallique vers la gauche et l'enlever de l'ASC.



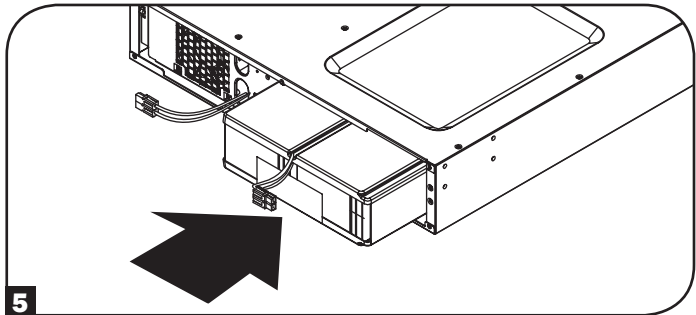
## Remplacement des batteries internes

- 4** Enlever les batteries en utilisant la languette de préhension.

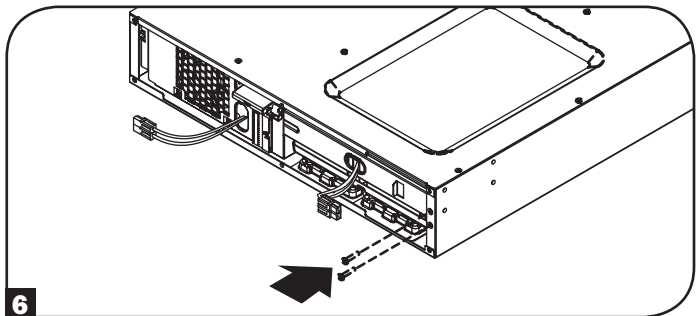
*Remarque : Veuillez mémoriser la position et l'orientation d'origine des batteries afin d'assurer la bonne installation des nouvelles batteries.*



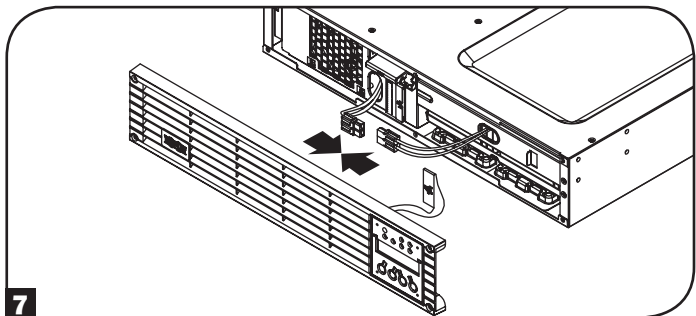
- 5** Insérer le nouvel ensemble de batteries dans l'ASC dans la même position que l'ensemble d'origine.



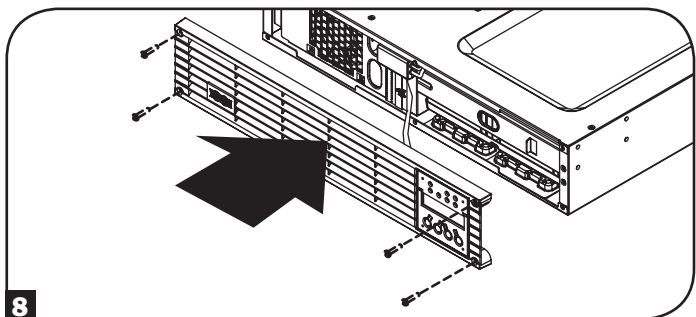
- 6** Replacer la barre métallique. Replacer les deux vis du côté droit qui retiennent la barre métallique en place.



- 7** Reconnecter le connecteur c.c. (rouge avec rouge, noir avec noir) et fermer le support de connecteur blanc.



- 8** Réattacher le connecteur de l'écran ACL sur la lunette. Remplacer les 4 vis avant pour retenir l'encadrement.



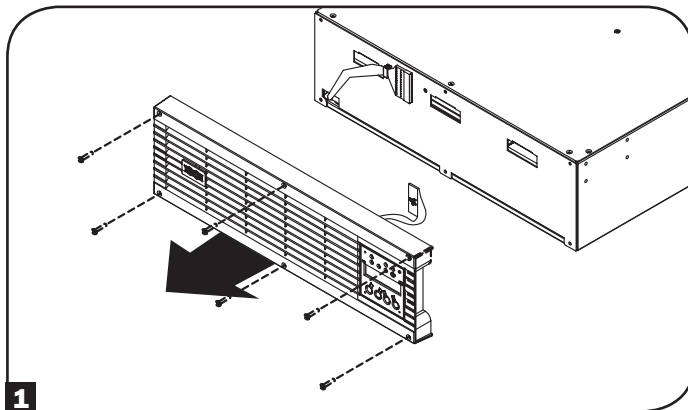


## Remplacement des batteries internes

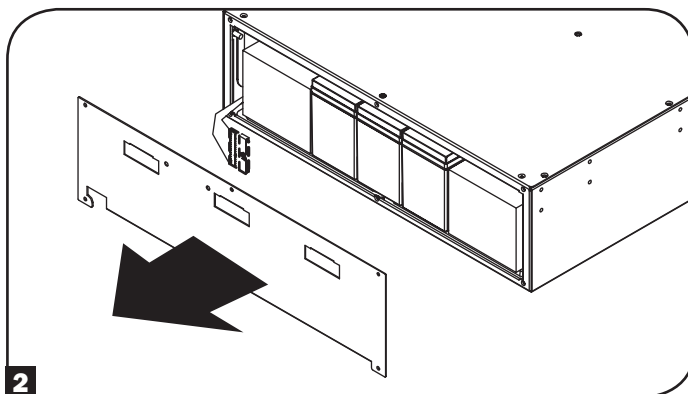
### Modèles 3U

Remarque : La configuration des batteries sur les modèles 3U est plus complexe et il est recommandé que cette opération ne soit effectuée que par du personnel de service qualifié.

- 1 Enlever les 6 vis avant du panneau avant et enlever le panneau. Débrancher les connecteurs ACL pour l'enlever complètement.

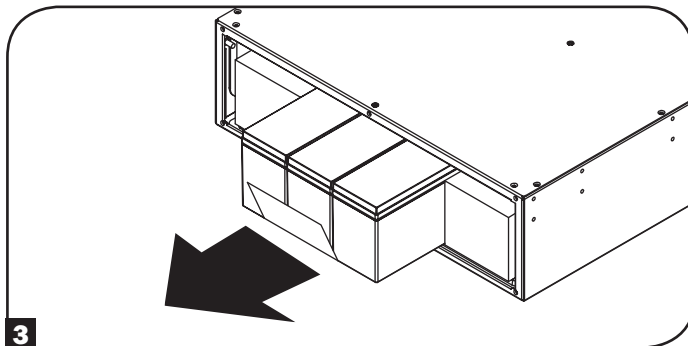


- 2 Enlever la plaque métallique se trouvant directement derrière le panneau avant.



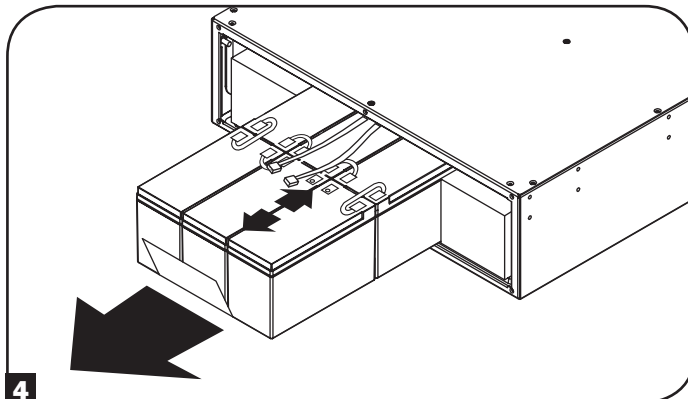
- 3 Utiliser la languette de préhension pour tirer la batteries vers vous.

Remarque : Veuillez mémoriser la position et l'orientation d'origine des batteries afin d'assurer la bonne installation des nouvelles batteries.



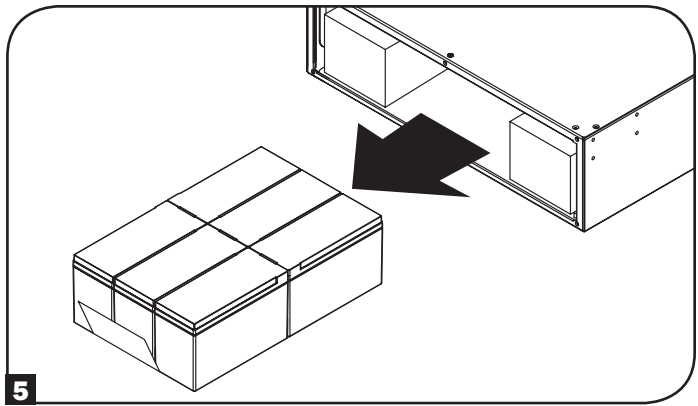
- 4 Déconnecter le connecteur rouge et le connecteur noir qui sont branchés aux batteries à partir de l'arrière de l'ASC.

Remarque : Il y a d'autres ensembles de cordons connectant les batteries aux autres batteries de l'ensemble, mais les connecteurs qui relient l'ensemble des batteries au système d'ASC sont ceux qui doivent être déconnectés pour le remplacement de la batterie.

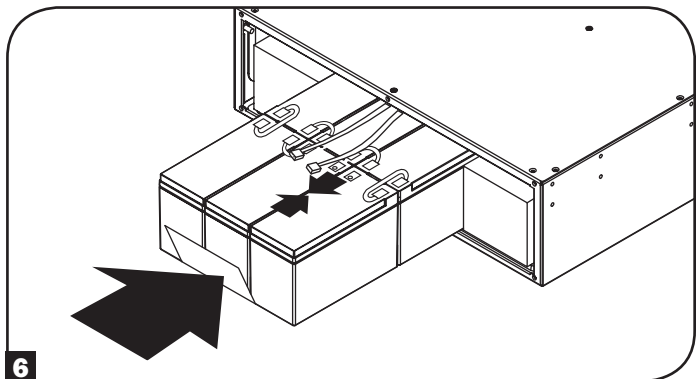


## Remplacement des batteries internes

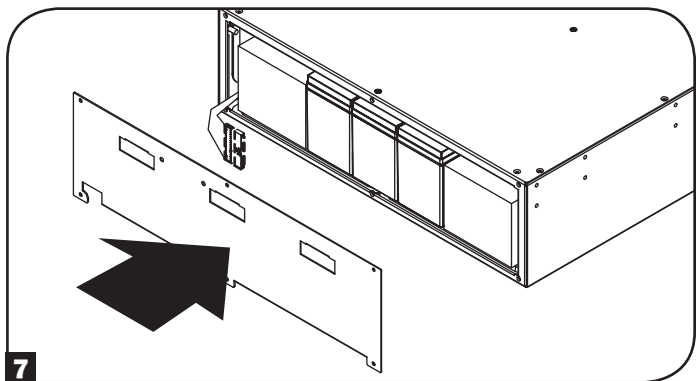
- 5** Enlever complètement les batteries à l'aide de la languette de préhension.



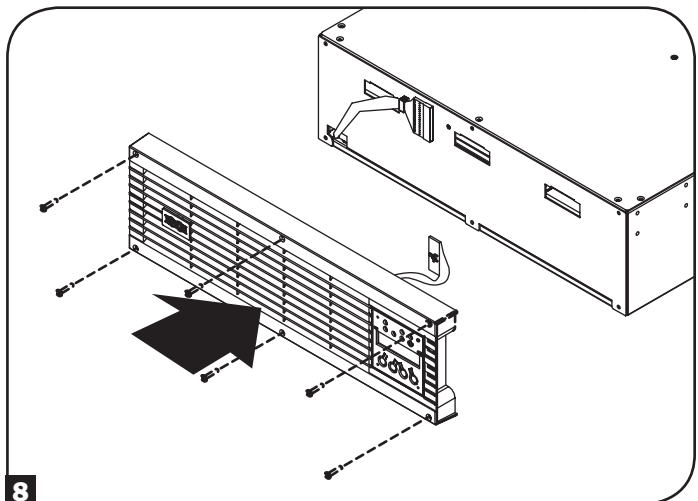
- 6** Insérer le nouvel ensemble de batteries dans l'ASC dans la même position que l'ensemble d'origine. Reconnecter les cordons rouge et noir au nouvel ensemble de batteries.



- 7** Replacer la plaque métallique.



- 8** Réattacher le connecteur de l'écran ACL sur le panneau avant. Remplacer les 6 vis avant pour retenir le panneau avant en place.



### Entreposage

Mettre d'abord l'ASC hors tension : appuyer sur le commutateur « OFF » pour désactiver les sorties de l'ASC, puis déconnecter le cordon d'alimentation de la prise murale. Ensuite, déconnecter tout l'équipement afin d'éviter de mettre les batteries à plat. Si vous prévoyez entreposer votre ASC pour une période de temps prolongée, recharger complètement les batteries de l'ASC une fois tous les trois mois en branchant l'ASC dans une source d'alimentation c.a. et en la laissant se charger pendant 4 à 6 heures. Si vous laissez les batteries de votre ASC déchargées pendant une période de temps prolongée, elles peuvent subir une perte de capacité permanente.

### Service

Des programmes de garantie prolongée et de service sur place sont également offerts par Tripp Lite. Pour plus de renseignements sur le service, visitez [www.tripplite.com/support](http://www.tripplite.com/support). Avant de retourner votre produit pour service, suivez les étapes suivantes :

1. Passer en revue les procédures d'installation et d'opération de ce manuel afin de vous assurer que le problème en question ne provient pas d'une fausse interprétation des instructions.
2. Si le problème persiste, ne pas contacter ou retourner le produit au détaillant. Visitez plutôt [www.tripplite.com/support](http://www.tripplite.com/support).
3. Si le problème nécessite des réparations, visitez [www.tripplite.com/support](http://www.tripplite.com/support) et cliquez sur le lien Product Returns (Retour des produits). De là, vous pouvez demander un numéro de retour de matériel (RMA) qui est requis pour une réparation. Ce formulaire simple en ligne vous demandera le modèle de l'unité et le numéro de série ainsi que d'autres renseignements généraux sur l'acheteur. Le numéro RMA ainsi que les instructions relatives à l'expédition vous seront envoyés par courriel. Tout dommage (direct, indirect, spécial ou consécutif) que le produit pourrait subir durant la livraison vers Tripp Lite ou un centre de réparation reconnu par Tripp Lite n'est pas couvert sous cette garantie. Les produits envoyés à Tripp Lite ou un centre de réparation reconnu par Tripp Lite doivent être envoyés en port prépayé. Inscrive le numéro RMA à l'extérieur de l'emballage. Si le produit est encore à l'intérieur de la période de garantie, veuillez inclure une copie de votre reçu. Retourner le produit pour réparation en utilisant un transporteur assuré à l'adresse qui vous sera donnée lors de votre demande de RMA.

**Numéros d'identification de conformité aux règlements :** À des fins de certification et d'identification de conformité aux règlements, votre produit Tripp Lite a reçu un numéro de série unique. Ce numéro se retrouve sur la plaque signalétique du produit, avec les inscriptions et les informations d'approbations requises. Lors d'une demande d'information de conformité pour ce produit, utiliser toujours le numéro de série. Il ne doit pas être confondu avec le nom de la marque ou le numéro de modèle du produit.

#### Spécifications du FCC pour les modèles avec approbation de classe A du FCC :

Ce dispositif est conforme à la partie 15 de la réglementation du FCC. L'utilisation est sujette aux deux conditions suivantes : (1) Ce dispositif ne peut pas causer d'interférences dommageables et (2) ce dispositif doit accepter toute interférence reçue, y compris les interférences pouvant causer un fonctionnement indésirable.

Remarque : Cet équipement a été testé et trouvé conforme aux limites pour un dispositif numérique de classe A, conformément à la partie 15 de la réglementation du FCC. Ces limites sont conçues pour fournir une protection raisonnable contre les interférences dangereuses lorsque l'équipement est utilisé dans un environnement commercial. Cet équipement génère, utilise et peut émettre de l'énergie radiofréquence et, s'il n'est pas installé et utilisé en conformité avec le manuel d'instruction, peut causer des interférences dangereuses aux communications radio. L'utilisation de cet équipement dans une zone résidentielle est susceptible d'entraîner des interférences dangereuses auquel cas l'utilisateur devra corriger les interférences à ses propres frais. L'utilisateur doit utiliser des câbles et des connecteurs blindés avec cet équipement. Tout changement ou modification apporté(e) à cet équipement n'ayant pas été expressément approuvé(e) par Tripp Lite annule l'autorité de l'utilisateur à utiliser cet équipement.

#### Avis de la partie 68 du FCC (États-Unis seulement)

Si la protection de votre modem / télécopieur cause des dommages au réseau téléphonique, la compagnie de téléphone peut temporairement discontinuer votre service. Si possible, vous serez avisé(e) à l'avance. S'il n'est pas possible de vous aviser à l'avance, vous serez avisé(e) aussitôt que possible. Vous serez avisé(e) de vos droits de porter plainte auprès du FCC. Votre compagnie de téléphone peut apporter des changements à ses installations, son équipement, ses activités ou ses procédures qui pourraient affecter le bon fonctionnement de votre équipement. Dans le cas de tels changements, vous serez informé(e) à l'avance afin d'avoir l'opportunité d'éviter que le service ne soit interrompu. Si vous éprouvez des difficultés avec la protection du modem / télécopieur de cet équipement, veuillez visiter [www.tripplite.com/support](http://www.tripplite.com/support) pour des informations concernant la réparation et la garantie. La compagnie de téléphone peut vous demander de déconnecter cet équipement du réseau jusqu'à ce que le problème ait été corrigé ou que vous soyez certain(e) que l'équipement n'est pas défectueux. Aucune réparation ne peut être effectuée par le consommateur sur la protection du modem / télécopieur. Cet équipement ne peut pas être utilisé sur une ligne d'appareil à encaissement fournie par la compagnie de téléphone. La connexion à des lignes partagées est sujette aux tarifs de l'État. (Contactez la commission de services publics de votre État ou la commission professionnelle pour plus d'informations.)

La politique de Tripp Lite est celle d'une amélioration continue. Les caractéristiques techniques peuvent être modifiées sans préavis.



1111 W. 35th Street, Chicago, IL 60609 USA • [www.tripplite.com/support](http://www.tripplite.com/support)