

# SmartOnline® SUTX-Series 3-Phase UPS System

MODEL:  
**SUTX40K**

<b>UPS Rating</b>	40kVA, 40kW
-------------------	-------------

<b>UPS AC Input</b>	
Voltage	Input: 380/400/415V (Ph-Ph), Output: 380/400/415V (Ph-Ph)
Current	Full Load: 70, Max: 73
Recommended Input	4 AWG
Terminal Block Torque	53 in•lb (6 N•m)
Recommended OCPD	D-Curve 125A Circuit Breaker

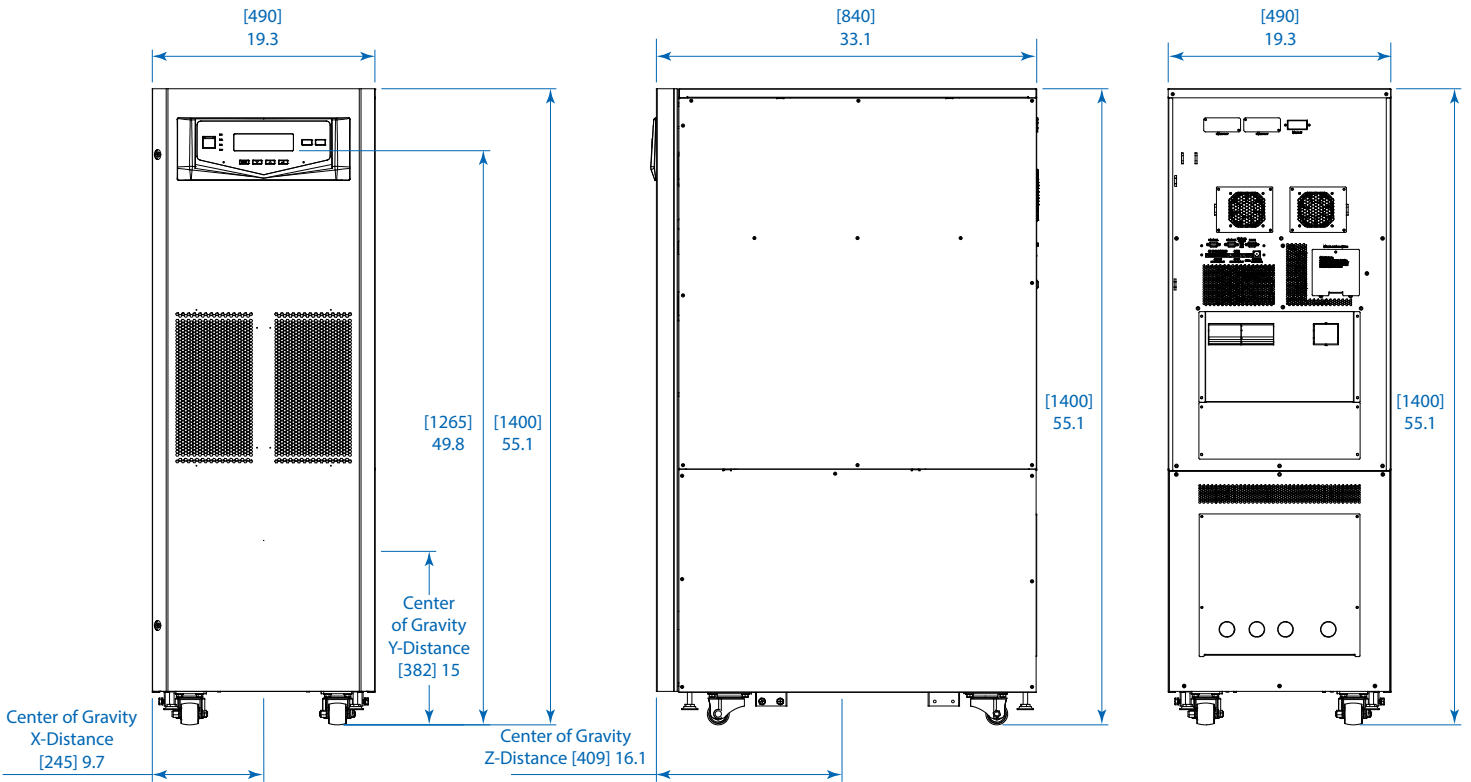
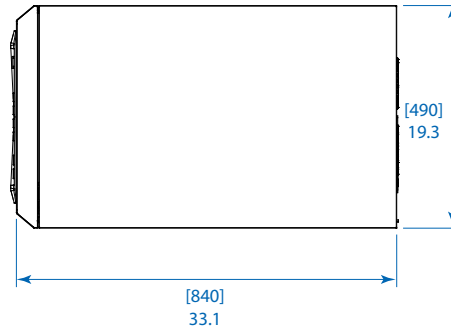
<b>Battery System</b>	
Nominal Voltage	± 240V DC
Battery Capacity	40kW
Current at Nominal Voltage	83.3A

<b>AC Output</b>	
Current at Full Load	59A

<b>Mechanical Data</b>	
Dimensions [H x W x D]	55.1 x 19.3 x 33.1 in. (1400 x 490 x 840 mm)
Weight	844 lb. (383 kg)
Floor Load Capacity	190.7 lb./ft <sup>2</sup> (931 kg/m <sup>2</sup> )
Heat Dissipation	7183 BTU/h



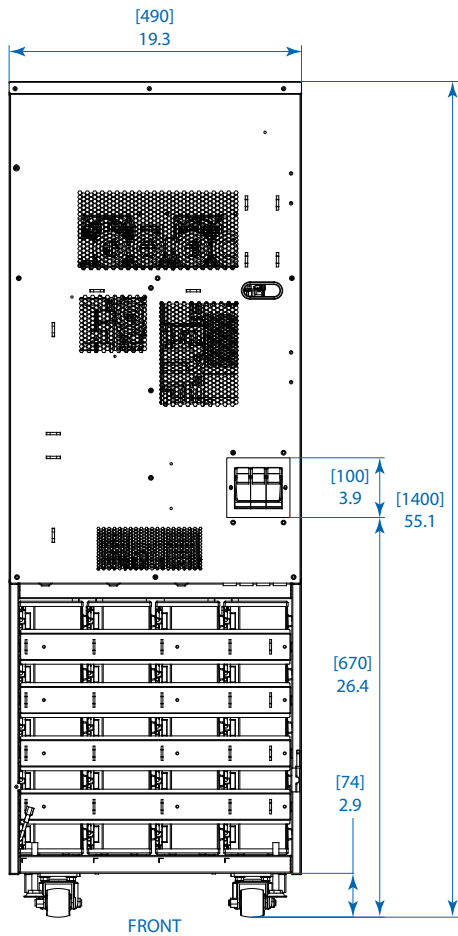
1111 W. 35th Street  
Chicago, IL 60609 USA  
773.869.1234  
www.tripplite.com



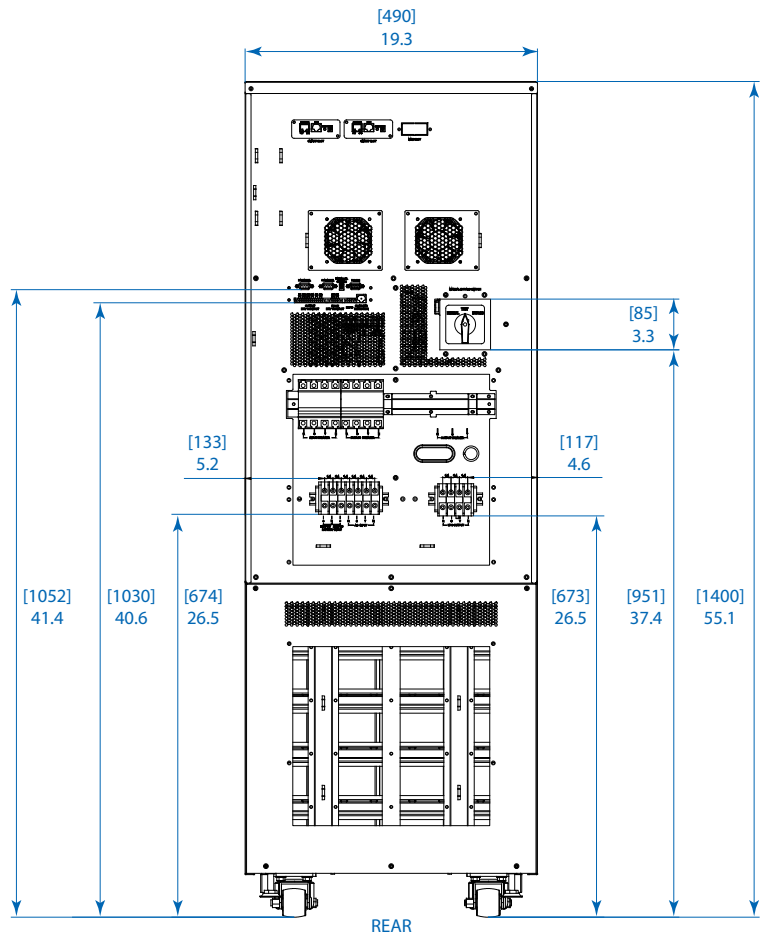
MODEL: **SUTX40K**



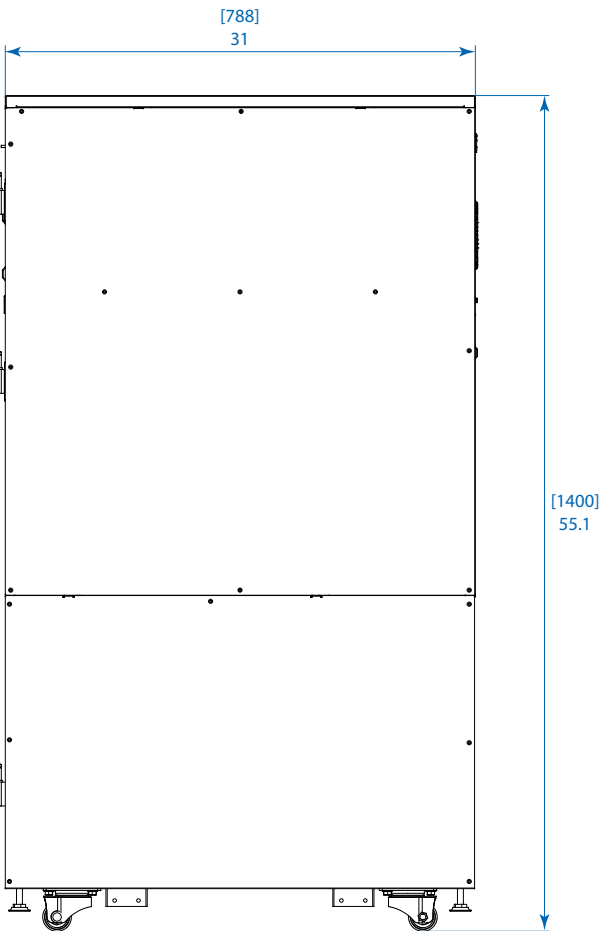
1111 W. 35th Street  
Chicago, IL 60609 USA  
773.869.1234  
www.tripplite.com



FRONT



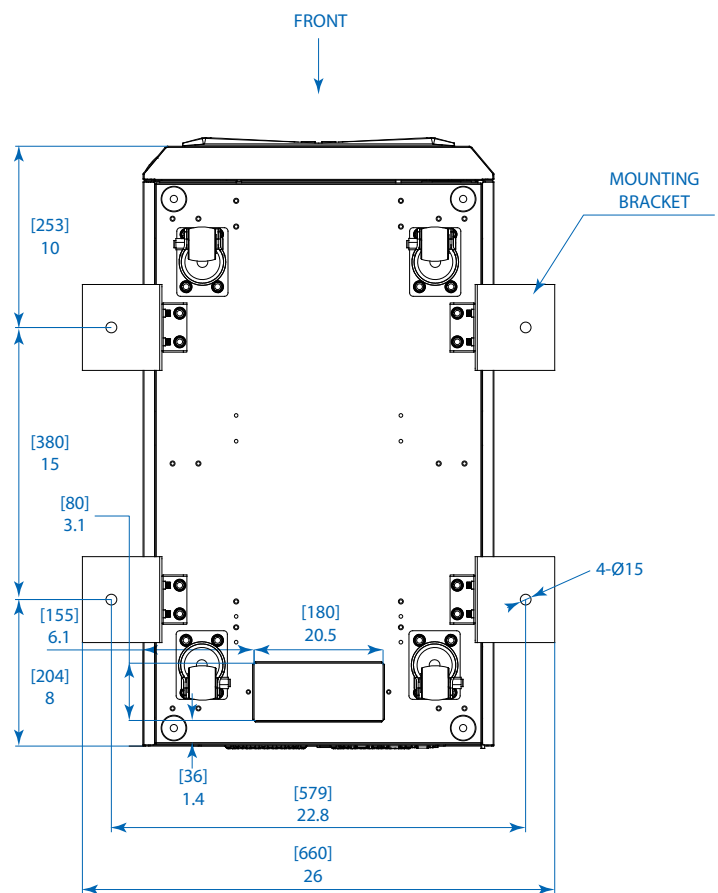
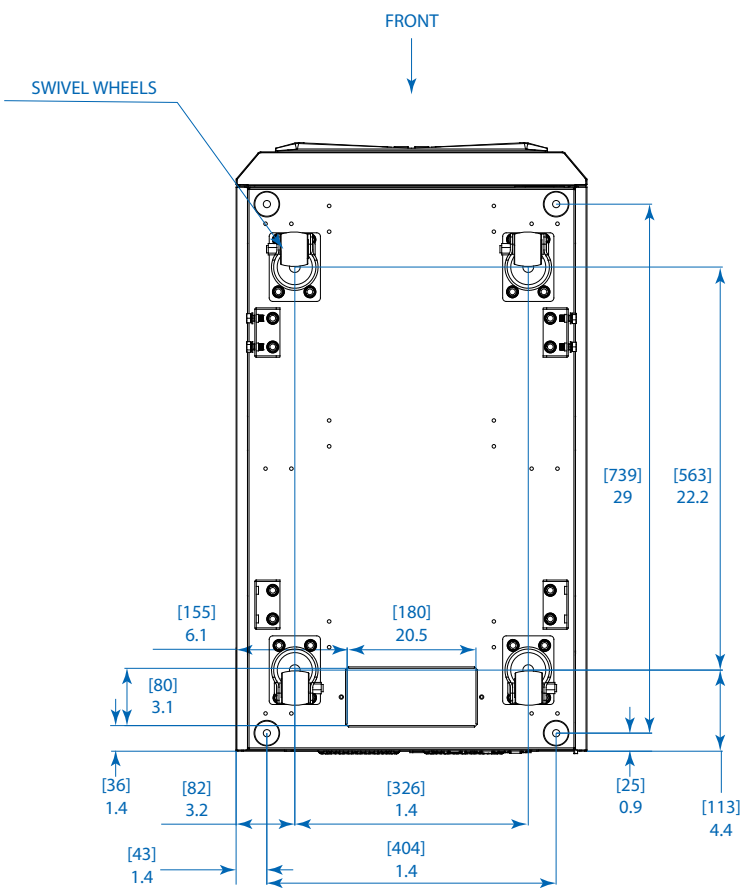
REAR



Dimensions: [mm] INCHES

MODEL: **SUTX40K**  
**TRIPP·LITE**

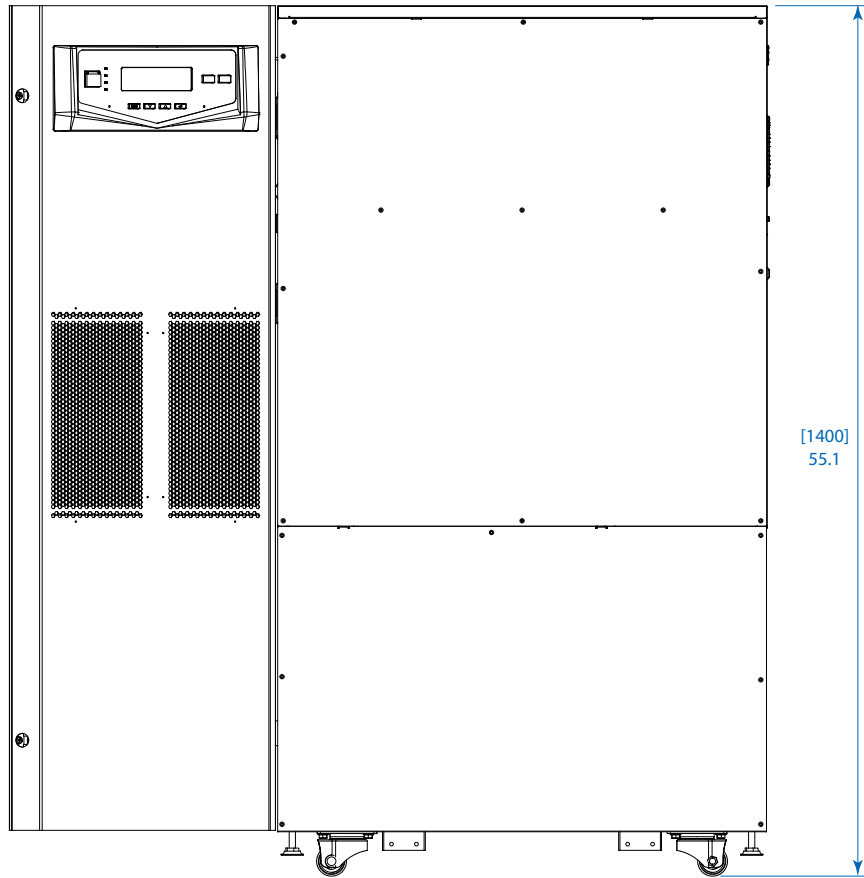
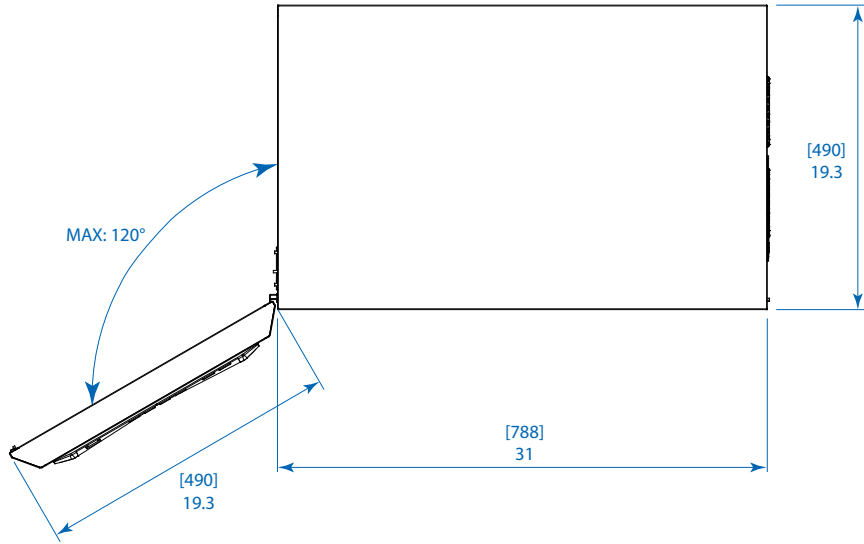
1111 W. 35th Street  
 Chicago, IL 60609 USA  
 773.869.1234  
 www.tripplite.com



MODEL: **SUTX40K**



1111 W. 35th Street  
 Chicago, IL 60609 USA  
 773.869.1234  
 www.tripplite.com



MODEL: **SUTX40K**



1111 W. 35th Street  
Chicago, IL 60609 USA  
773.869.1234  
www.tripplite.com

Dimensions: [mm] INCHES

Tripp Lite has a policy of continuous improvement. Specifications are subject to change without notice. Photos and illustrations may differ slightly from actual products.