

SmartOnline® SUTX-Series 3-Phase UPS System

MODEL:
SUTX20K

UPS Rating	20kVA, 20kW
-------------------	-------------

UPS AC Input	
Voltage	Input: 380/400/415V (Ph-Ph), Output: 380/400/415V (Ph-Ph)
Current	Full Load: 35.2, Max: 36.8
Recommended Input	8 AWG
Terminal Block Torque	17 in•lb (2 N•m)
Recommended OCPD	D-Curve 63A Circuit Breaker

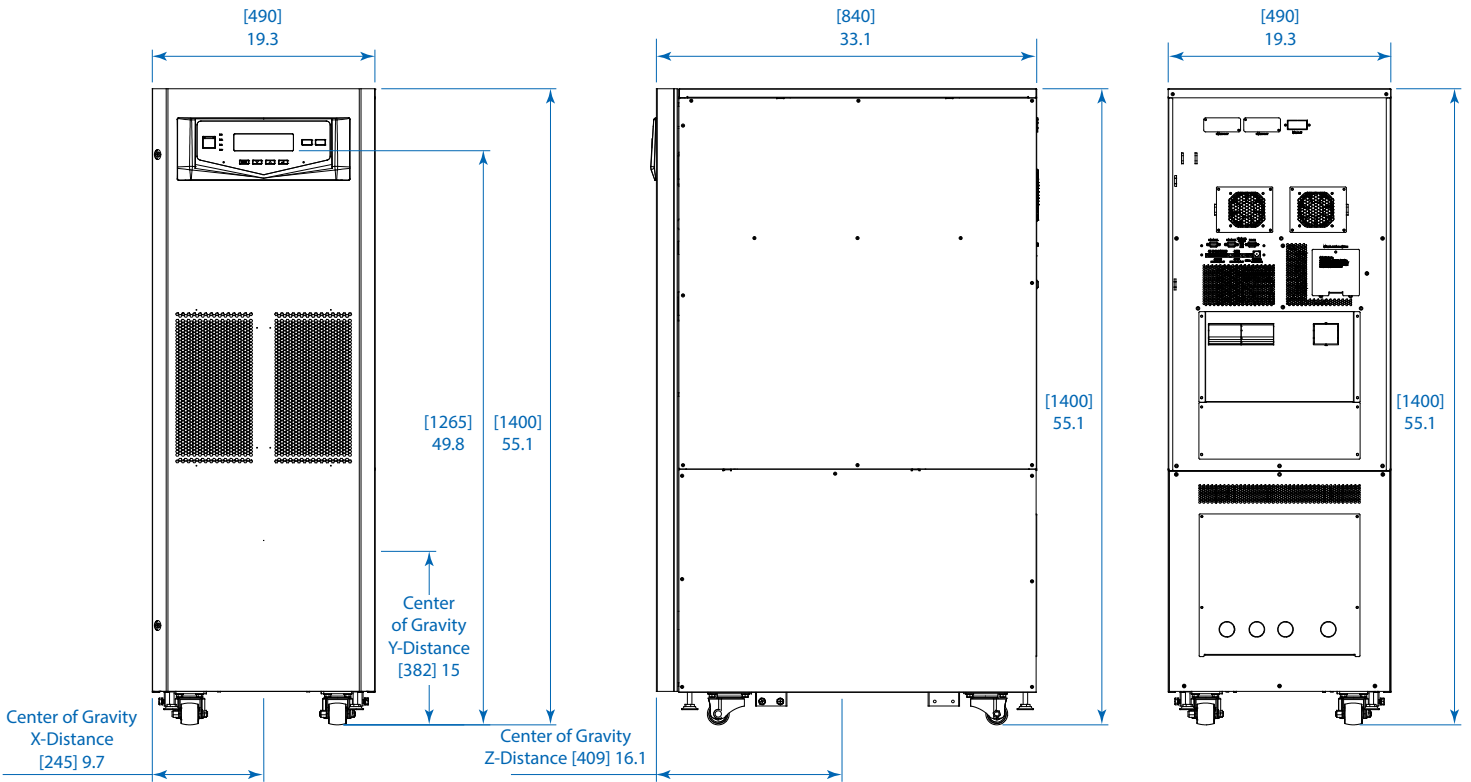
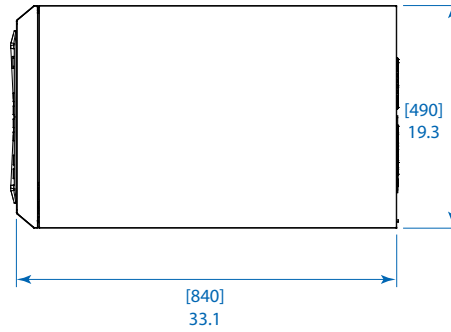
Battery System	
Nominal Voltage	± 240V DC
Battery Capacity	20kW
Current at Nominal Voltage	41.7A

AC Output	
Current at Full Load	29A

Mechanical Data	
Dimensions [H x W x D]	55.1 x 19.3 x 33.1 in. (1400 x 490 x 840 mm)
Weight	800 lb. (363 kg)
Floor Load Capacity	180.6 lb./ft ² (882 kg/m ²)
Heat Dissipation	3972 BTU/h



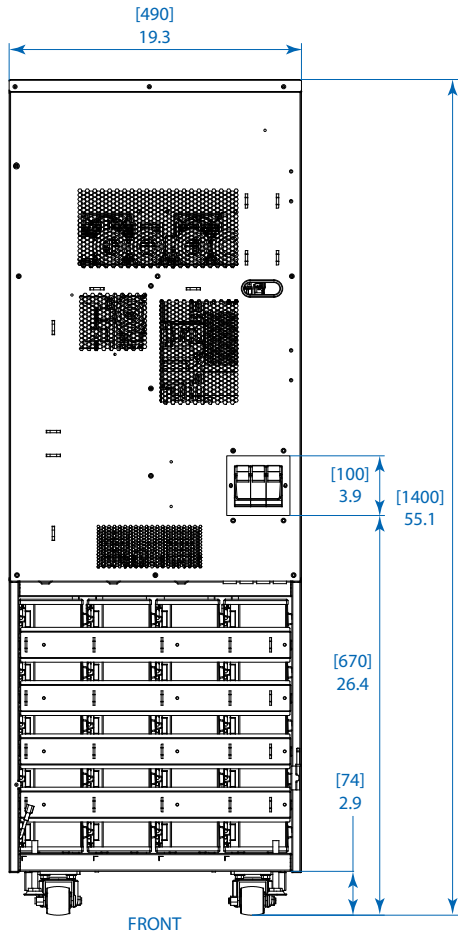
1111 W. 35th Street
Chicago, IL 60609 USA
773.869.1234
www.tripplite.com



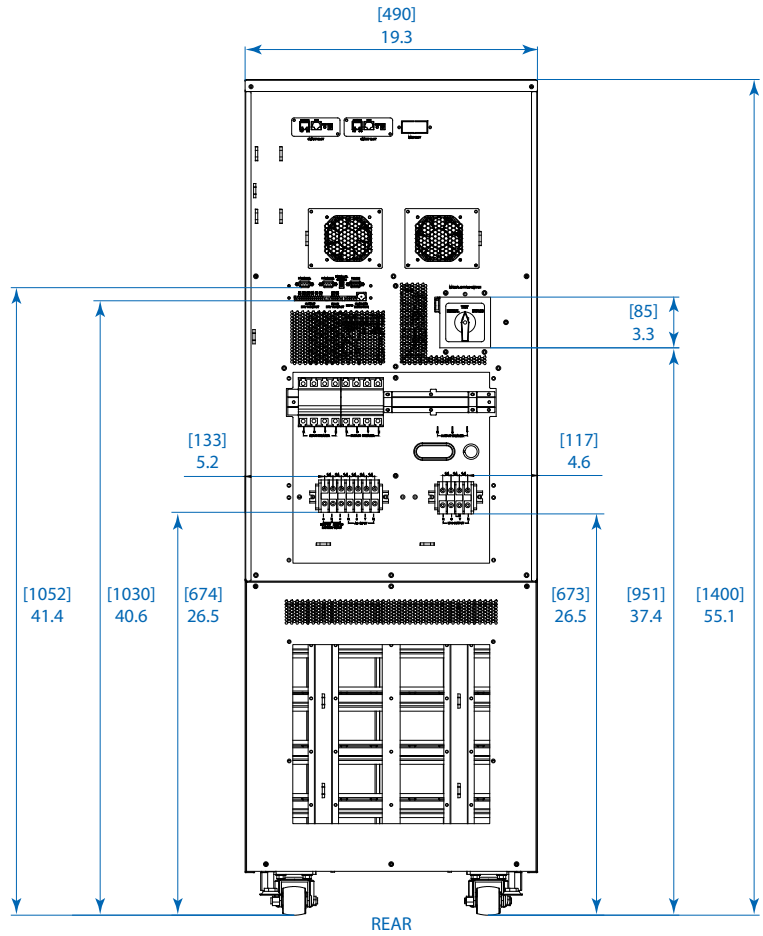
MODEL: **SUTX20K**



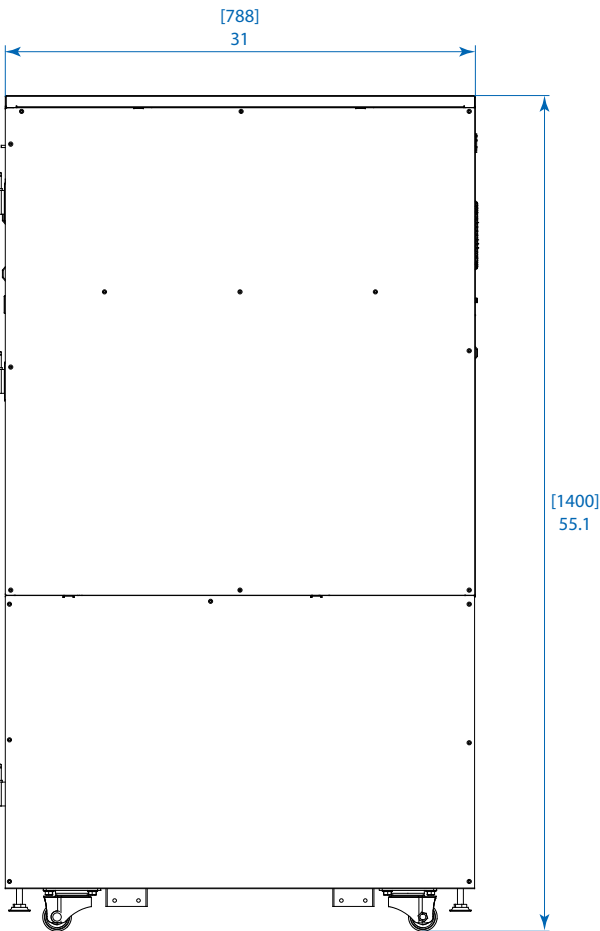
1111 W. 35th Street
Chicago, IL 60609 USA
773.869.1234
www.tripplite.com



FRONT



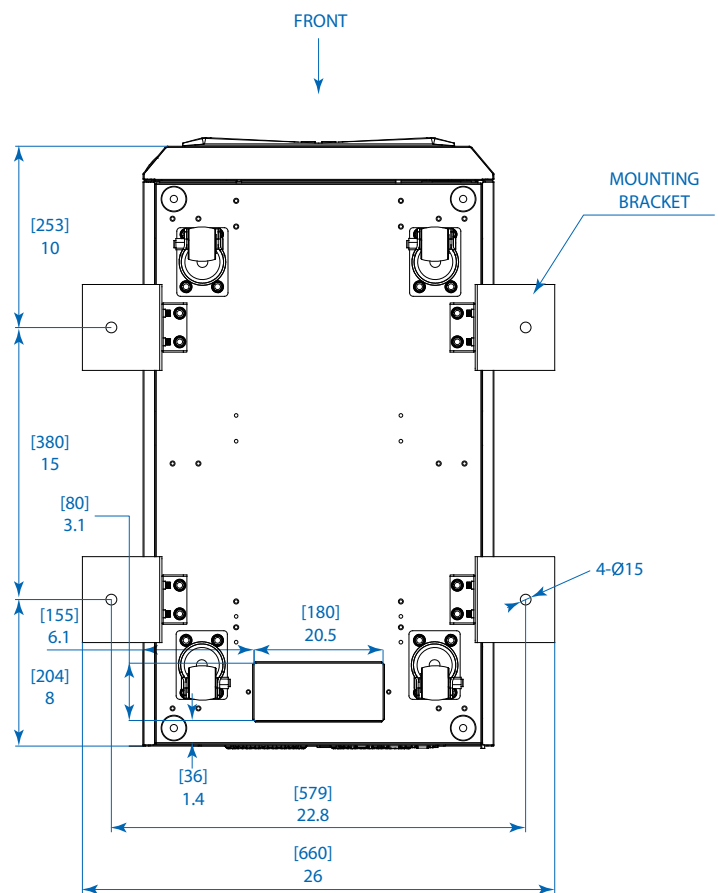
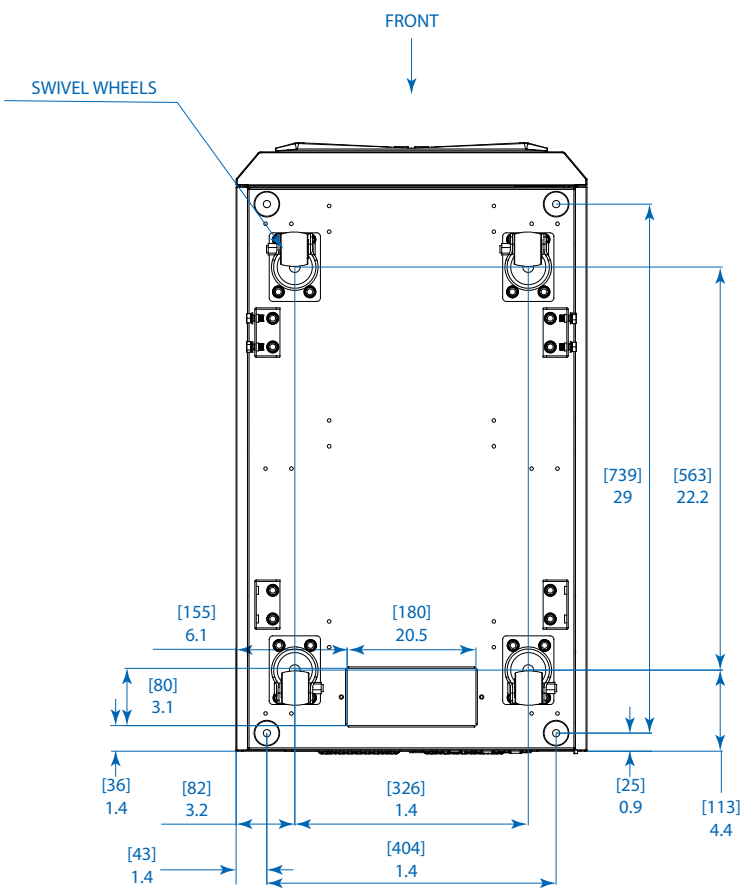
REAR



Dimensions: [mm] INCHES

MODEL: **SUTX20K**
TRIPP·LITE

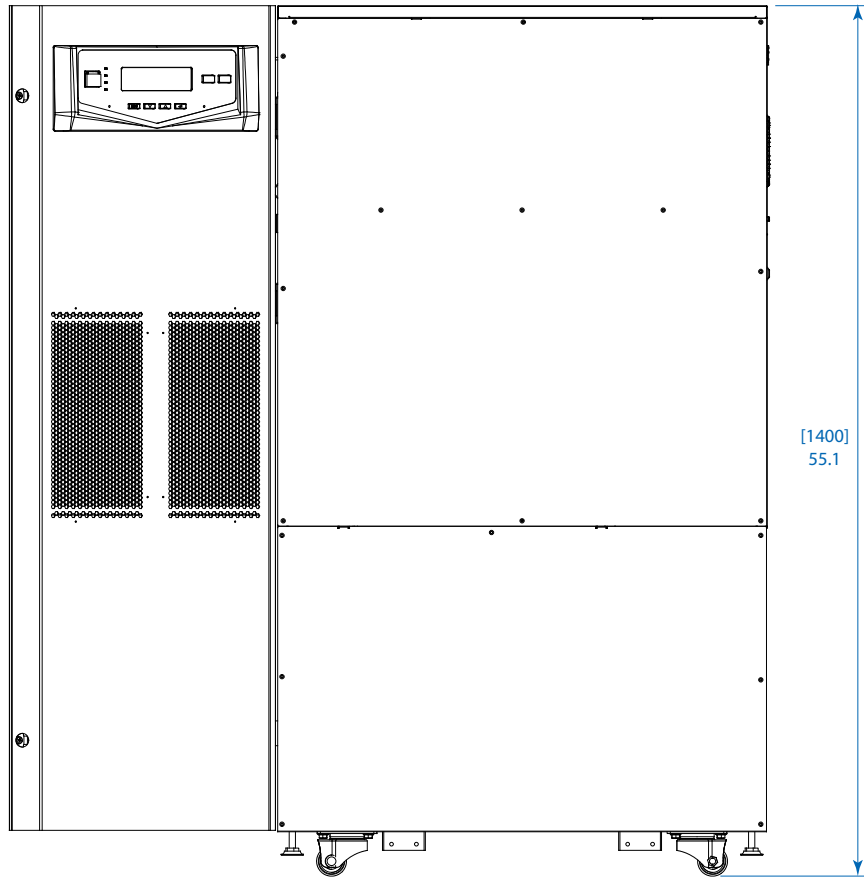
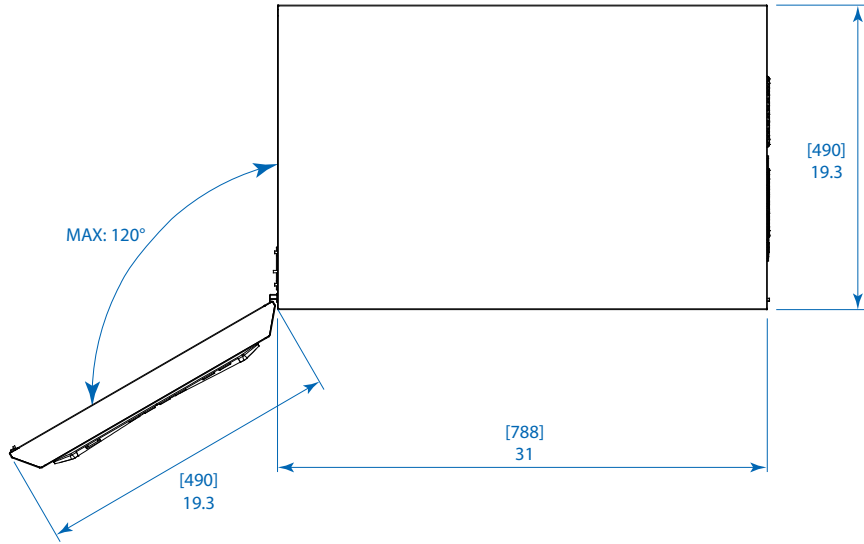
1111 W. 35th Street
 Chicago, IL 60609 USA
 773.869.1234
 www.tripplite.com



MODEL: **SUTX20K**



1111 W. 35th Street
 Chicago, IL 60609 USA
 773.869.1234
 www.tripplite.com



MODEL: **SUTX20K**



1111 W. 35th Street
Chicago, IL 60609 USA
773.869.1234
www.tripplite.com

Dimensions: [mm] INCHES

Tripp Lite has a policy of continuous improvement. Specifications are subject to change without notice. Photos and illustrations may differ slightly from actual products.

5 of 5