

SmartOnline[®] SUT-Series 3-Phase UPS System

MODEL:
SUT40K

UPS Rating	40kVA, 40kW
-------------------	-------------

UPS AC Input	
Voltage	Input: 208/220V (Ph-Ph), Output: 208/220V (Ph-Ph)
Current	Full Load: 130, Max: 135
Recommended Input	3/0 AWG
Terminal Block Torque	130 in•lb (14.7 N•m)
Recommended OCPD	D-Curve 150A Circuit Breaker

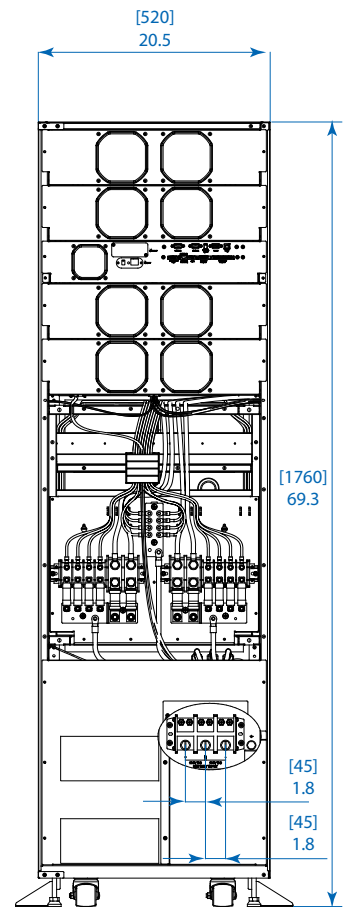
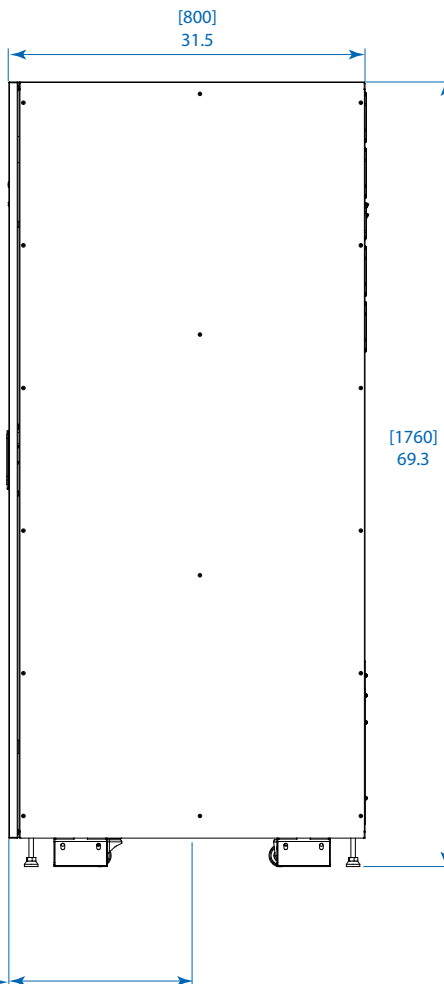
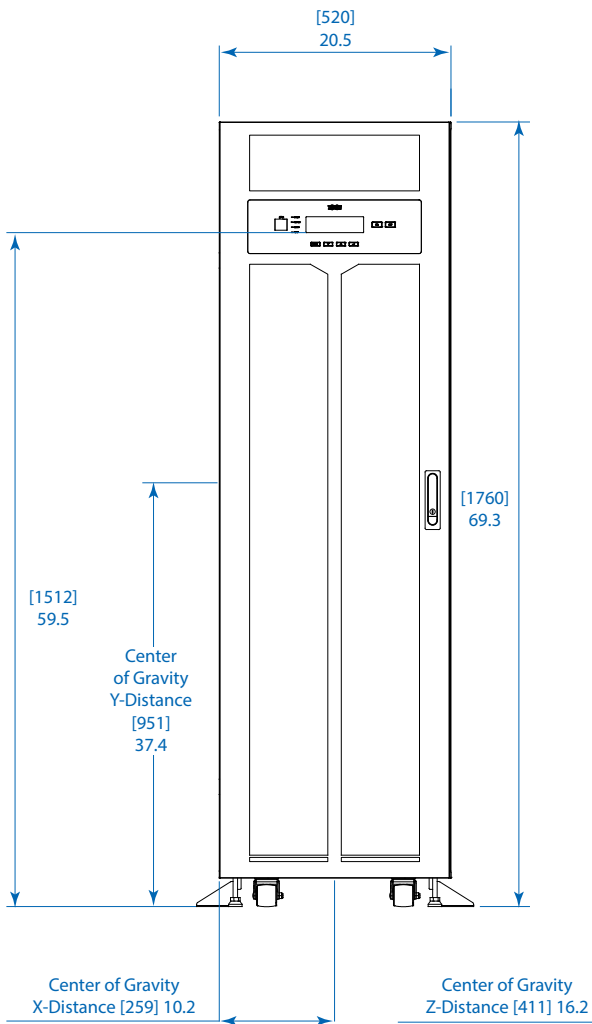
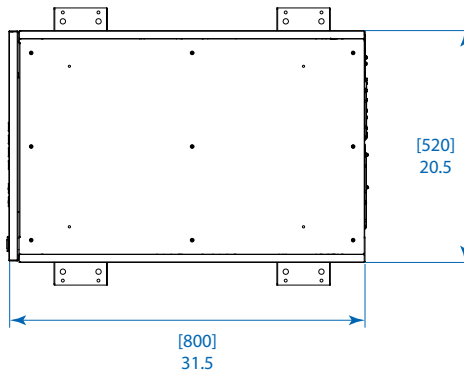
Battery System	
Nominal Voltage	± 144V DC
Battery Capacity	40kW
Current at Nominal Voltage	138.8A

AC Output	
Current at Full Load	111.1A

Mechanical Data	
Dimensions [H x W x D]	69.3 x 20.5 x 31.5 in. (1760 x 520 x 800 mm)
Weight	1076 lb. (488 kg)
Floor Load Capacity	240 lb./ft ² (1173 kg/m ²)
Heat Dissipation	10,534 BTU/h



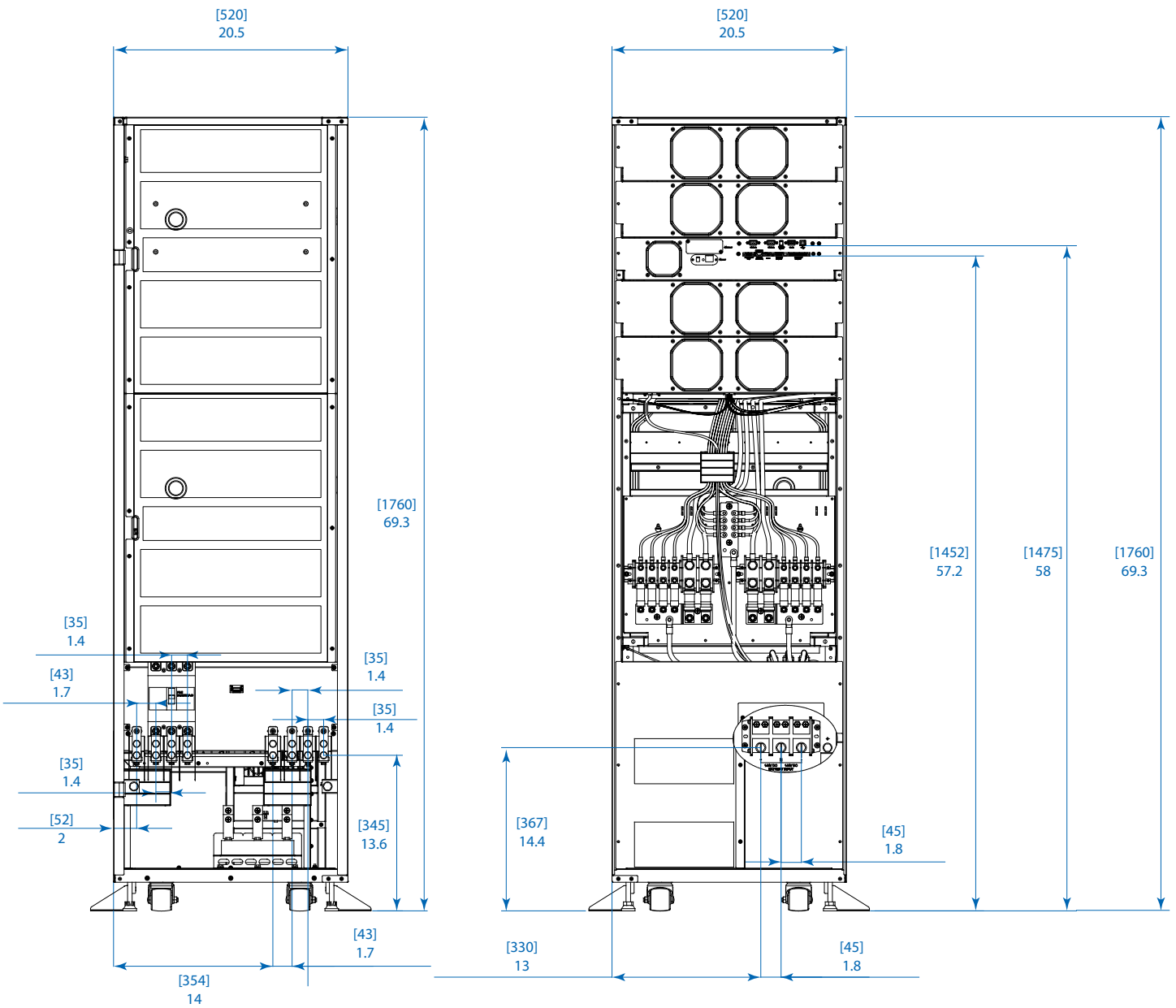
1111 W. 35th Street
Chicago, IL 60609 USA
773.869.1234
www.tripplite.com



MODEL: **SUT40K**

TRIPPLITE

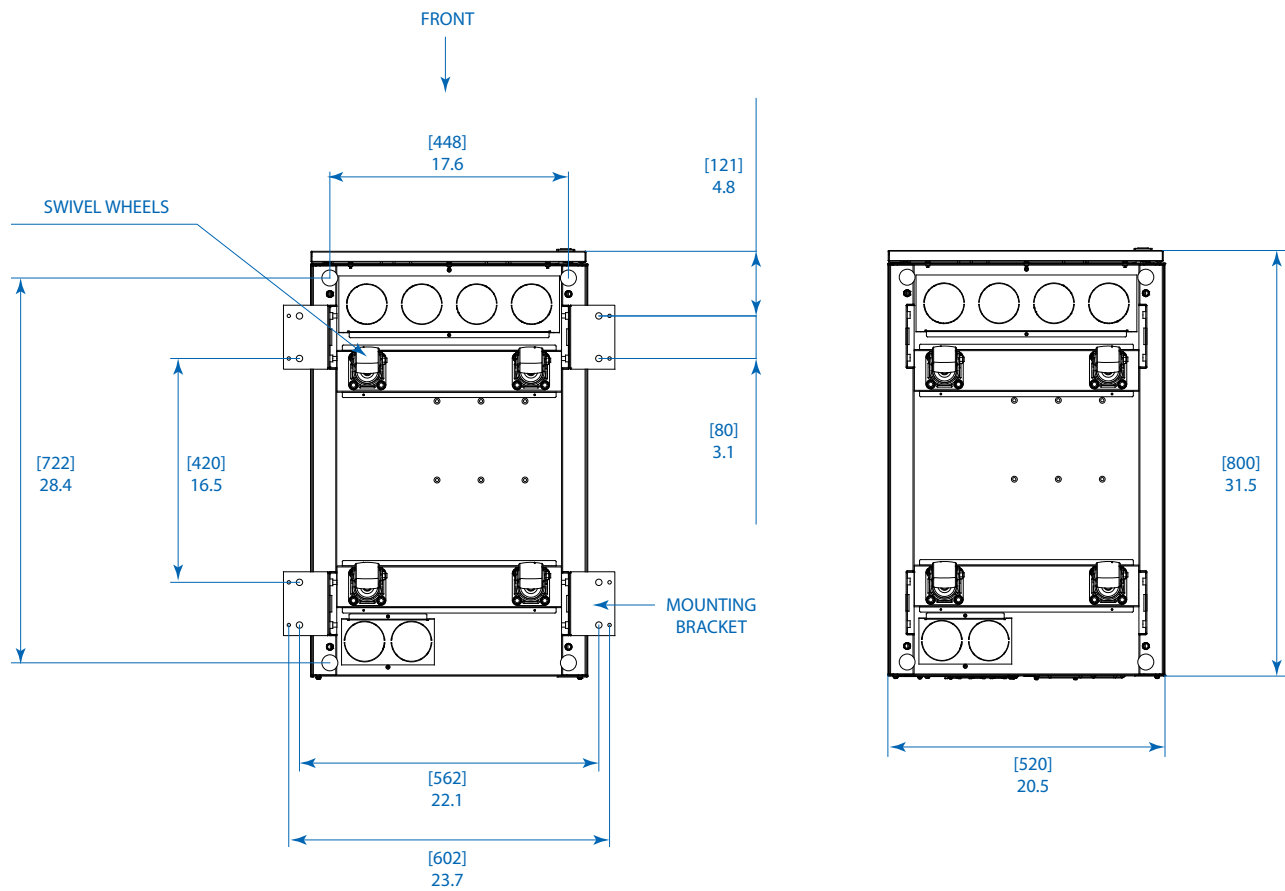
1111 W. 35th Street
Chicago, IL 60609 USA
773.869.1234
www.tripplite.com



Dimensions: [mm] INCHES

MODEL: **SUT40K**
TRIPPLITE

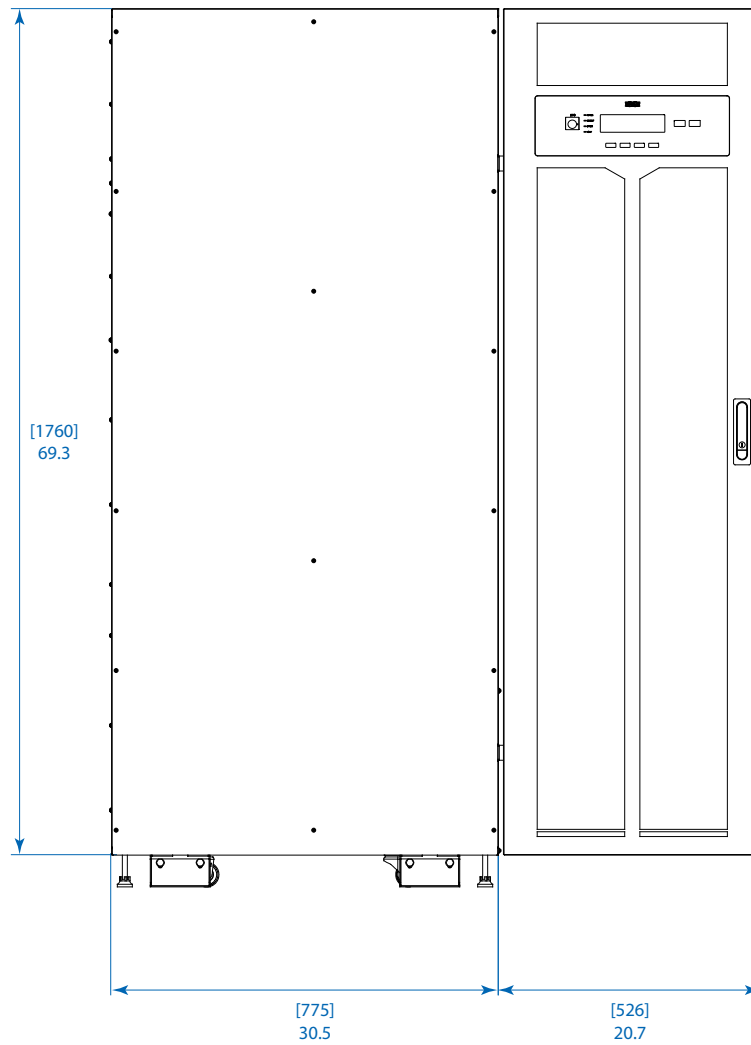
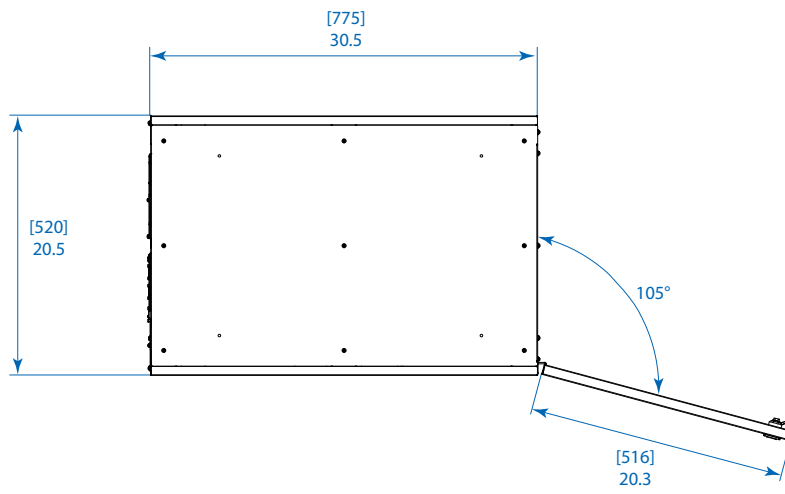
1111 W. 35th Street
 Chicago, IL 60609 USA
 773.869.1234
 www.tripplite.com



MODEL: **SUT40K**



1111 W. 35th Street
 Chicago, IL 60609 USA
 773.869.1234
 www.tripplite.com



MODEL: **SUT40K**

TRIPP·LITE

1111 W. 35th Street
Chicago, IL 60609 USA
773.869.1234
www.tripplite.com

5 of 5

Dimensions: [mm] INCHES

Tripp Lite has a policy of continuous improvement. Specifications are subject to change without notice. Photos and illustrations may differ slightly from actual products.