

SmartOnline® SUT-Series 3-Phase UPS System

MODEL:
SUT30K

UPS Rating	30kVA, 30kW
-------------------	-------------

UPS AC Input	
Voltage	Input: 208/220V (Ph-Ph), Output: 208/220V (Ph-Ph)
Current	Full Load: 95, Max: 100
Recommended Input	1/0 AWG
Terminal Block Torque	130 in•lb (14.7 N•m)
Recommended OCPD	D-Curve 125A Circuit Breaker

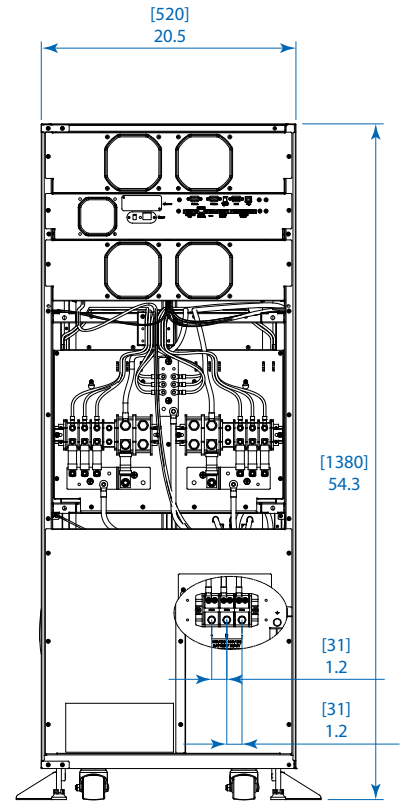
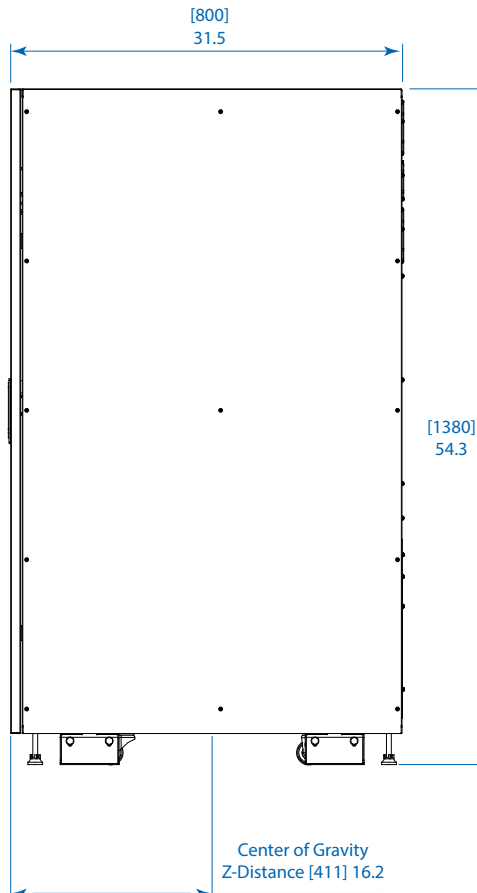
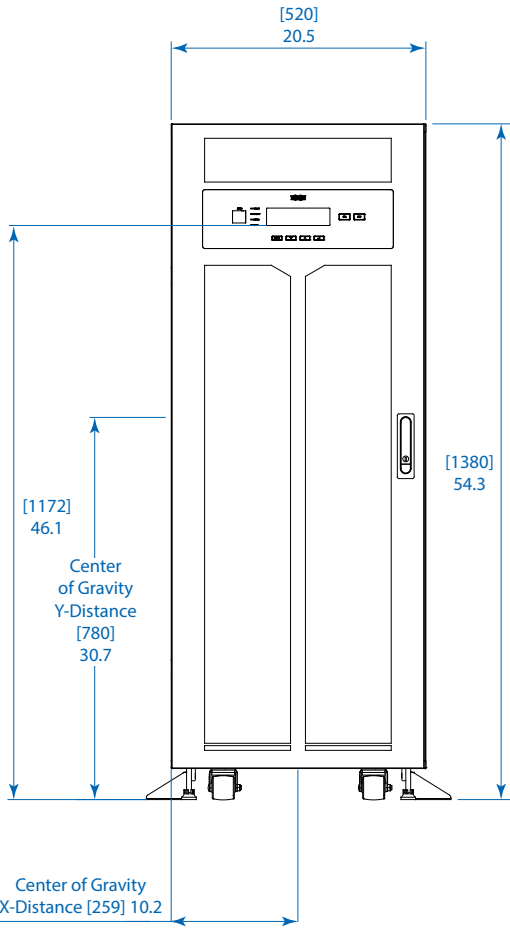
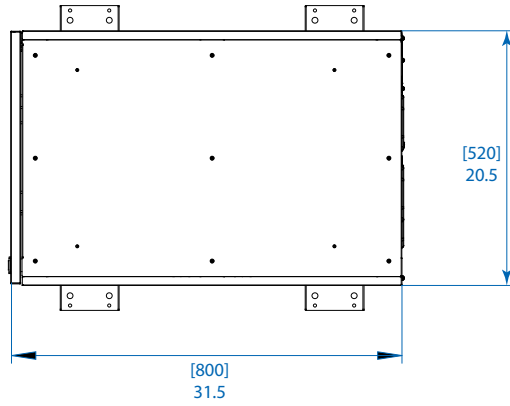
Battery System	
Nominal Voltage	± 144V DC
Battery Capacity	30kW
Current at Nominal Voltage	104.1A

AC Output	
Current at Full Load	83.3A

Mechanical Data	
Dimensions [H x W x D]	54.3 x 20.5 x 31.5 in. (1380 x 520 x 800 mm)
Weight	926 lb. (420 kg)
Floor Load Capacity	207 lb./ft ² (1010 kg/m ²)
Heat Dissipation	8217.35 BTU/h



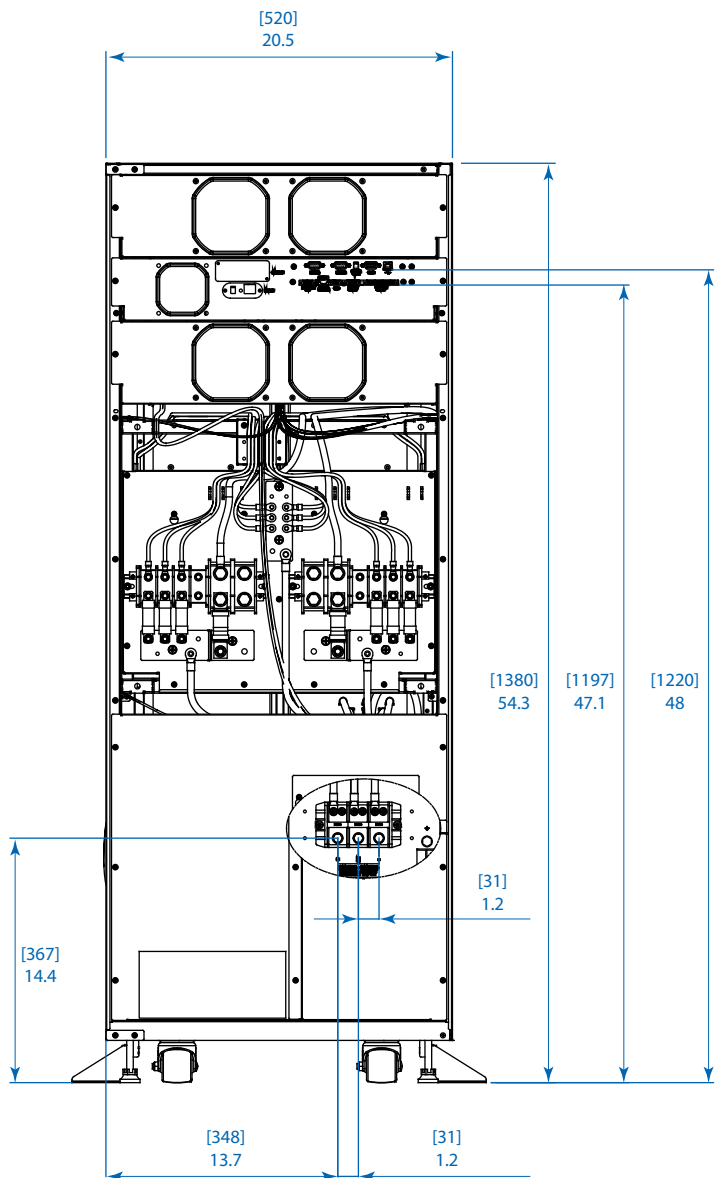
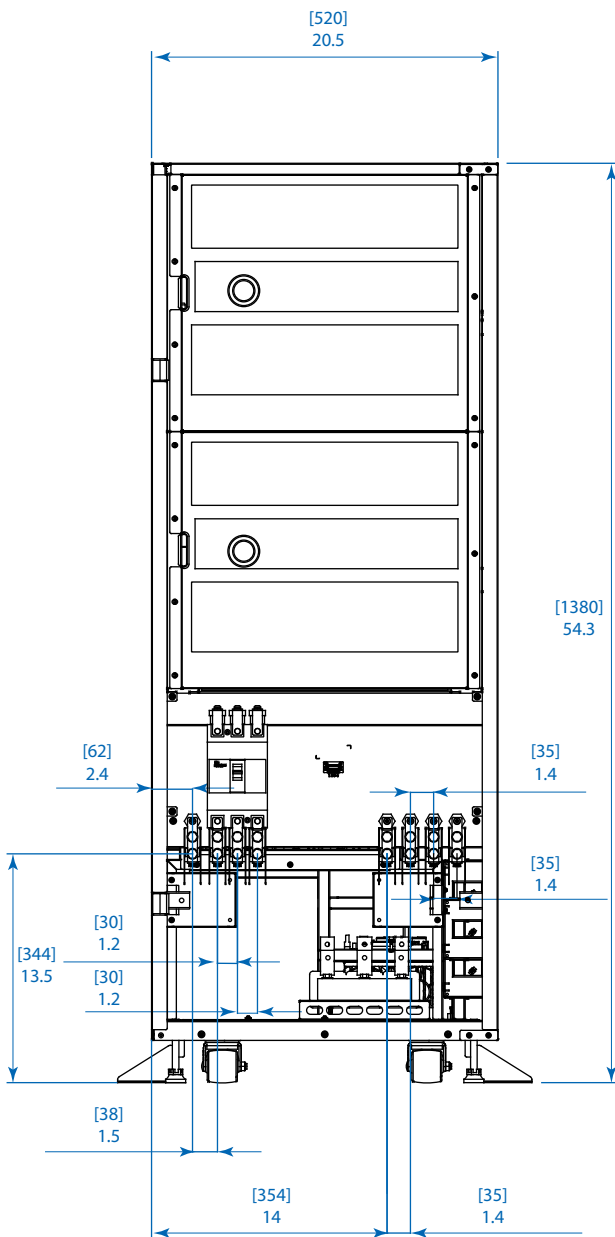
1111 W. 35th Street
Chicago, IL 60609 USA
773.869.1234
www.tripplite.com



MODEL: **SUT30K**



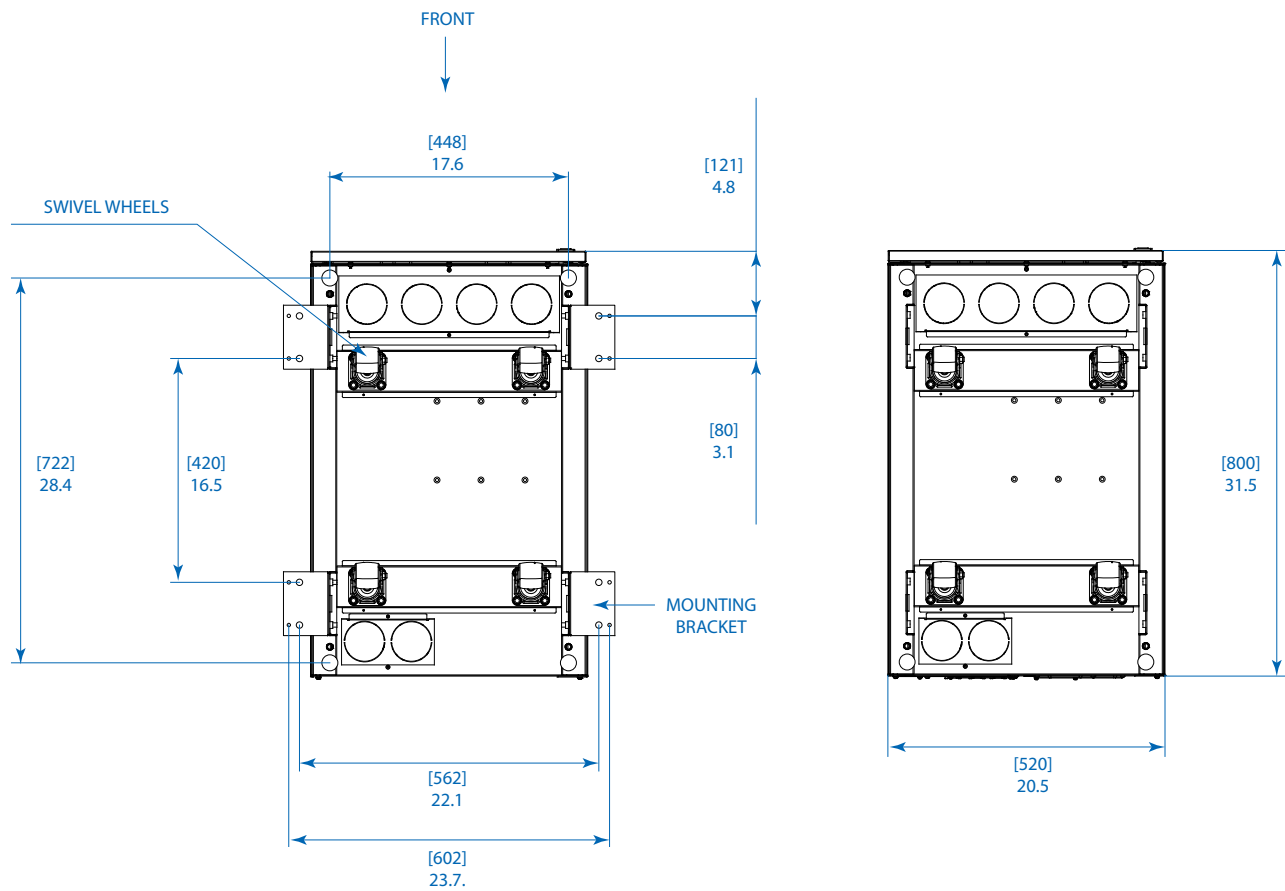
1111 W. 35th Street
Chicago, IL 60609 USA
773.869.1234
www.tripplite.com



MODEL: **SUT30K**



1111 W. 35th Street
 Chicago, IL 60609 USA
 773.869.1234
 www.tripplite.com

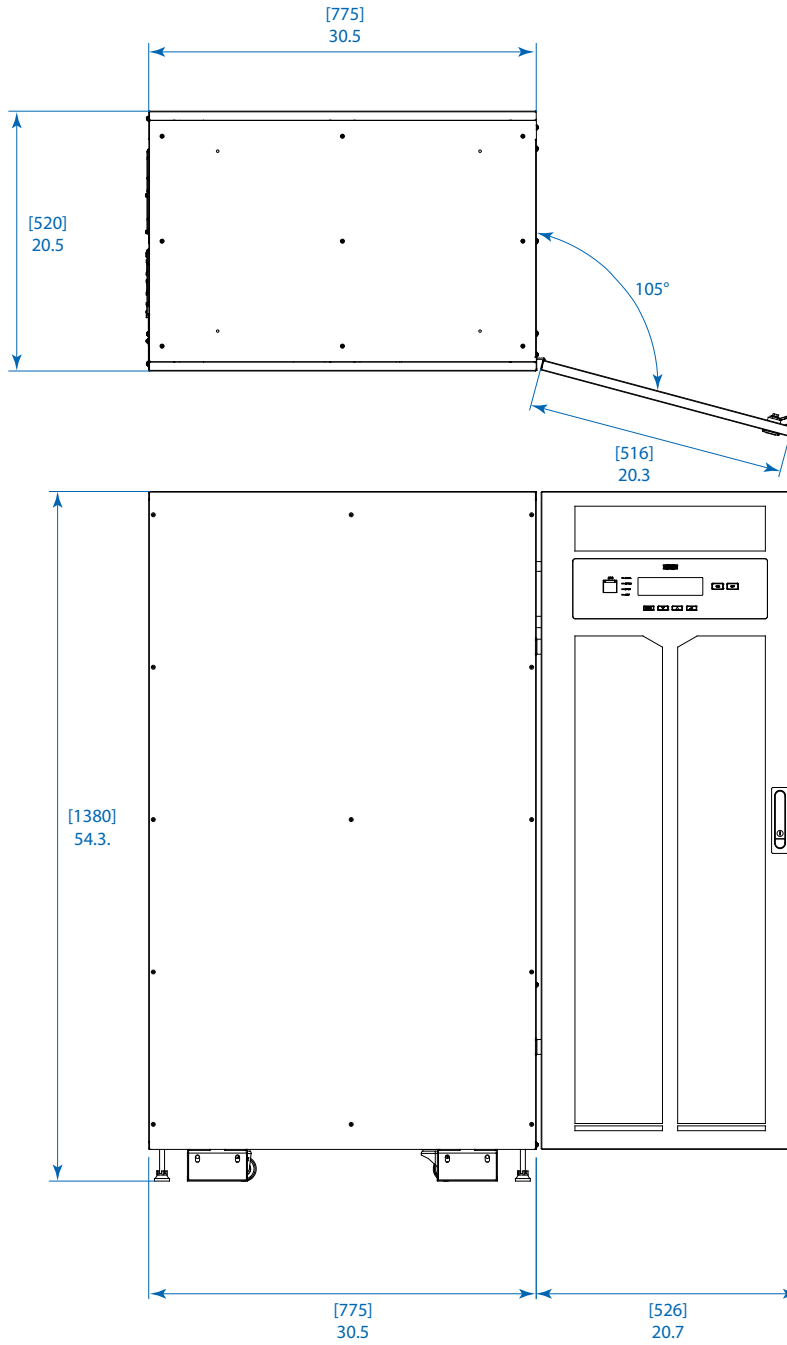


Dimensions: [mm] INCHES

MODEL: **SUT30K**

TRIPP-LITE

1111 W. 35th Street
 Chicago, IL 60609 USA
 773.869.1234
 www.tripplite.com



Dimensions: [mm] INCHES

Tripp Lite has a policy of continuous improvement. Specifications are subject to change without notice. Photos and illustrations may differ slightly from actual products.

MODEL: **SUT30K**



1111 W. 35th Street
 Chicago, IL 60609 USA
 773.869.1234
 www.tripplite.com