

SmartOnline[®] SUT-Series 3-Phase UPS System

MODEL:
SUT20K

UPS Rating	20kVA, 20kW
-------------------	-------------

UPS AC Input	
Voltage	Input: 208/220V (Ph-Ph), Output: 208/220V (Ph-Ph)
Current	Full Load: 62.5, Max: 67.5
Recommended Input	2 AWG
Terminal Block Torque	130 in•lb (14.7 N•m)
Recommended OCPD	D-Curve 75A Circuit Breaker

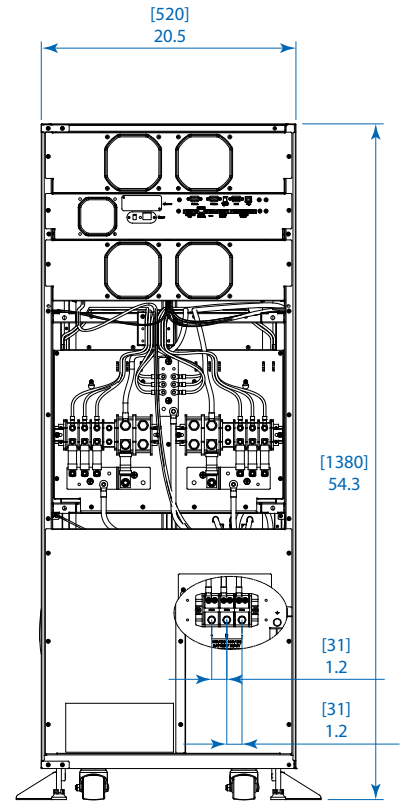
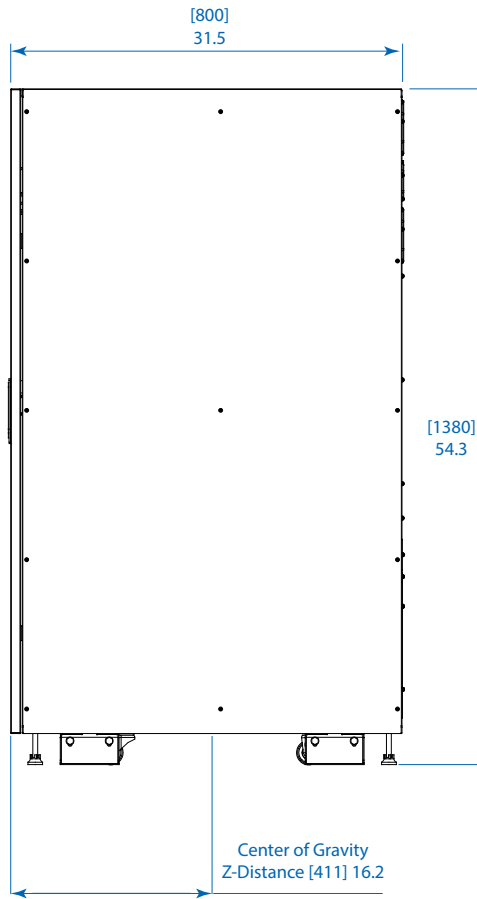
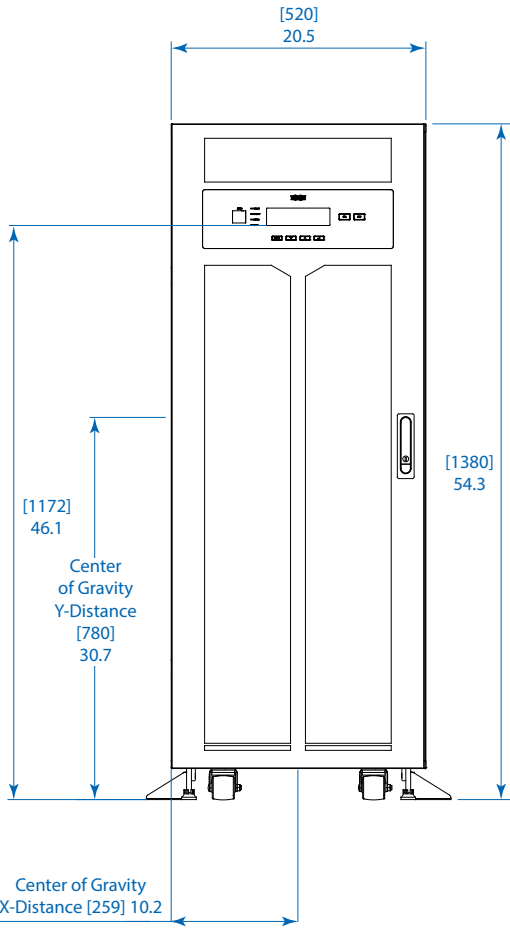
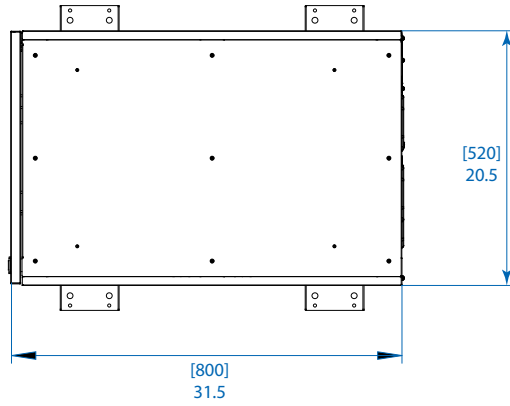
Battery System	
Nominal Voltage	± 144V DC
Battery Capacity	20kW
Current at Nominal Voltage	69.4A

AC Output	
Current at Full Load	55.5A

Mechanical Data	
Dimensions [H x W x D]	54.3 x 20.5 x 31.5 in. (1380 x 520 x 800 mm)
Weight	767 lb. (348 kg)
Floor Load Capacity	171.4 lb./ft ² (837 kg/m ²)
Heat Dissipation	5010.07 BTU/h



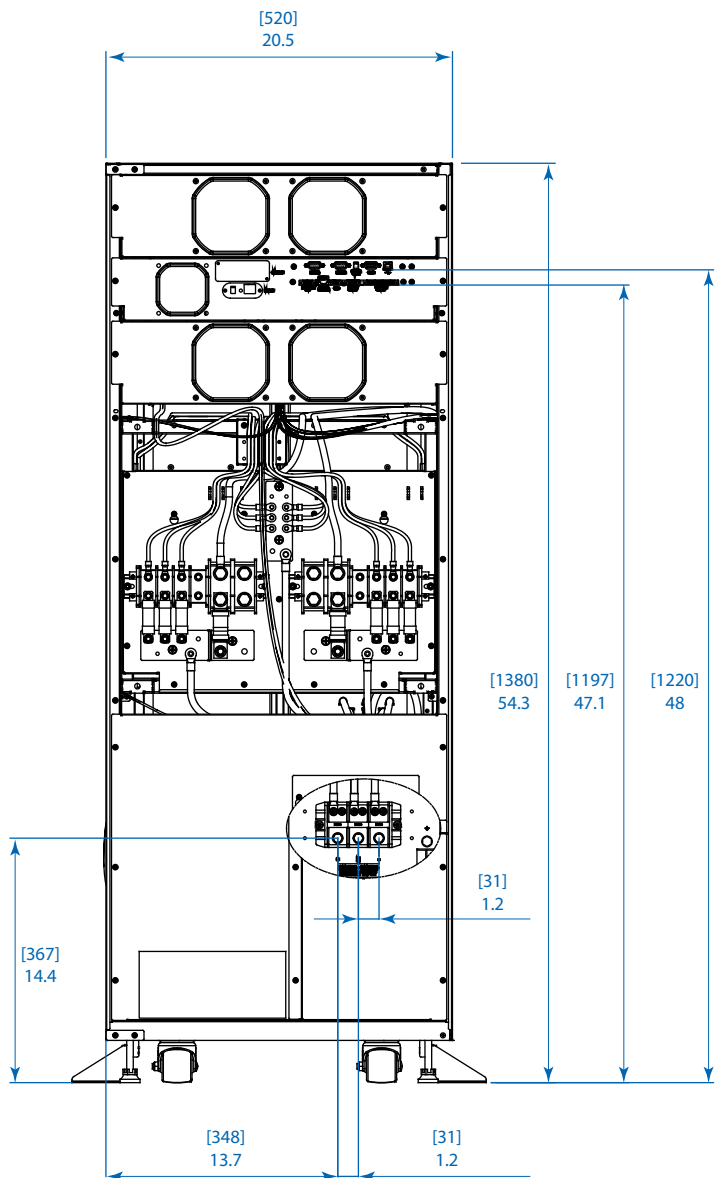
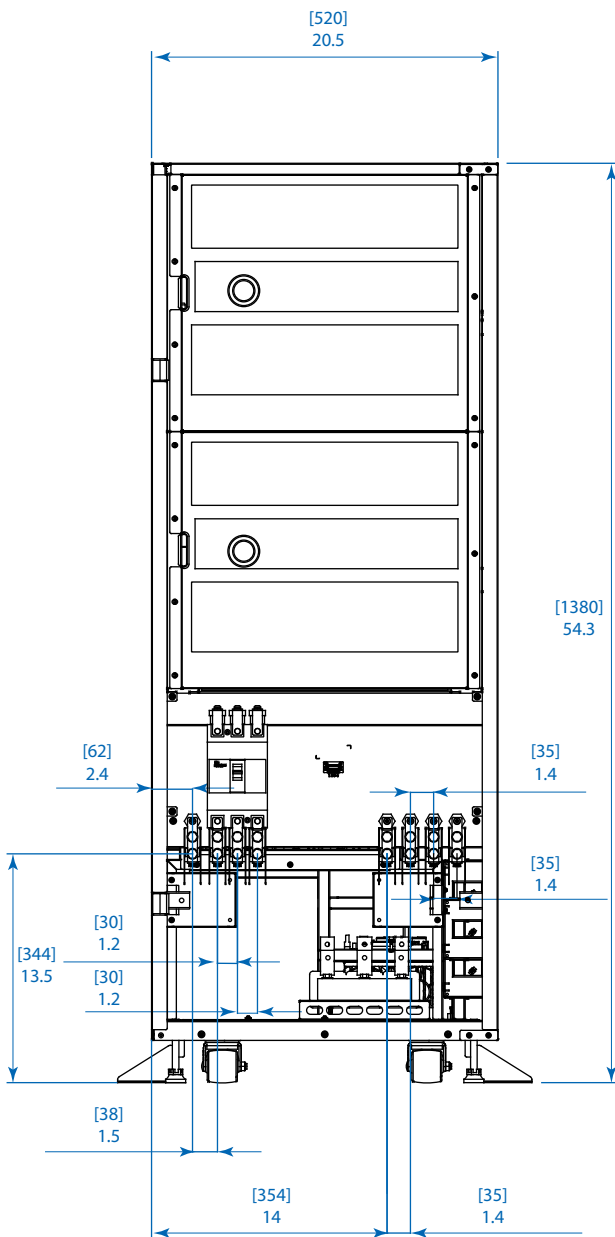
1111 W. 35th Street
Chicago, IL 60609 USA
773.869.1234
www.tripplite.com



MODEL: **SUT20K**

TRIPP-LITE

1111 W. 35th Street
Chicago, IL 60609 USA
773.869.1234
www.tripplite.com

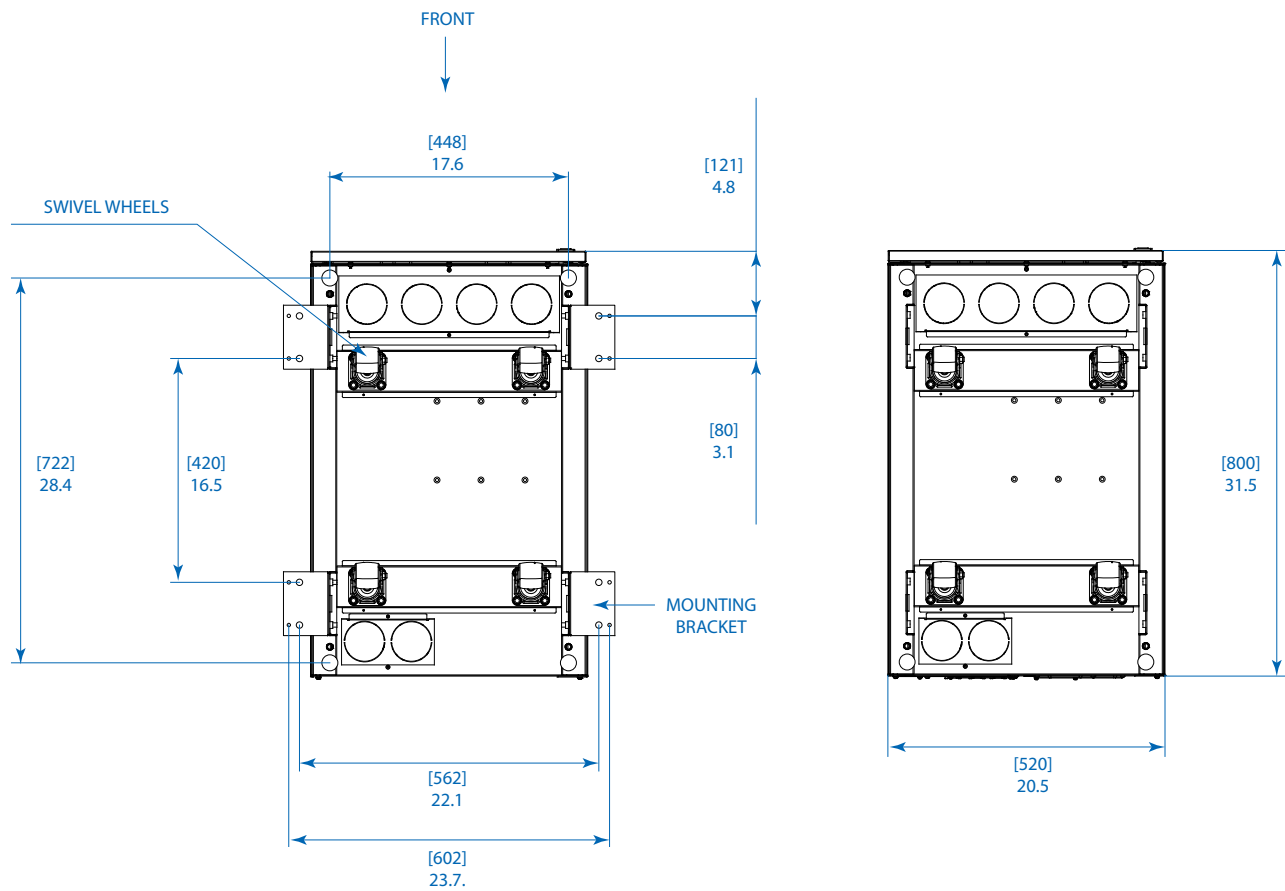


Dimensions: [mm] INCHES

MODEL: **SUT20K**



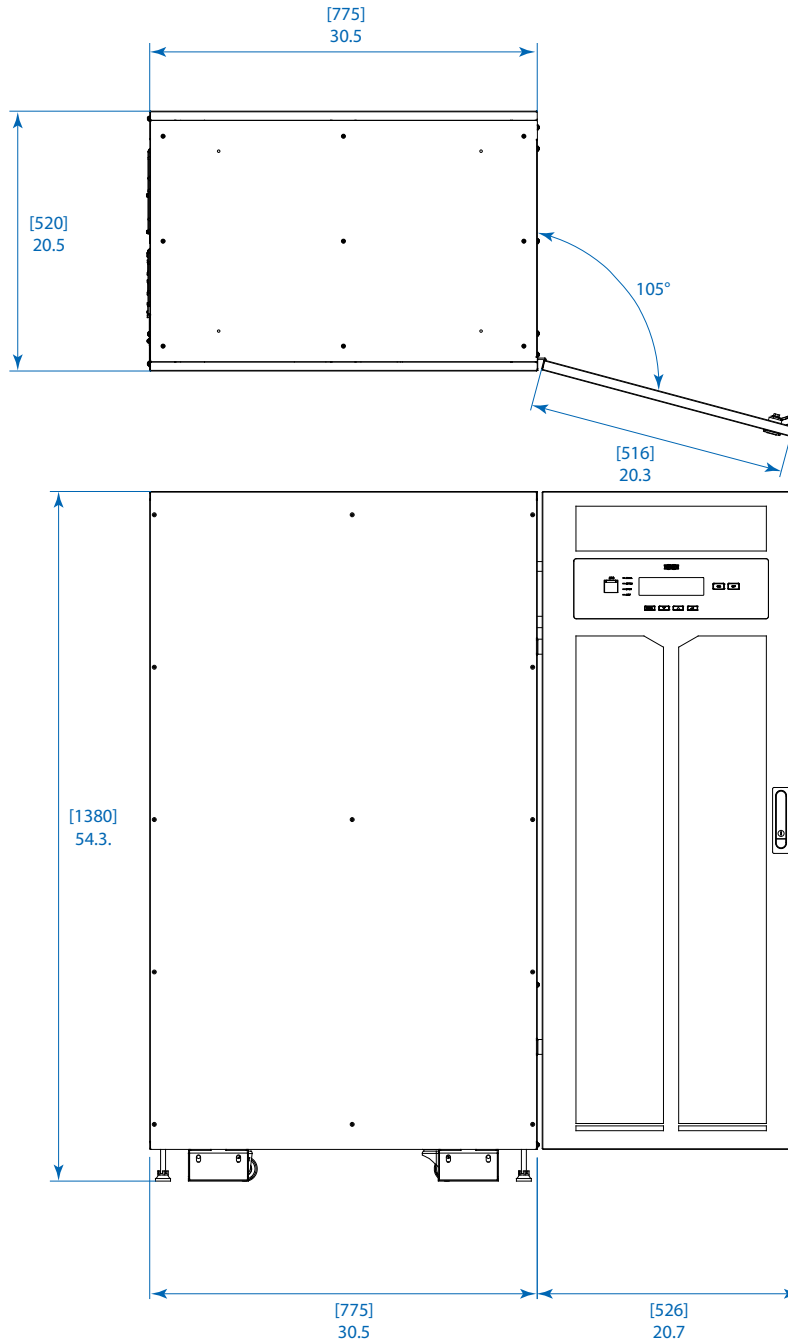
1111 W. 35th Street
 Chicago, IL 60609 USA
 773.869.1234
 www.tripplite.com



MODEL: **SUT20K**



1111 W. 35th Street
 Chicago, IL 60609 USA
 773.869.1234
 www.tripplite.com



Dimensions: [mm] INCHES

Tripp Lite has a policy of continuous improvement. Specifications are subject to change without notice. Photos and illustrations may differ slightly from actual products.

MODEL: **SUT20K**



1111 W. 35th Street
 Chicago, IL 60609 USA
 773.869.1234
 www.tripplite.com

5 of 5