

MODEL:

SRWF10UMOD

SmartRack® 5U Low-Profile Vertical-Mount Switch-Depth Wall-Mount Structured Wiring Enclosure



5 Rack Units



150 lb.
Load Rating



Standard 19 in.
Rack Width



Convenient
Cable Access



Ventilated for
Ample Airflow

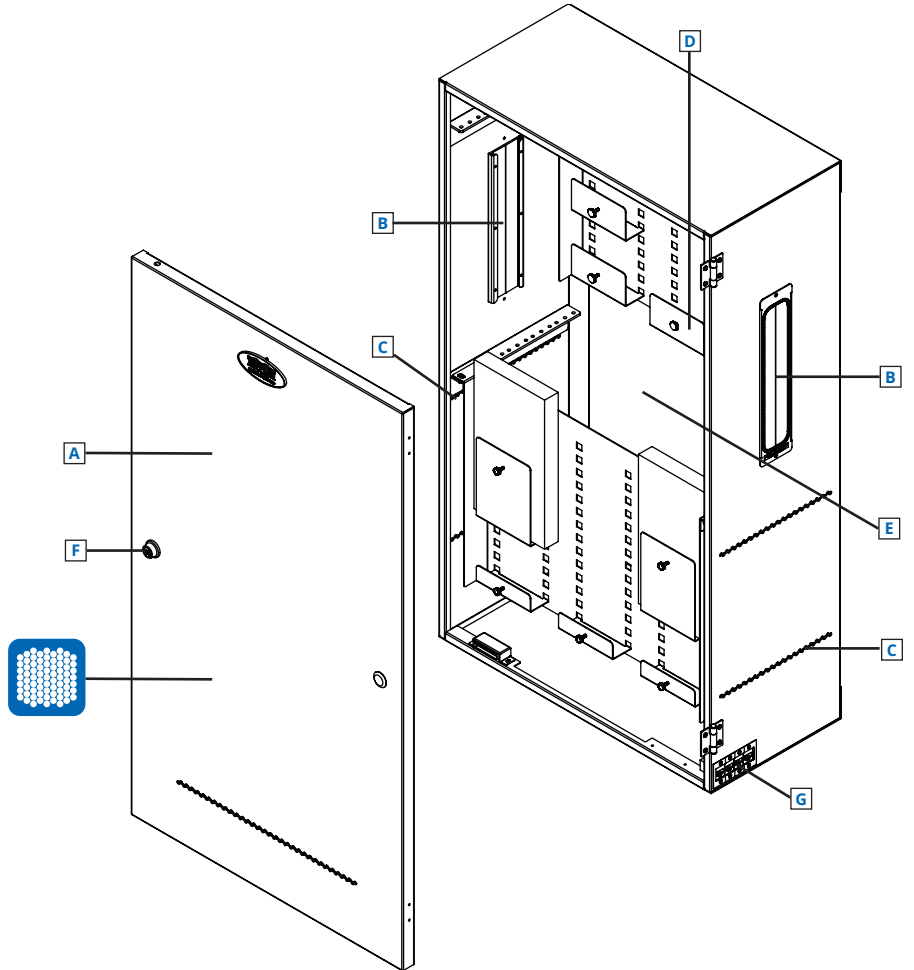


10U Total
Mounting Space



Reversible
Door

- A** Reversible Vented Front Door
- B** Brush-Strip Cable Plates (on Both Sides)
- C** Side-Panel Vent (on Both Sides)
- D** 1U Shelves for Modem and Other Non-Rack Devices
- E** 10U of Mounting Space
- F** Combination Lock
- G** RJ45 Jacks



- Two removable 1U shelves with adjustable metal brackets secure non-rack equipment
- Houses 2 areas of 5U of rack equipment up to 16.5 in. deep (when 1U shelves are removed)
- RJ45 jacks connect installed modem, router and other equipment to network
- Ships fully assembled for immediate installation in back office area or network closet

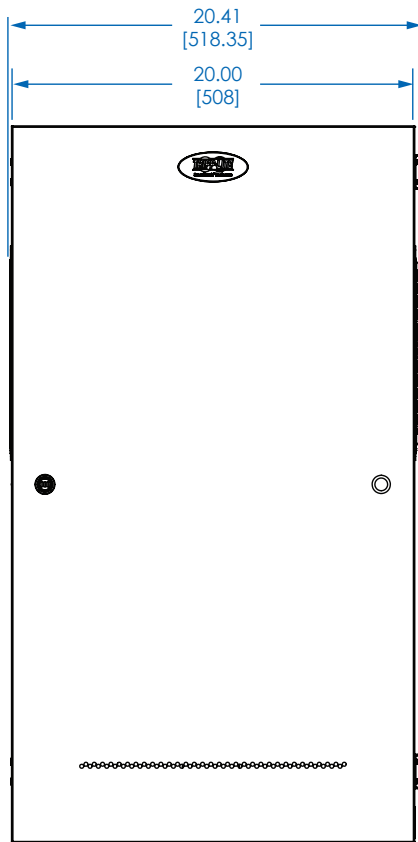


Specifications

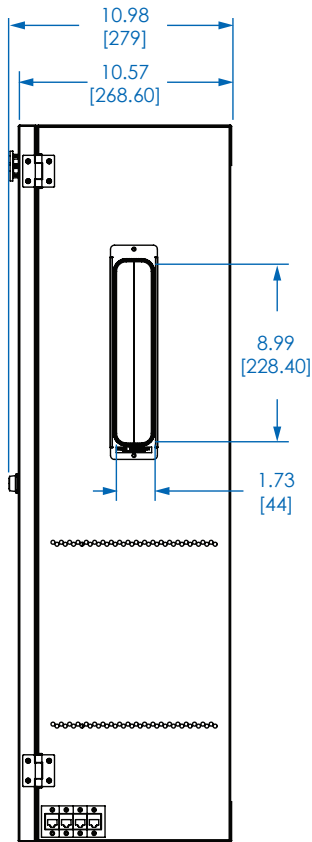
Model	SRWF10UMOD
Rack Spaces:	5U
Load Capacity:	150 lb. (68 kg)
Unit Dimensions (H x W x D):	35.6 x 20 x 10.7 in. (90.3 x 50.8 x 27 cm)
Unit Weight:	42 lb. (19 kg)
Certifications:	RoHS, EIA/ECA-310-E (Accommodates all standard 19-inch rack-mount equipment regardless of vendor.)

SEE NEXT PAGE FOR DETAILED UNIT MEASUREMENTS

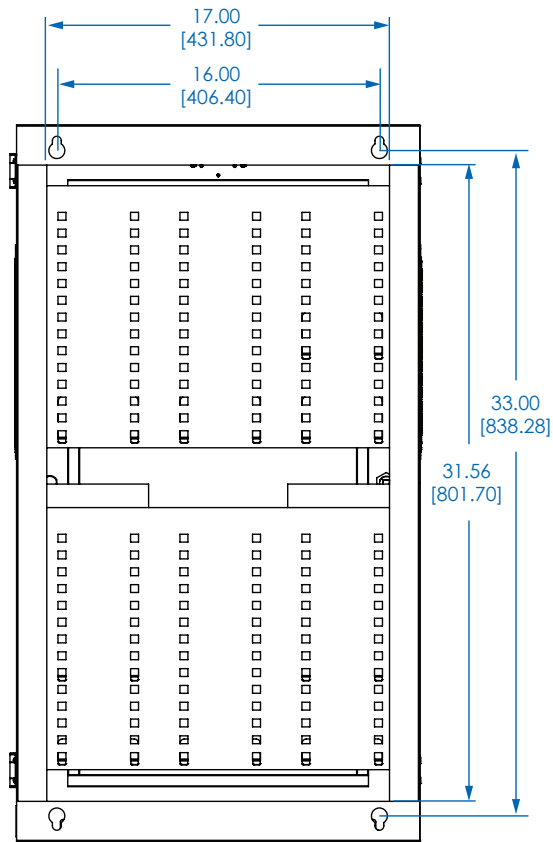
TRIPP-LITE
by **EAT•N**



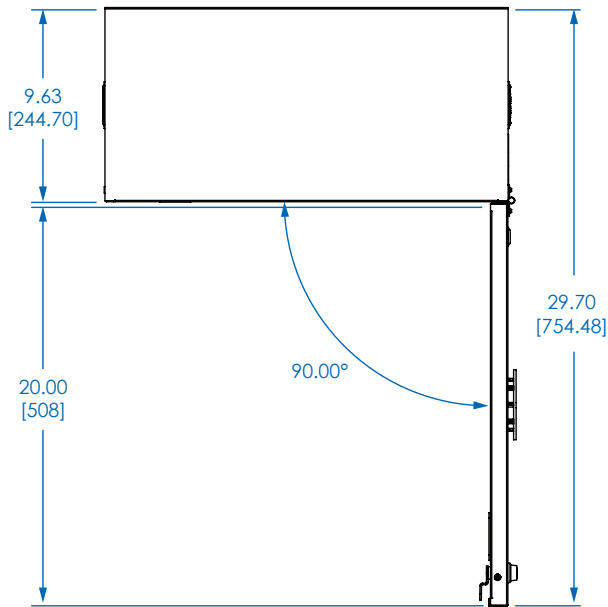
FRONT VIEW



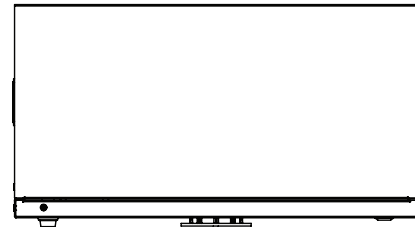
SIDE VIEW



BACK VIEW



TOP VIEW



TOP/BOTTOM VIEW

Dimensions: inches [mm]

We have a policy of continuous improvement. Specifications are subject to change without notice. Photos and illustrations may differ slightly from actual products.

Model:
SRWF10UMOD
TRIPP-LITE
 by **EATON**

1000 Eaton Boulevard
 Cleveland, OH 44122
 United States
 TrippLite.Eaton.com

About Tripp Lite by Eaton

Tripp Lite joined the Eaton family in March 2021. Eaton has long been a premier name in backup power and power management. The acquisition of Tripp Lite transforms Eaton's distributed IT infrastructure and connectivity equipment capabilities. Combining our product strengths and expert personnel allows us to offer comprehensive and innovative solutions for critical power and digital infrastructure applications, backed by quality, service and support you can trust. Learn more at tripplite.com/byEaton.