

MODEL:

SRW9UDPW

SmartRack® 9U Low-Profile Switch-Depth-Plus Wall-Mount Mini Rack Enclosure



9 Rack Units



200 lb.
Load Rating



Removable
Side Panels



Standard 19"
Rack Width



Convenient
Cable Access



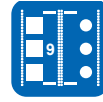
Adjustable
Mounting Rails



Ventilated for
Ample Airflow



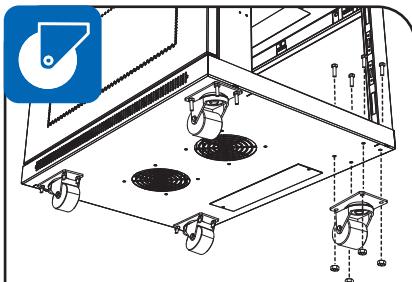
Reversible
Door



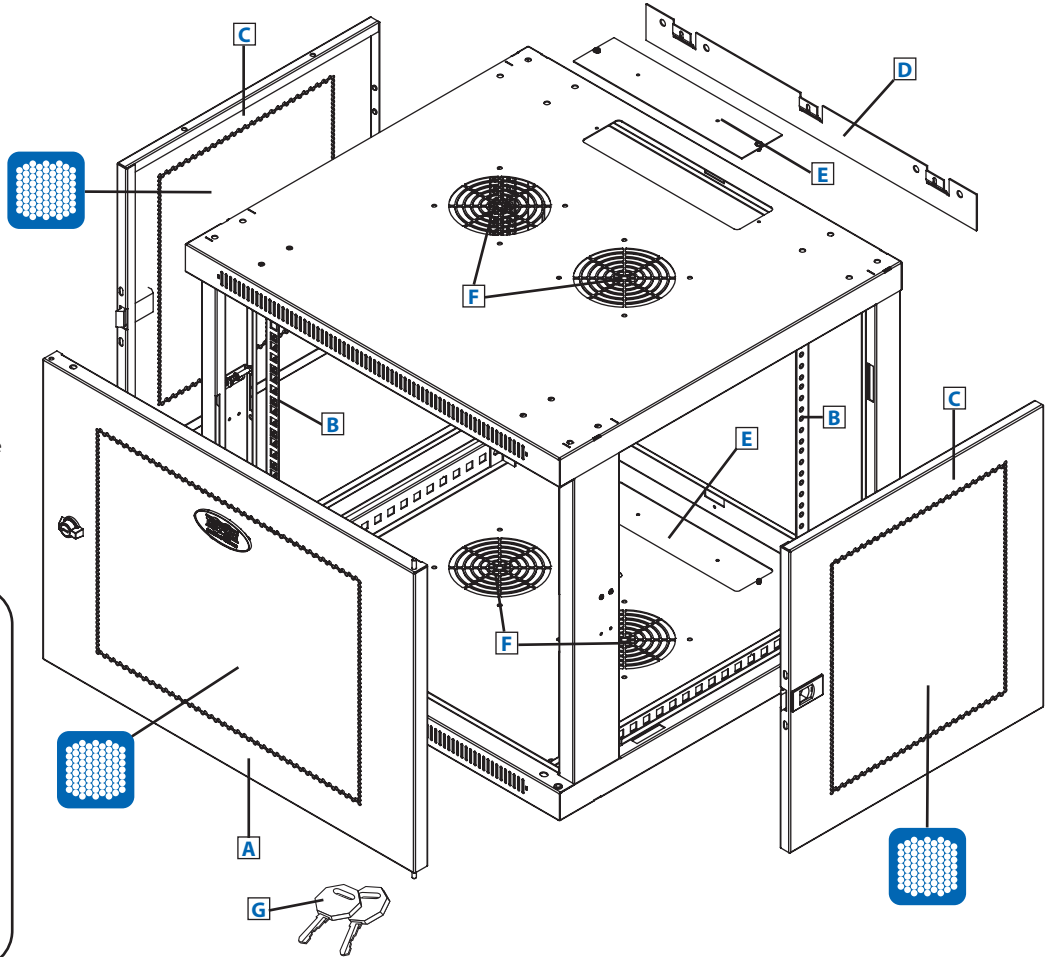
Square-Hole or
Threaded-Hole
Mounting

- A** Front Door
(Lockable/Removable/Reversible)
- B** Dual-Purpose Mounting Rails (4)
(Square- or Threaded-Hole Mounting)
- C** Side Panels (2)
(Lockable/Removable)
- D** Mounting Plate
(Removable. Includes mounting hooks for cabinet.)
- E** Cable Access Port Covers (2)
(Removable)
- F** Ventilation Fan Ports (4)
(Support optional SRFANWM fan kit.)
- G** Keys (2)

Also Includes: Owner's manual, mounting plate screws (3), cabinet ground screw, pre-installed front door ground wire and rack-mount equipment mounting hardware (18 cage nuts, 18 mounting screws, 18 nylon cup washers).



Floor-Standing Installation: Optional SRCASTER kit adapts cabinet to roll under desks, tables or counters. (Kit includes 4 casters.)



Specifications

Model	SRW9UDPW
Rack Spaces	9U
Equipment Mounting Depth	Up to 20.5 in. / 521 mm
Load Rating*	200 lb. / 90.7 kg
Unit Dimensions (H x W x D)	19.83 x 23.62 x 21.71 in. / 504 x 600 x 552 mm
Shipping Dimensions (H x W x D)	24.41 x 28.75 x 26.57 in. / 620 x 730 x 675 mm
Unit Weight	51.8 lb. / 23.5 kg
Shipping Weight	55.1 lb. / 25 kg
Standards	Tested to UL/EN 60950-1, IEC 60297-3-100, CSA, IP20, ECA/EIA-310-E, NOM, RoHS, PCI-DSS

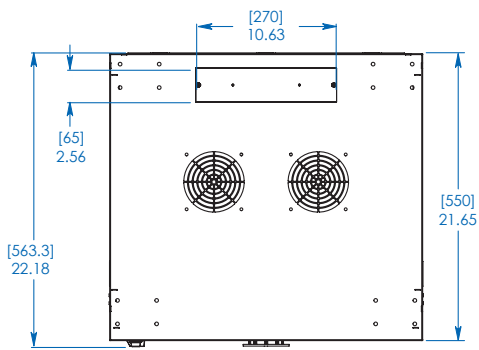
* The load rating includes the combined weight of the unit and installed equipment. The unit must be mounted to a stable surface with user-supplied anchors capable of bearing the full load.

- Wall-mount enclosures provide convenient, locking storage for rack-mount IT devices and other equipment that should be off the floor, out of the way and secure
- Reversible cabinet allows installers to reverse door swing by rotating the unit 180° before mounting
- Dual-purpose rails accommodate square-hole mounting or threaded-hole mounting

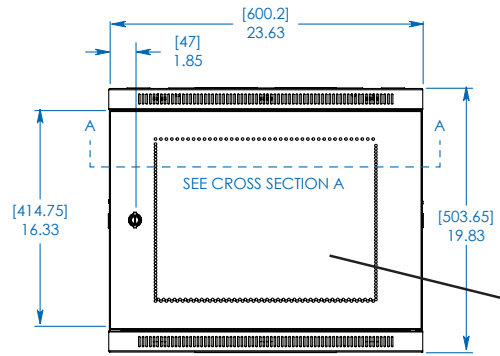
SEE NEXT PAGE FOR DETAILED UNIT MEASUREMENTS

TRIPP-LITE
by **EATON**

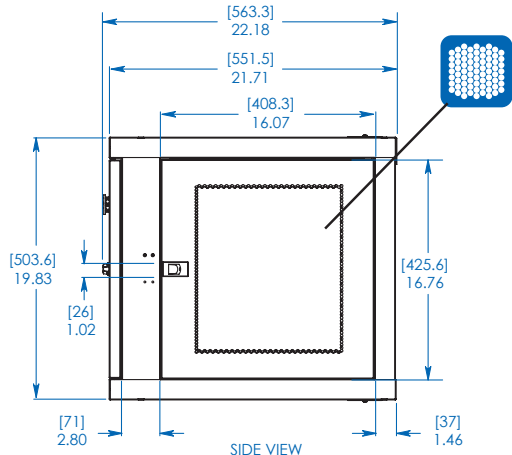




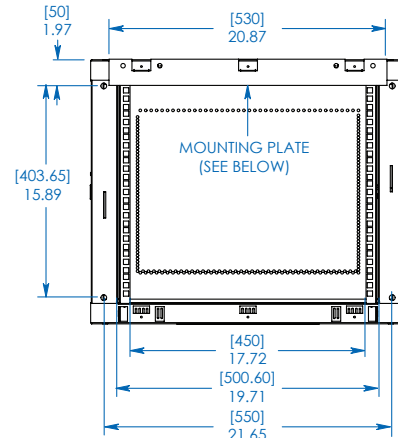
TOP/BOTTOM VIEW



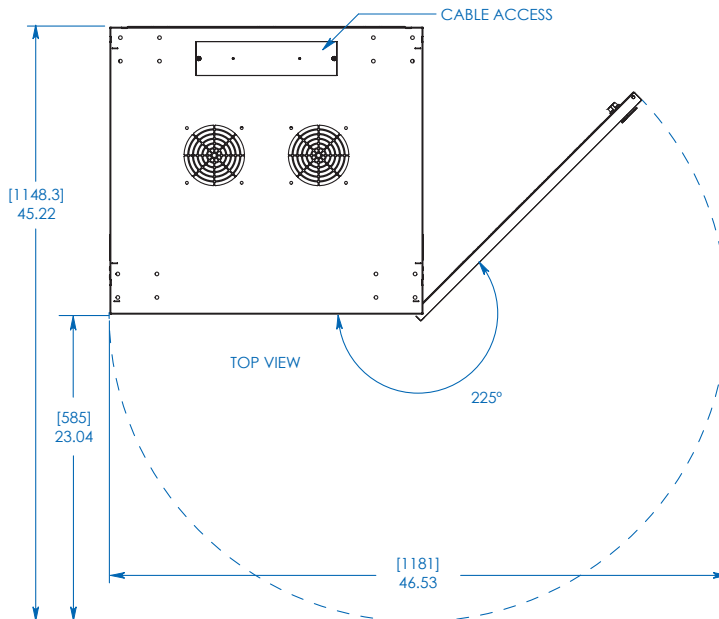
FRONT VIEW



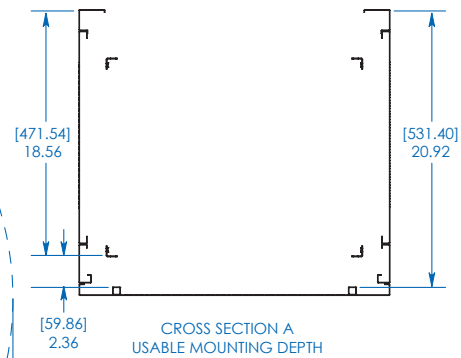
SIDE VIEW



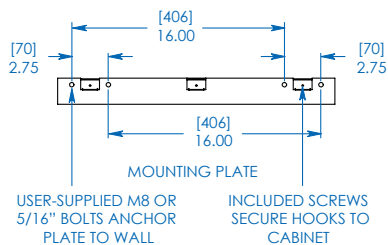
REAR VIEW



TOP VIEW



CROSS SECTION A
USABLE MOUNTING DEPTH



MOUNTING PLATE

USER-SUPPLIED M8 OR 5/16" BOLTS ANCHOR PLATE TO WALL
INCLUDED SCREWS SECURE HOOKS TO CABINET

Model:
SRW9UDPW

TRIPP-LITE
by **EATON**

1111 W. 35th Street
Chicago, IL 60609 USA
773.869.1234
triplite.com

Dimensions: mm [inches]

We have a policy of continuous improvement. Specifications are subject to change without notice. Photos and illustrations may differ slightly from actual products.

About Tripp Lite by Eaton

Tripp Lite joined the Eaton family in March 2021. Eaton has long been a premier name in backup power and power management. The acquisition of Tripp Lite transforms Eaton's distributed IT infrastructure and connectivity equipment capabilities. Combining our product strengths and expert personnel allows us to offer comprehensive and innovative solutions for critical power and digital infrastructure applications, backed by quality, service and support you can trust. Learn more at triplite.com/byEaton.