

MODEL:

SRW9UDPVRT

SmartRack® Low-Profile Switch-Depth-Plus Wall-Mount Mini Rack Enclosure



9 Rack Units



200 lb. Load Capacity



Locking Front Door & Side Panels



3 in. of Extra Width



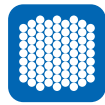
Two Vertical Cable Managers



Two Cable Pass-Through Slots



Adjustable Rails with Easy-View Depth Index



Airflow Exceeds Server OEM Requirements



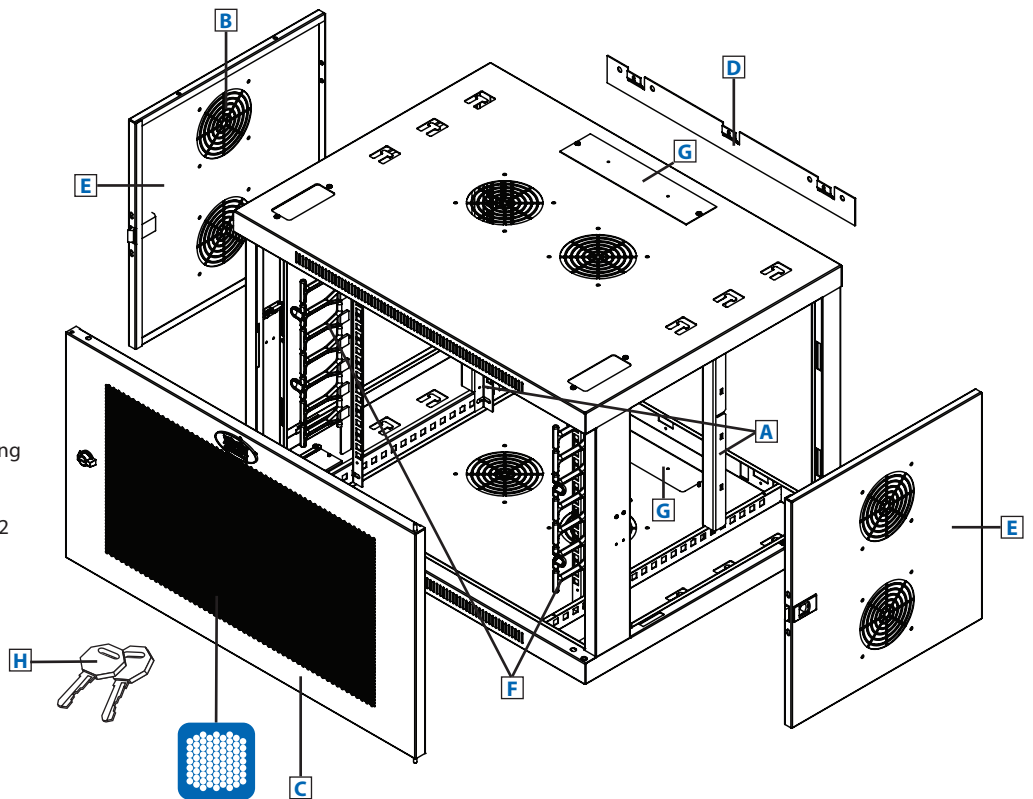
Meets Payment Card Industry Standards



Square Hole Mounting

- A** Adjustable Mounting Rails (4)
- B** Ventilation Fan Ports (8)
(Support optional SRFANWM fan kit.)
- C** Front Door
(Lockable/Removable)
- D** Mounting Plate
(Removable. Includes mounting hooks for cabinet.)
- E** Modular Side Panels
(Lockable/Removable)
- F** Vertical Cable Managers (2)
- G** Cable Pass-Through Slots (2)
- H** Keys
(for doors and side panels)

Also includes: owner's manual, 3 mounting plate screws and equipment mounting hardware (22 M6 cage nuts, 22 M6 mounting screws, 22 12-24 screws and 22 M6 washers).



- Enclosure ships fully assembled for rapid deployment
- Extra space accommodates equipment up to 20.5 in. deep
- 9U of rack space when mounted horizontally
- Vertical cable managers and pass-through slots help simplify installation and maintenance
- Ideal for rack-mount server, network and telecom applications

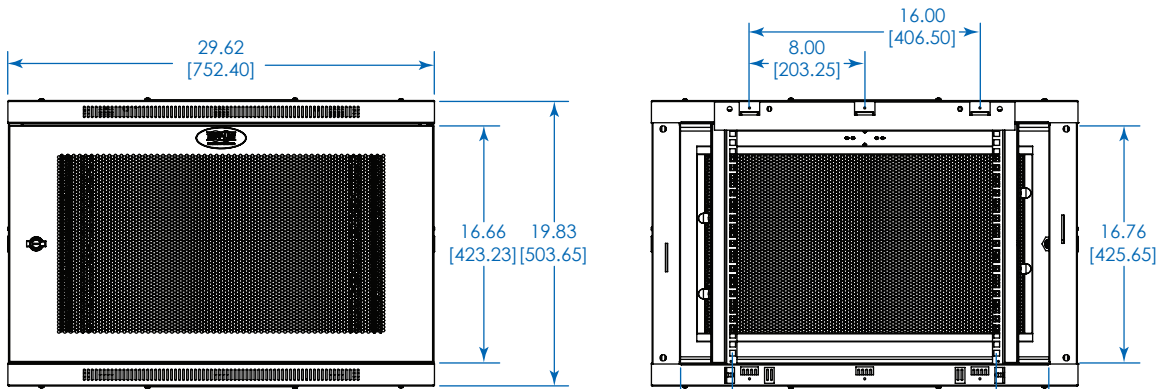
SEE NEXT PAGE FOR DETAILED UNIT MEASUREMENTS

Specifications

Model	SRW9UDPVRT
Rack Spaces	9U
Maximum Load Capacity	200 lb. / 90.72 kg
Unit Dimensions (H x W x D)	19.83 x 29.62 x 21.71 in. / 503.68 x 752.35 x 551.43 mm
Shipping Dimensions (H x W x D)	23.03 x 24.4 x 32.28 in. / 584.96 x 619.76 x 819.91 mm
Unit Weight	51.8 lb. (23.5 kg)
Shipping Weight	58 lb. (26.3 kg)
Standards	EIA/ECA-310-E, RoHS

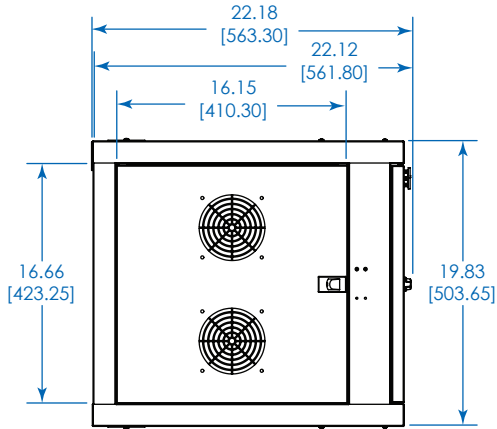


TRIPP-LITE
by **EAT·N**

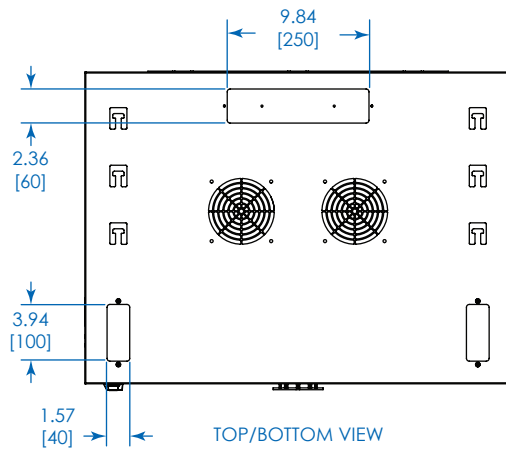


FRONT VIEW

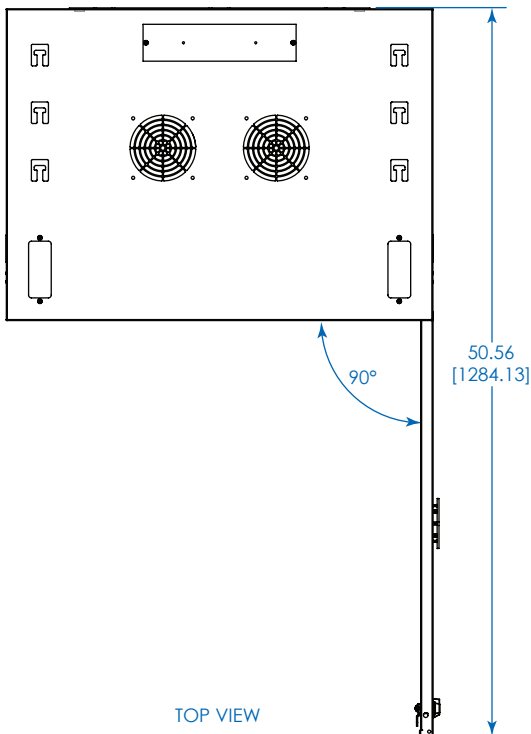
REAR VIEW



SIDE VIEW



TOP/BOTTOM VIEW



TOP VIEW

Dimensions: inches [mm]

We have a policy of continuous improvement. Specifications are subject to change without notice. Photos and illustrations may differ slightly from actual products.

Model:
SRW9UDPVRT
TRIPP-LITE
 by **EATON**

1111 W. 35th Street
 Chicago, IL 60609 USA
 773.869.1234
 triplite.com

About Tripp Lite by Eaton

Tripp Lite joined the Eaton family in March 2021. Eaton has long been a premier name in backup power and power management. The acquisition of Tripp Lite transforms Eaton's distributed IT infrastructure and connectivity equipment capabilities. Combining our product strengths and expert personnel allows us to offer comprehensive and innovative solutions for critical power and digital infrastructure applications, backed by quality, service and support you can trust. Learn more at triplite.com/byEaton.