

MODEL:

SRW6UDPGVRT

SmartRack® Low-Profile Switch-Depth-Plus Wall-Mount Mini Rack Enclosure



6 Rack Units



200 lb. Load Capacity



Acrylic Window



Locking Doors & Side Panels



Reversible Front Door



3 in. of Extra Width



Convenient Cable Access



Adjustable Rails



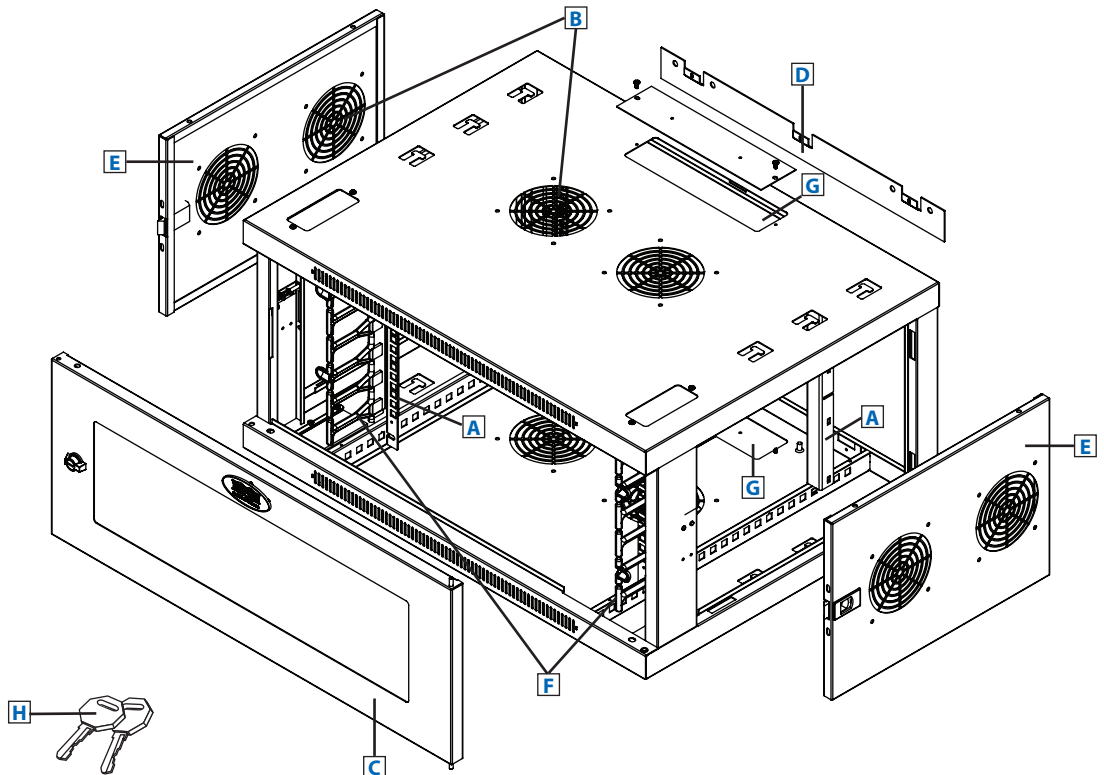
Meets Payment Card Industry Standards



Square/Threaded Hole Mounting

- A** Adjustable Mounting Rails (4)
- B** Ventilation Fan Ports (8)
(Support optional SRFANWM fan kit.)
- C** Front Door
(Lockable/Reversible)
- D** Mounting Plate
(Removable. Includes mounting hooks for cabinet.)
- E** Modular Side Panels
(Lockable/Removable)
- F** Vertical Cable Managers (2)
- G** Cable Pass-Through Slots (2)
- H** Keys
(for doors and side panels)

Also includes: owner's manual, removable mounting plate, 2 side panels, vertical cable management fingers, 2 keys and equipment mounting hardware (22 M6 screws, 22 M6 washers, 22 M6 cage nuts, 22 12-24 screws, 3 mounting plate screws).



- Enclosure ships fully assembled for rapid deployment
- Extra width provides space for convenient cable management
- Vertical cable managers and pass-through slots help simplify installation and maintenance
- Ideal for rack-mount server, network and telecom applications

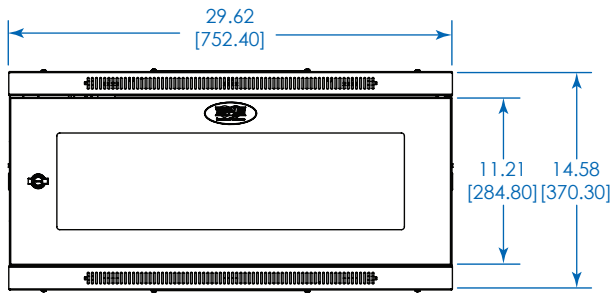
SEE NEXT PAGE FOR DETAILED UNIT MEASUREMENTS

Specifications

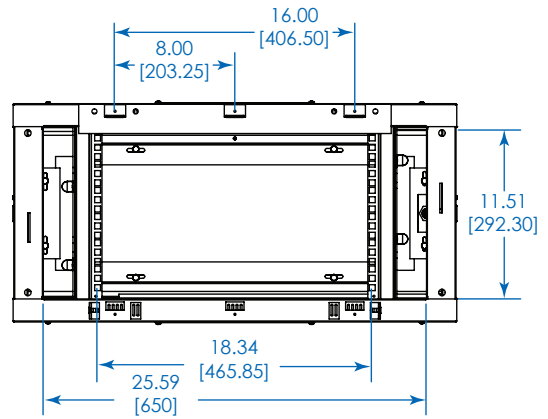
Model	SRW6UDPGVRT
Rack Spaces	6U
Maximum Load Capacity	200 lb. / 90.72 kg
Unit Dimensions (H x W x D)	14.58 x 29.62 x 21.71 in. / 370 x 752 x 551 mm
Shipping Dimensions (H x W x D)	17.72 x 24.4 x 32.28 in. / 450 x 620 x 820 mm
Standards	EIA/ECA-310-E, RoHS



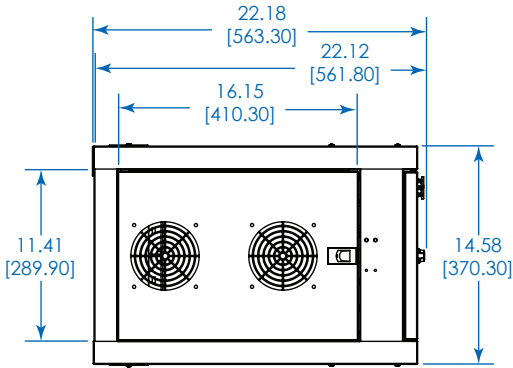
TRIPP-LITE
by **EAT·N**



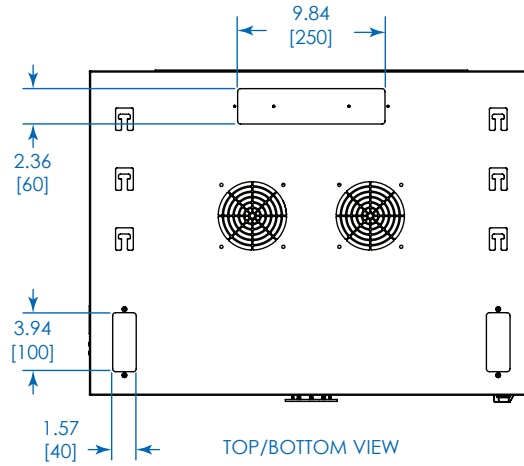
FRONT VIEW



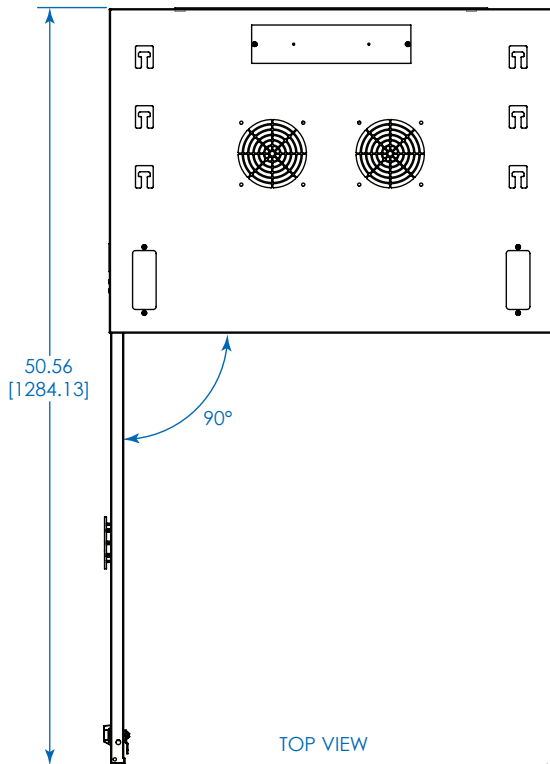
REAR VIEW



SIDE VIEW



TOP/BOTTOM VIEW



TOP VIEW

Dimensions: inches [mm]

We have a policy of continuous improvement. Specifications are subject to change without notice. Photos and illustrations may differ slightly from actual products.

Model:
SRW6UDPGVRT

TRIPP-LITE
by **EATON**

1111 W. 35th Street
Chicago, IL 60609 USA
773.869.1234
tripplite.com

About Tripp Lite by Eaton

Tripp Lite joined the Eaton family in March 2021. Eaton has long been a premier name in backup power and power management. The acquisition of Tripp Lite transforms Eaton's distributed IT infrastructure and connectivity equipment capabilities. Combining our product strengths and expert personnel allows us to offer comprehensive and innovative solutions for critical power and digital infrastructure applications, backed by quality, service and support you can trust. Learn more at tripplite.com/byEaton.