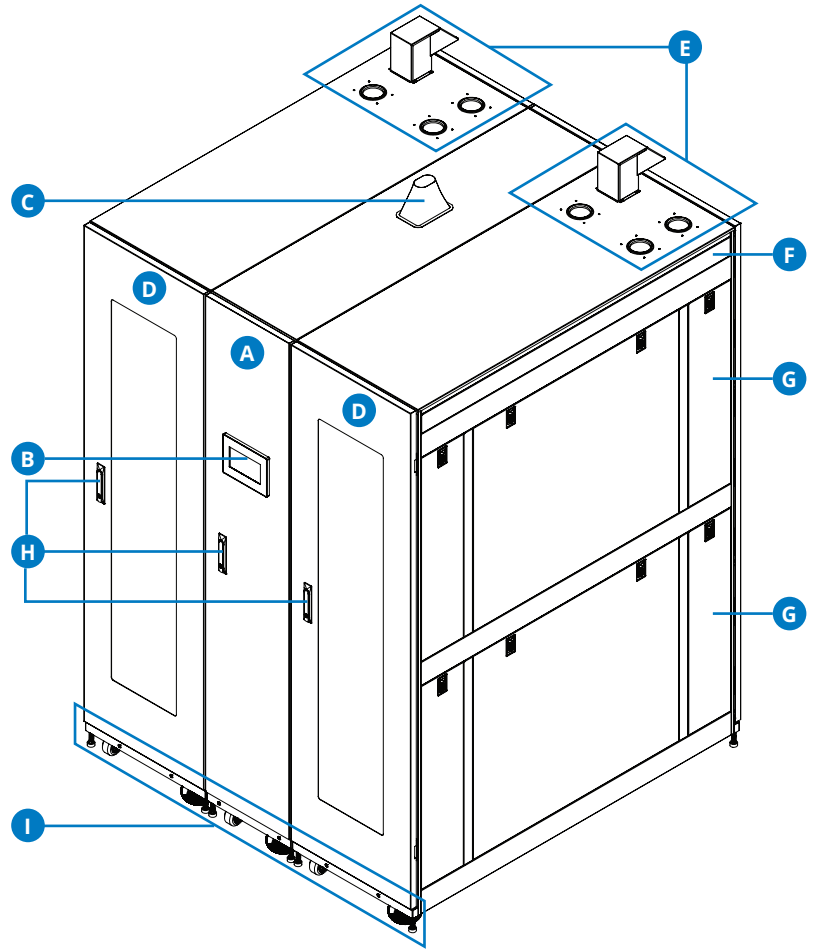


SmartRack® Modular Data Center SRP-2R-C25

2 IT Rack Enclosures + 1 Cooling Enclosure + 1 25 kW Cooling Unit

- A** Cooling System with Enclosure and Outdoor Condenser (Not Shown)
- B** 7" Touchscreen Cooling Display
- C** Refrigerant Tubes Entry (Top or Bottom Entry)
- D** IT Rack Enclosure with Clear Acrylic Window
- E** Adjustable Cable Service Hood with 4 Cable Entry Hole Options
- F** Cable Management Plenum
- G** Locking, Removable Side Panels
- H** Locking Handle (Security Lock Options Available)
- I** Casters and Leveling Feet



SPECIFICATIONS

Configuration Type	Two-Rack
44U IT Rack Enclosure Qty.	2
Individual IT Rack Enclosure Size [H x W x D]	95 x 23.6 x 64.9 in. / 2415 x 600 x 1648 mm
Individual IT Rack Enclosure Weight	570 lb. / 259 kg
Cooling System (kW) with Enclosure Qty.	1 (25 kW)
Individual Cooling Enclosure Size [H x W x D]	95 x 16.5 x 64.9 in. / 2415 x 420 x 1648 mm
Individual Cooling Enclosure Weight*	440 lb. / 200 kg
Cooling System Size** [H x W x D]	78.7 x 11.8 x 43.3 in. / 2000 x 300 x 1100 mm
Cooling System Weight**	437 lb. / 198 kg
Overall Size [H x W x D]	95 x 64.3 x 64.9 in. / 2415 x 1632 x 1648 mm
Overall Weight with Cooling System	2017 lb. / 915 kg

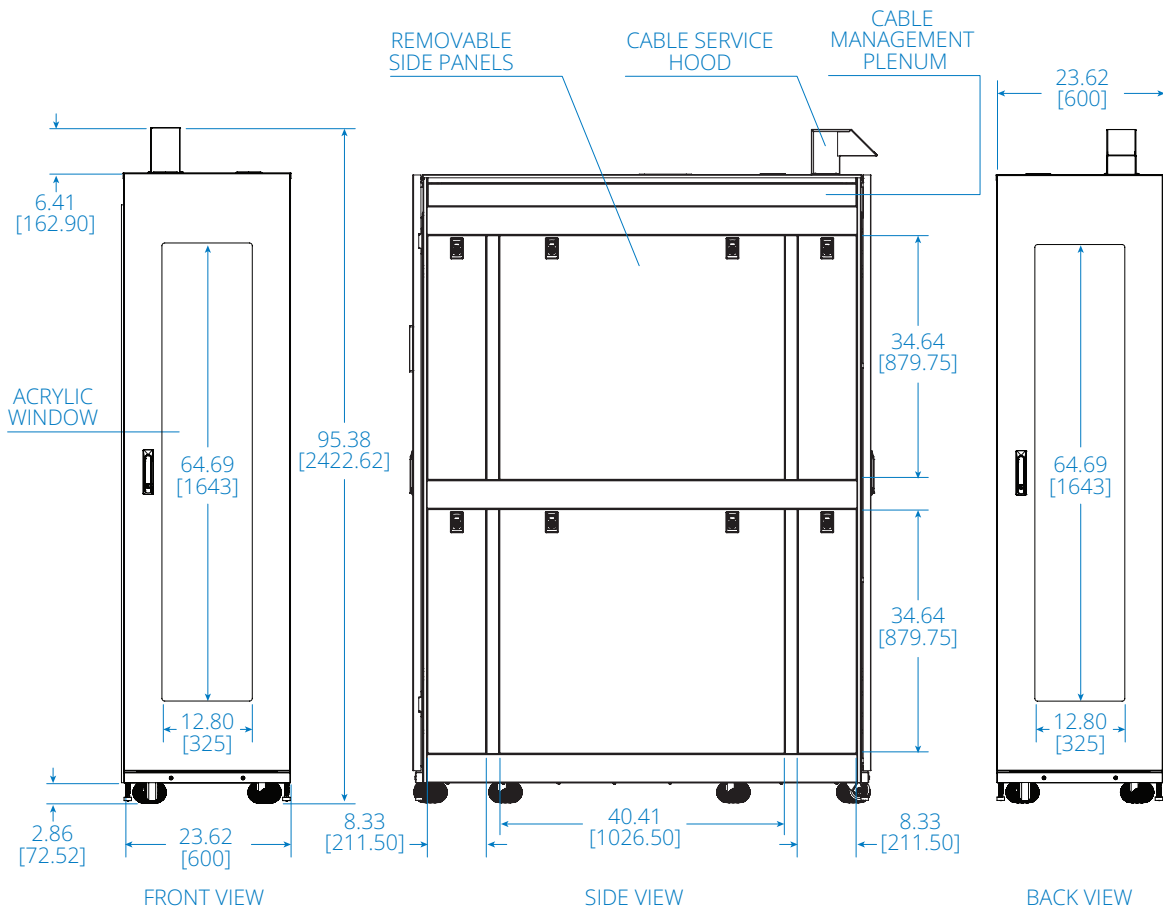
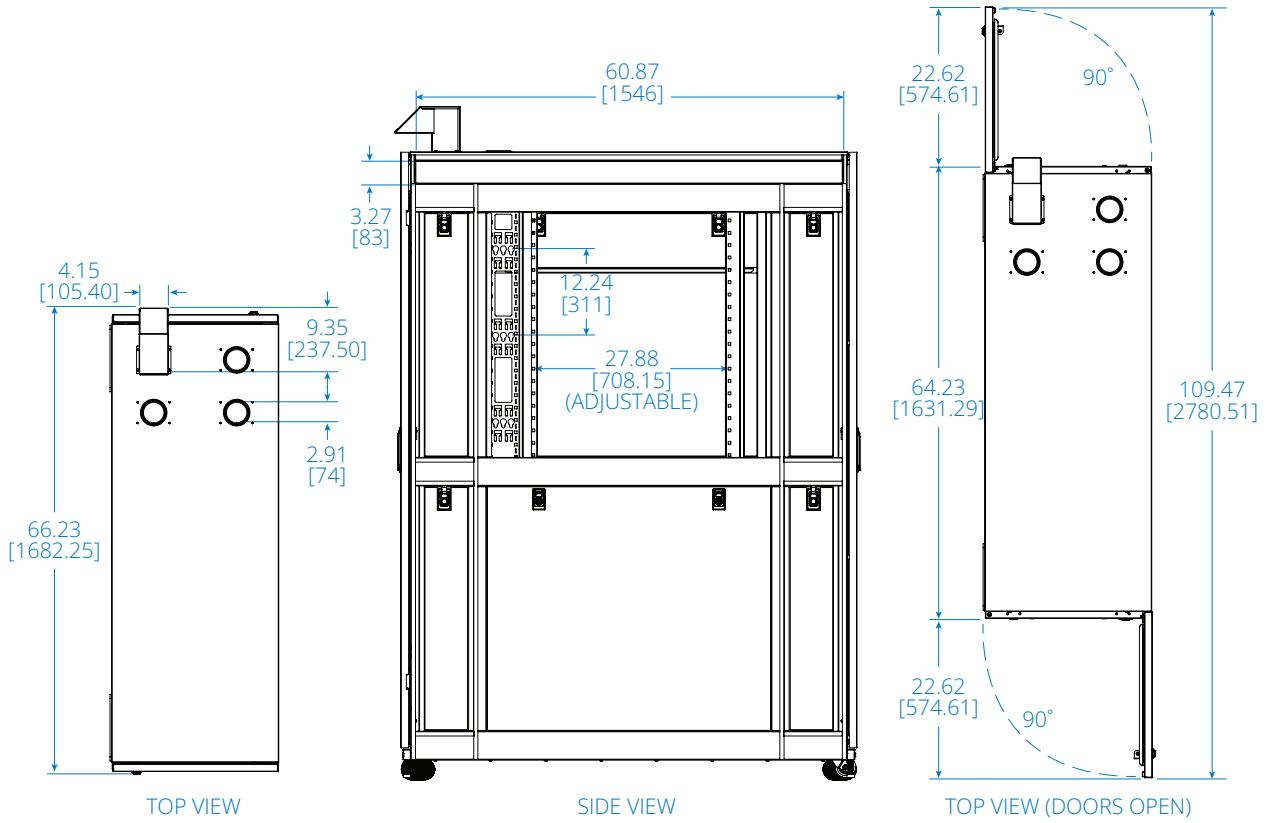
*Weight without the cooler.

**Size and weight values do not include the outdoor condenser.



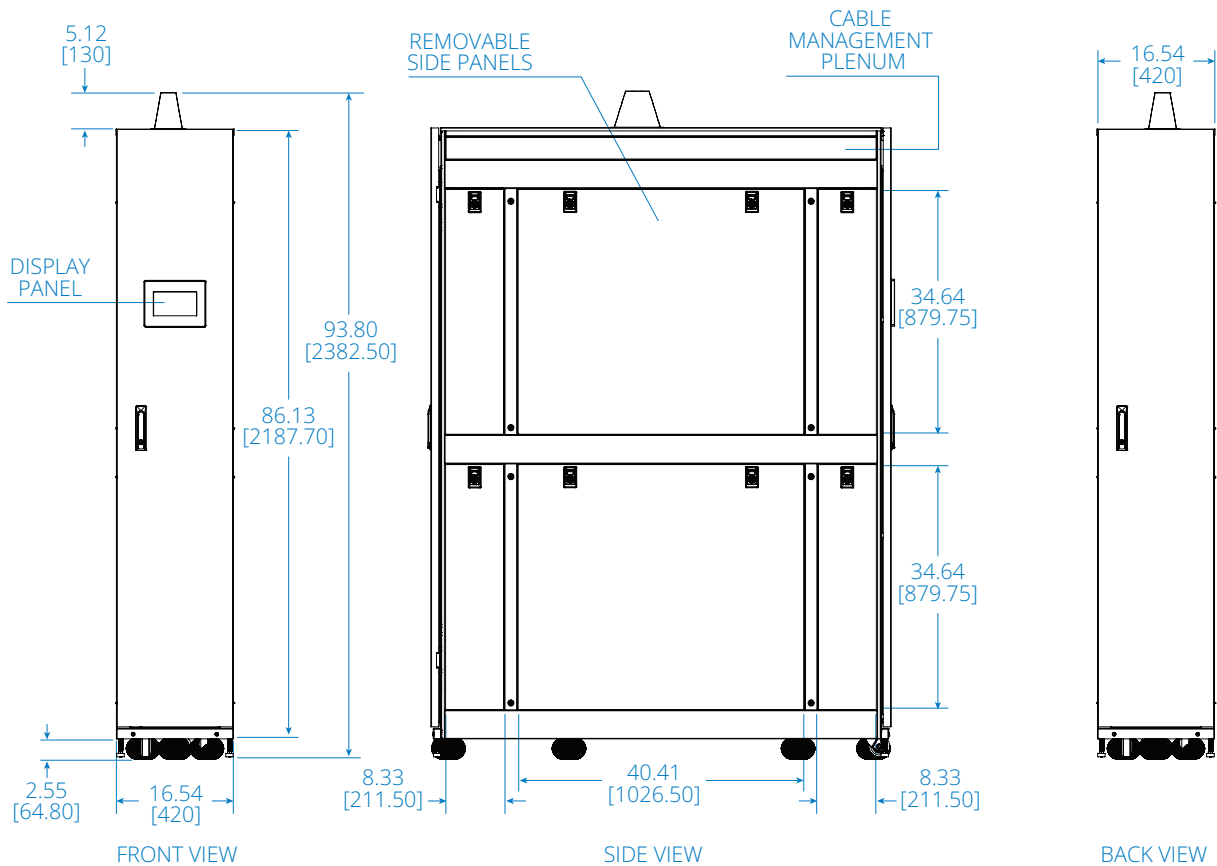
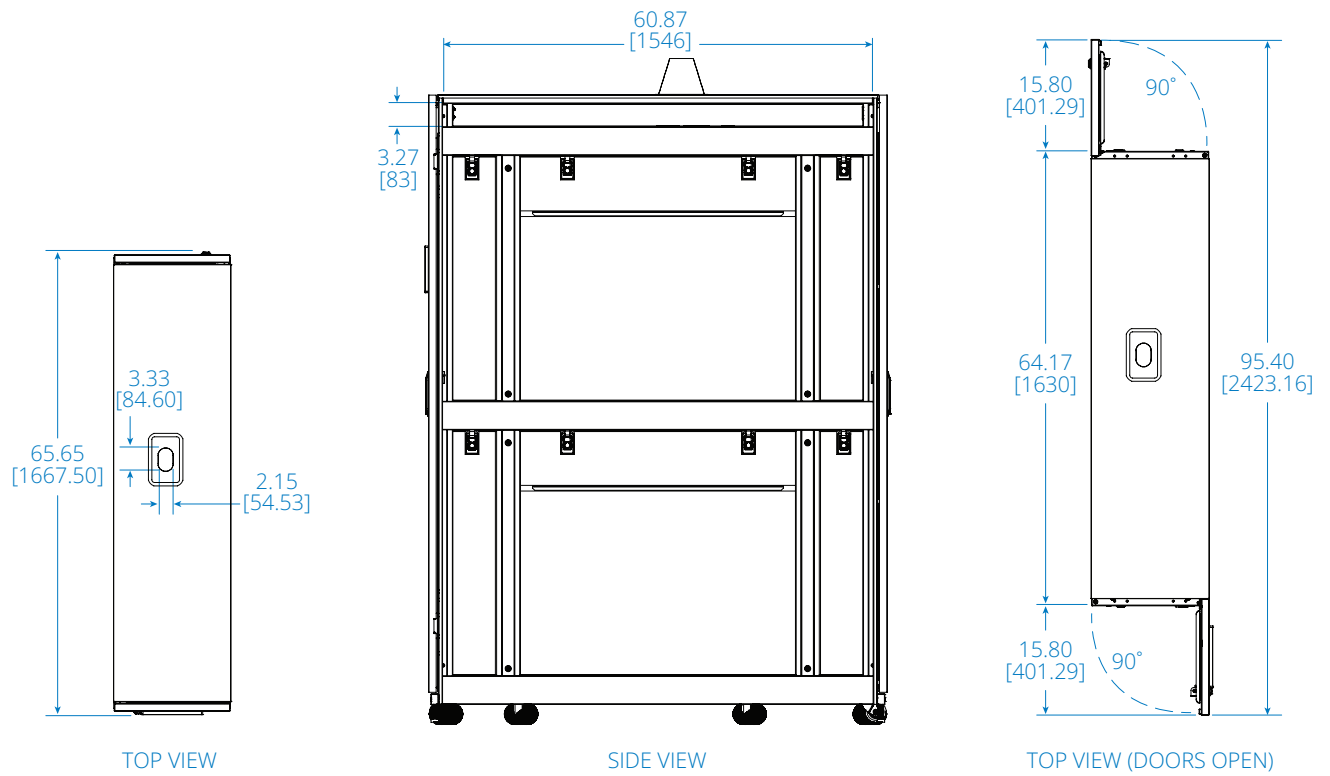
Powering Business Worldwide

IT Rack Enclosure SRP-2R-C25



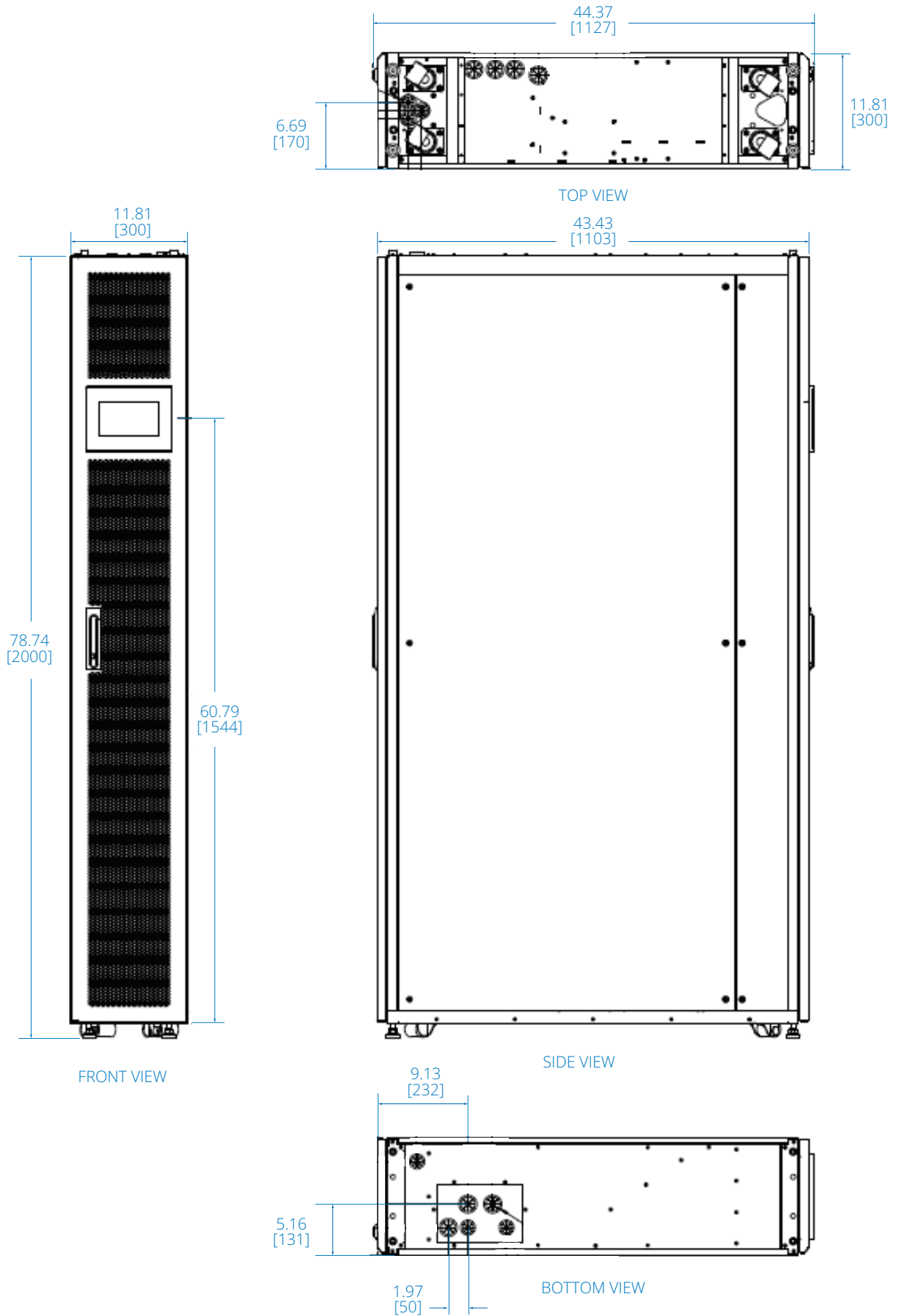
Dimensions: INCHES [mm]

Cooling Enclosure SRP-2R-C25



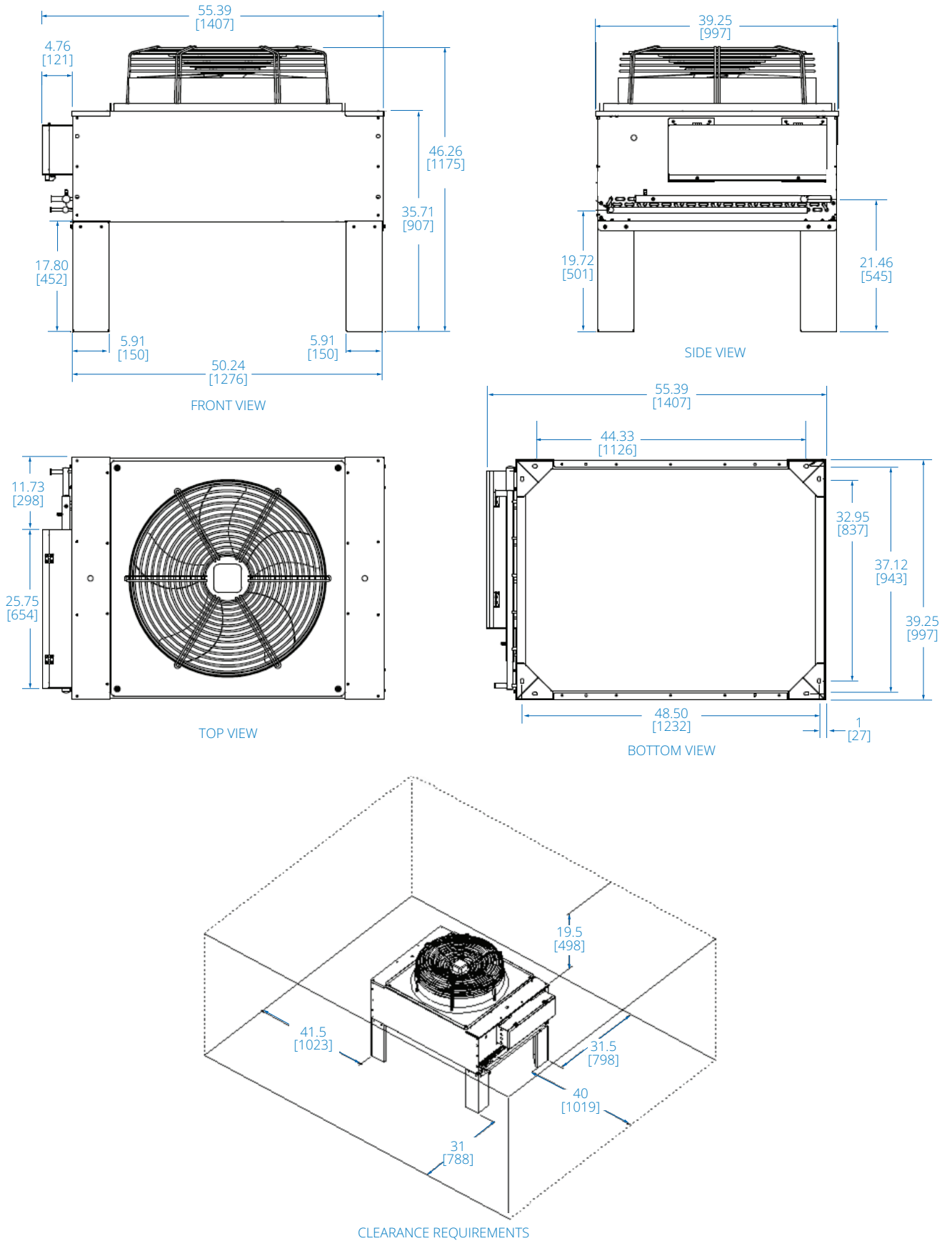
Dimensions: INCHES [mm]

Cooling Unit SRP-2R-C25



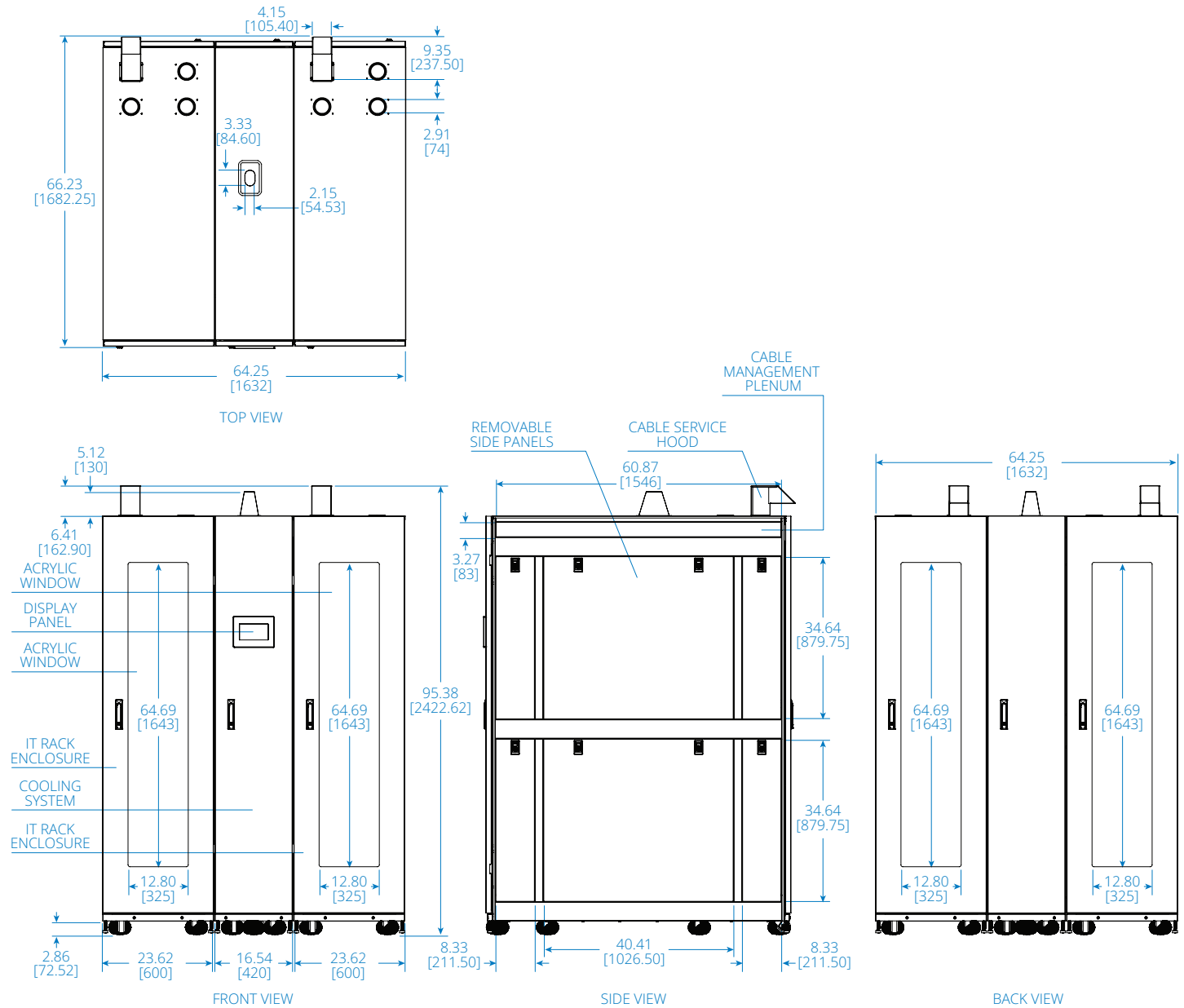
Dimensions: INCHES [mm]

Outdoor Condenser Unit SRP-2R-C25



Dimensions: INCHES [mm]

Assembled Unit SRP-2R-C25



Dimensions: INCHES [mm]

Learn more at
[TrippLite.Eaton.com/ModularDataCenter](https://www.commodore.com/ModularDataCenter)



Eaton
 1000 Eaton Boulevard
 Cleveland, OH 44122
 United States
 Eaton.com

© 2024 Eaton
 All Rights Reserved
 Publication No. 23-11-119
 March 2024

No part of this document may be reproduced in any way without the express written approval of Eaton.

Eaton reserves the right to change specifications without prior notice. Eaton is a registered trademark of Eaton. All other trademarks are properties of their respective companies.

Follow us on social media to get the latest product and support information.

