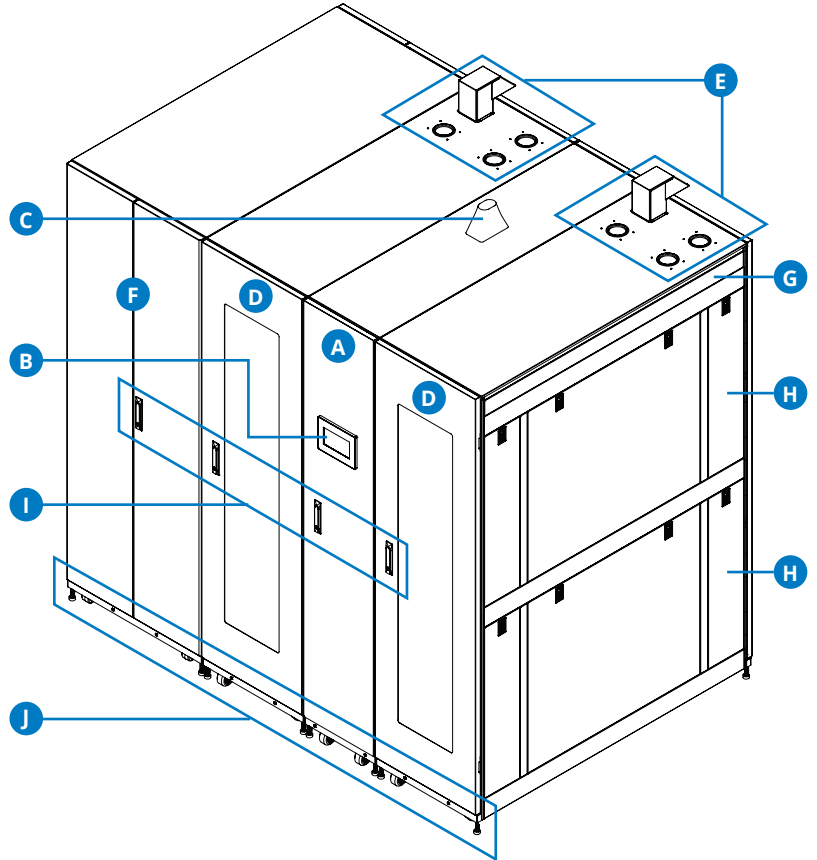


SmartRack® Modular Data Center SRP-2R-C25-M

2 IT Rack Enclosures + 1 Cooling Enclosure + 1 25 kW Cooling Unit + 1 Service Enclosure

- A** Cooling System with Enclosure and Outdoor Condenser (Not Shown)
- B** 7" Touchscreen Cooling Display
- C** Refrigerant Tubes Entry (Top or Bottom Entry)
- D** IT Rack Enclosure with Clear Acrylic Window
- E** Adjustable Cable Service Hood with 4 Cable Entry Hole Options
- F** Customizable Service Enclosure with Vented Door
- G** Cable Management Plenum
- H** Locking, Removable Side Panels
- I** Locking Handle (Security Lock Options Available)
- J** Casters and Leveling Feet



SPECIFICATIONS

Configuration Type	Two-Rack
44U IT Rack Enclosure Qty.	2
Individual IT Rack Enclosure Size [H x W x D]	95 x 23.6 x 64.9 in. / 2415 x 600 x 1648 mm
Individual IT Rack Enclosure Weight	570 lb. / 259 kg
Cooling System (kW) with Enclosure Qty.	1 (25 kW)
Individual Cooling Enclosure Size [H x W x D]	95 x 16.5 x 64.9 in. / 2415 x 420 x 1648 mm
Individual Cooling Enclosure Weight*	440 lb. / 200 kg
Cooling System Size**	78.7 x 11.8 x 43.3 in. / 2000 x 300 x 1100 mm
Cooling System Weight**	437 lb. / 198 kg
Medium Service Enclosure Qty.	1
Medium Service Enclosure Size [H x W x D]	95 x 31.5 x 64.9 in. / 2415 x 800 x 1648 mm
Medium Service Enclosure Weight	736 lb. / 334 kg
Overall Size [H x W x D]	95 x 96 x 64.9 in. / 2415 x 2442 x 1648 mm
Overall Weight with Cooling System	2753 lb. / 1249 kg

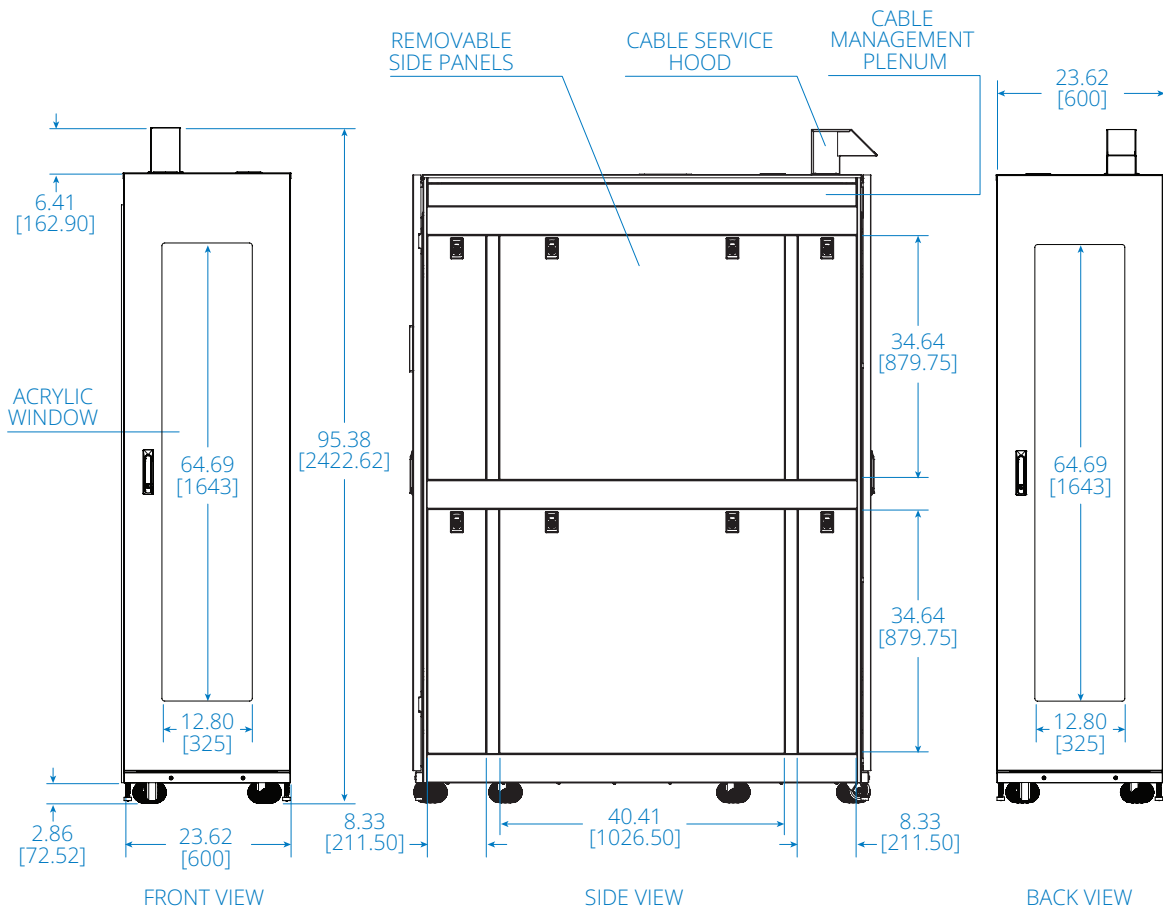
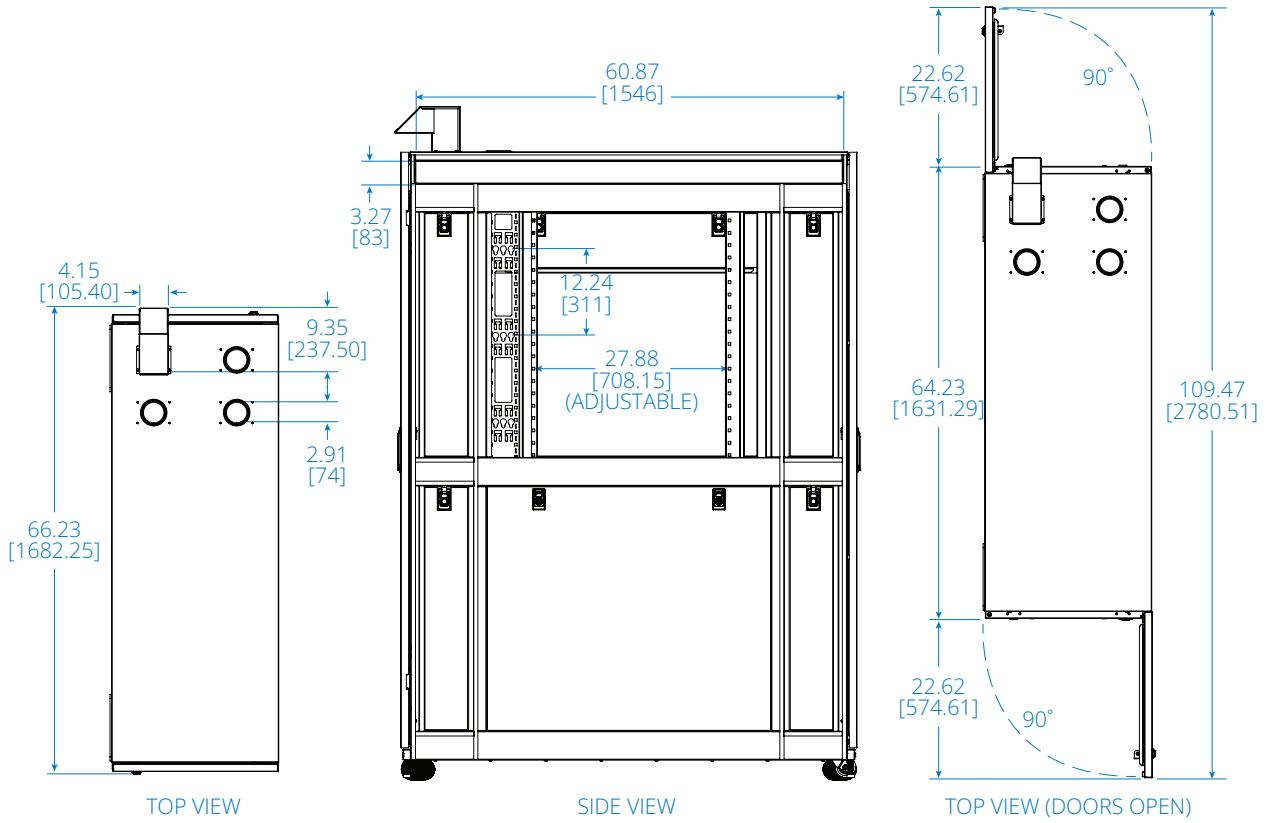
*Weight without the cooler.

**Size and weight values do not include the outdoor condenser.



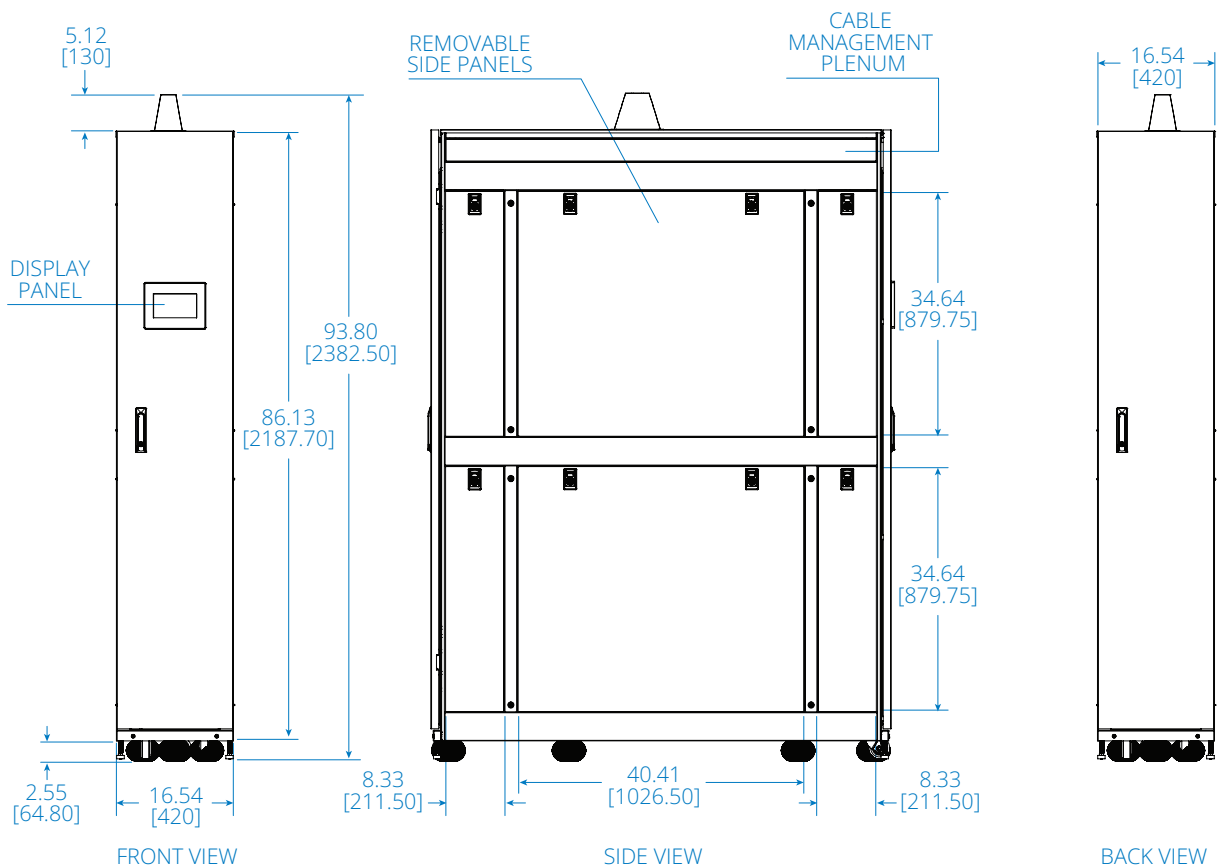
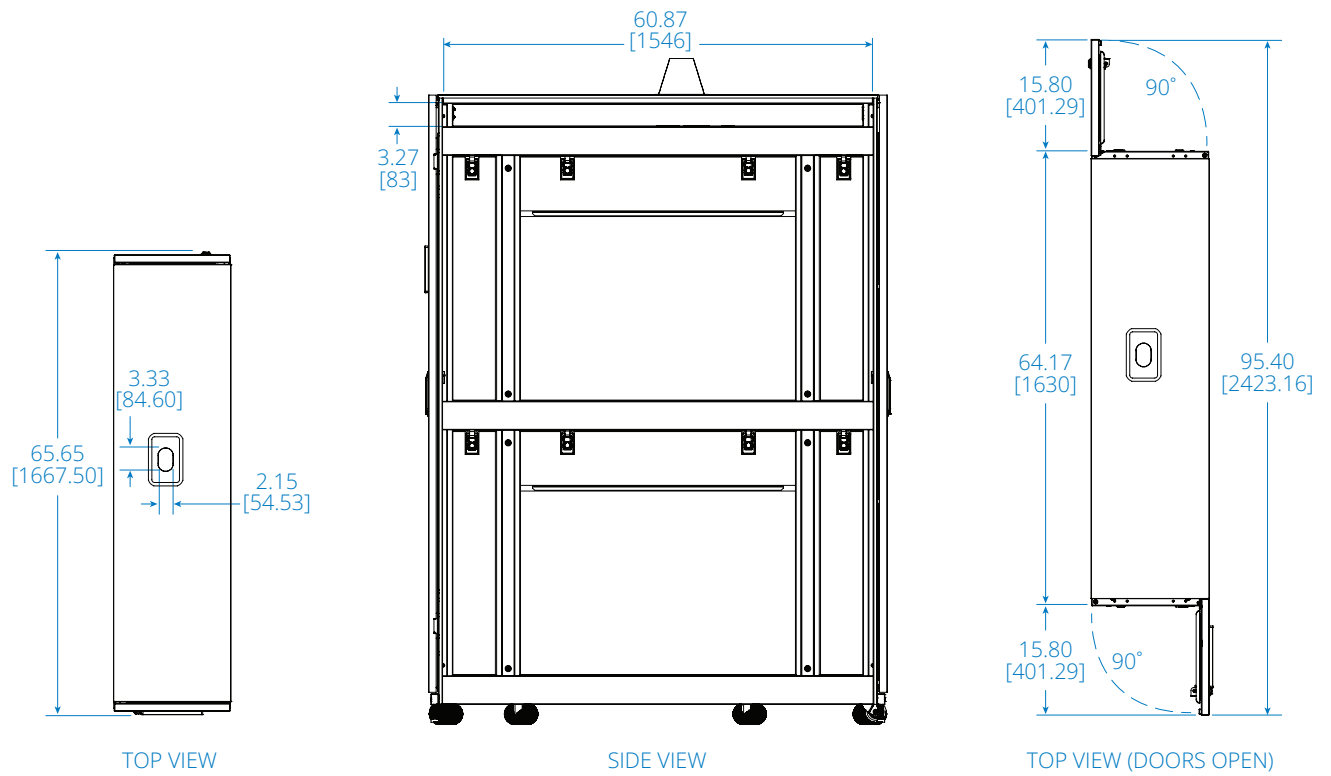
Powering Business Worldwide

IT Rack Enclosure SRP-2R-C25-M



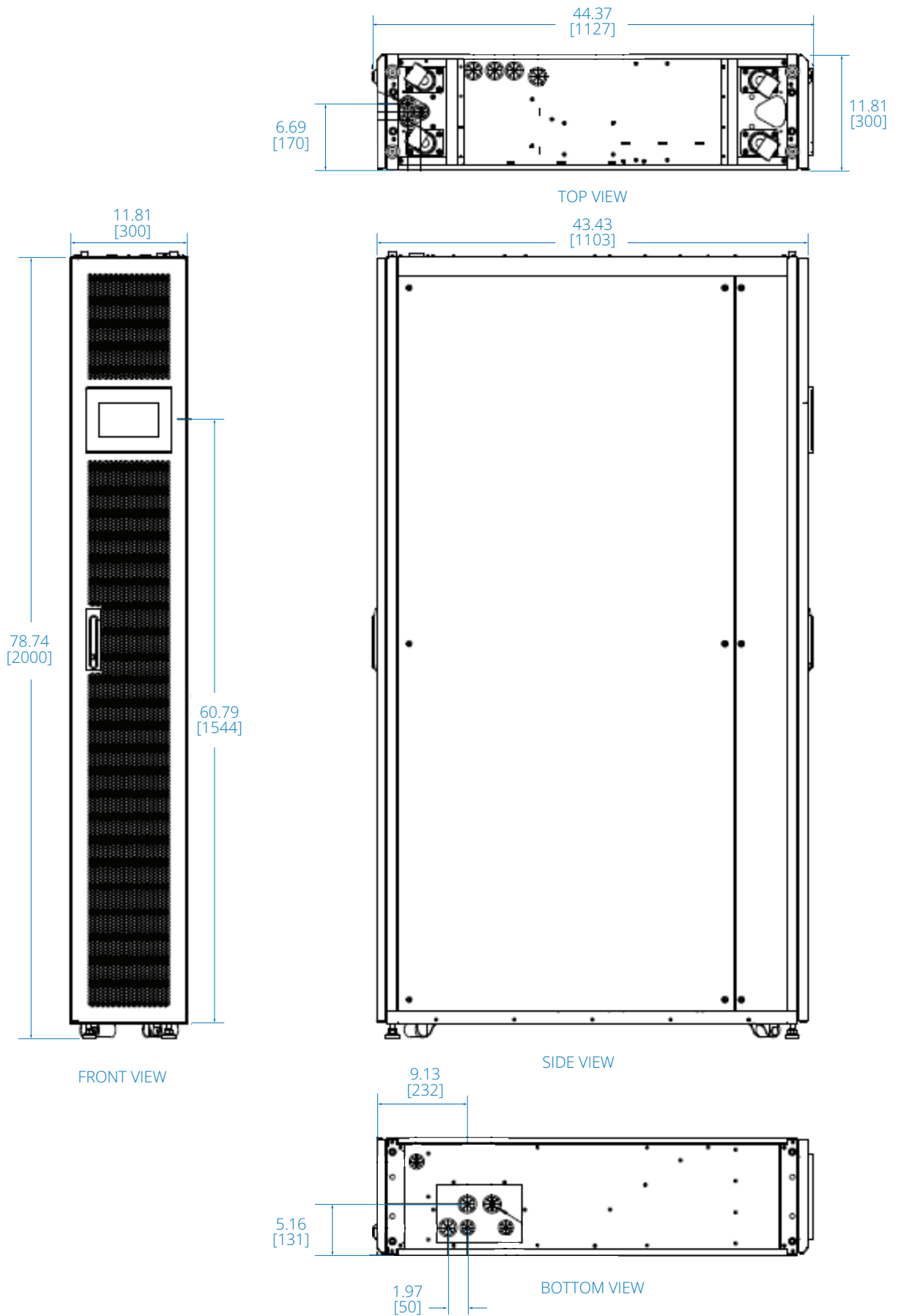
Dimensions: INCHES [mm]

Cooling Enclosure SRP-2R-C25-M



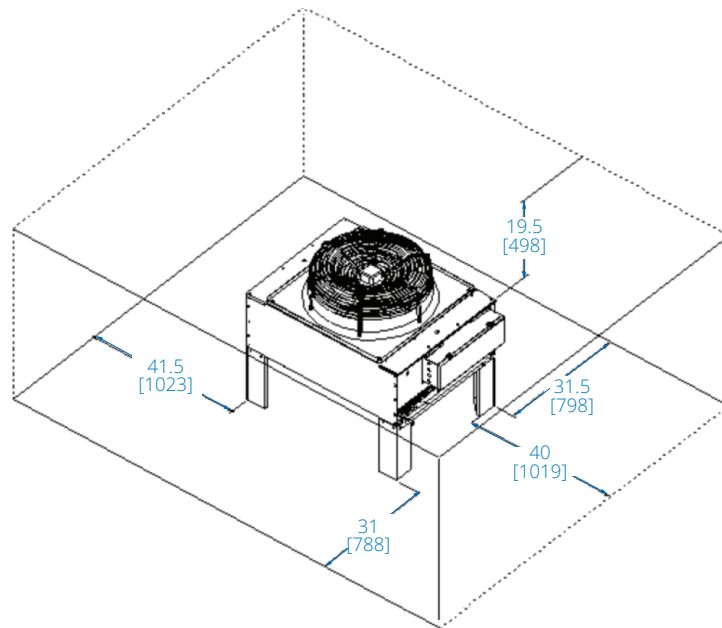
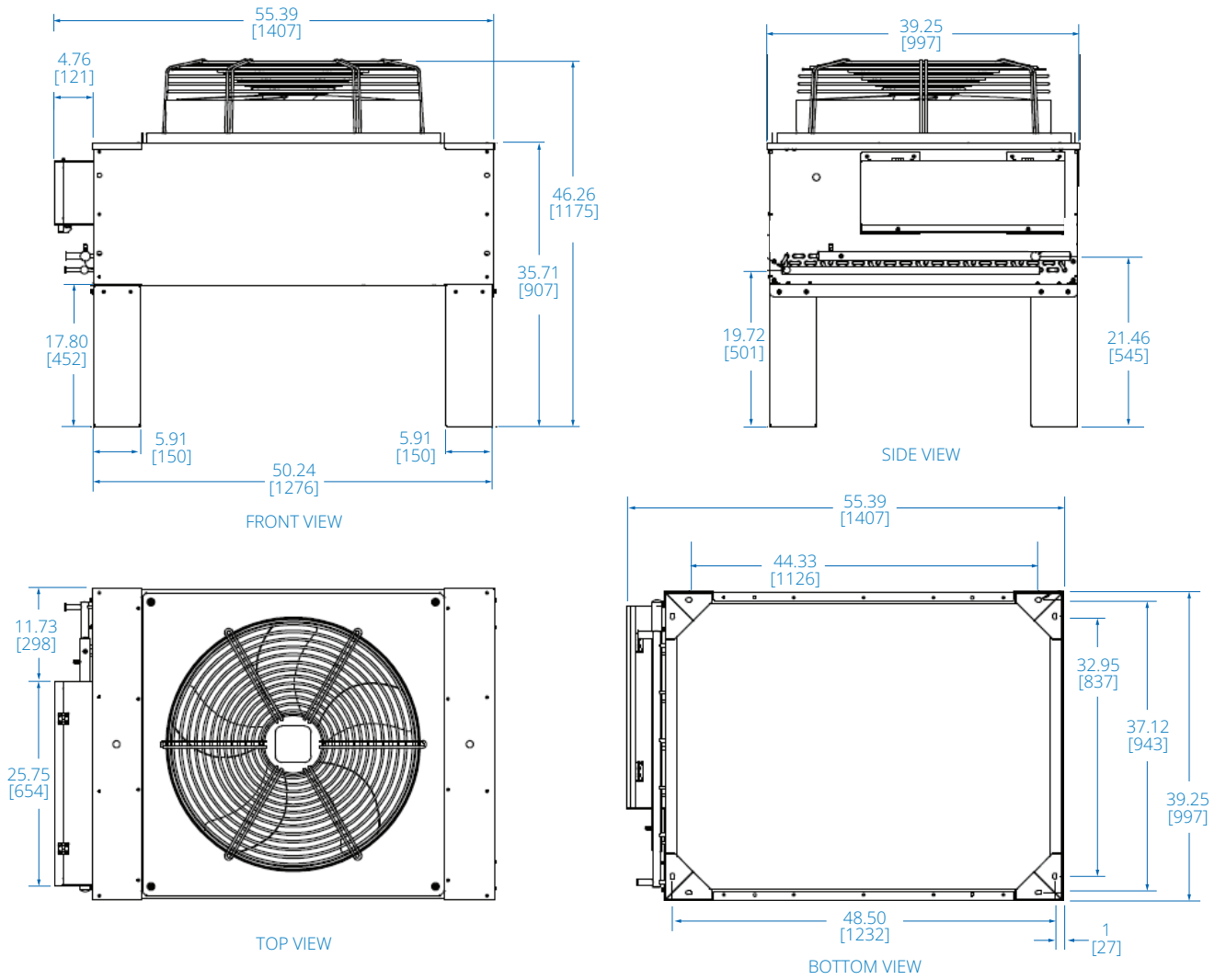
Dimensions: INCHES [mm]

Cooling Unit SRP-2R-C25-M



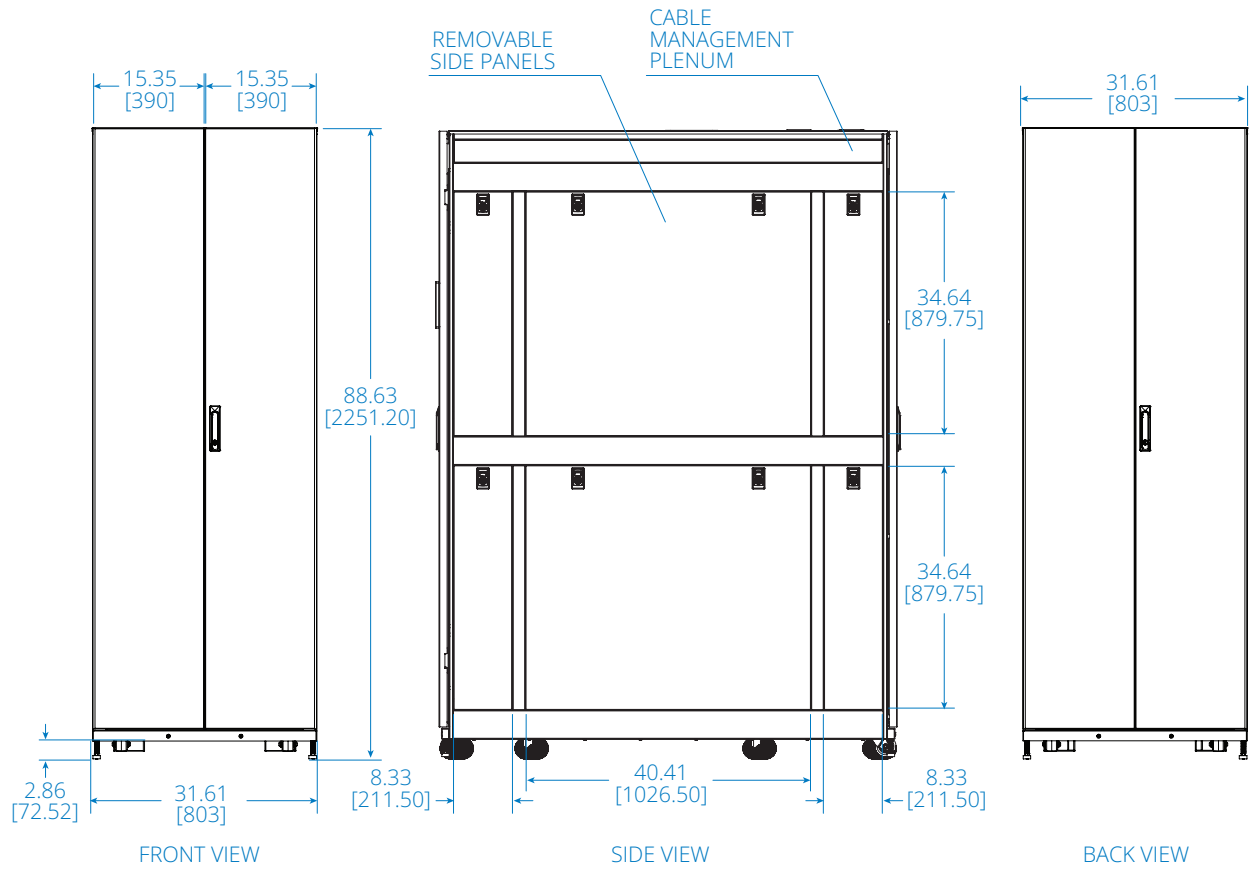
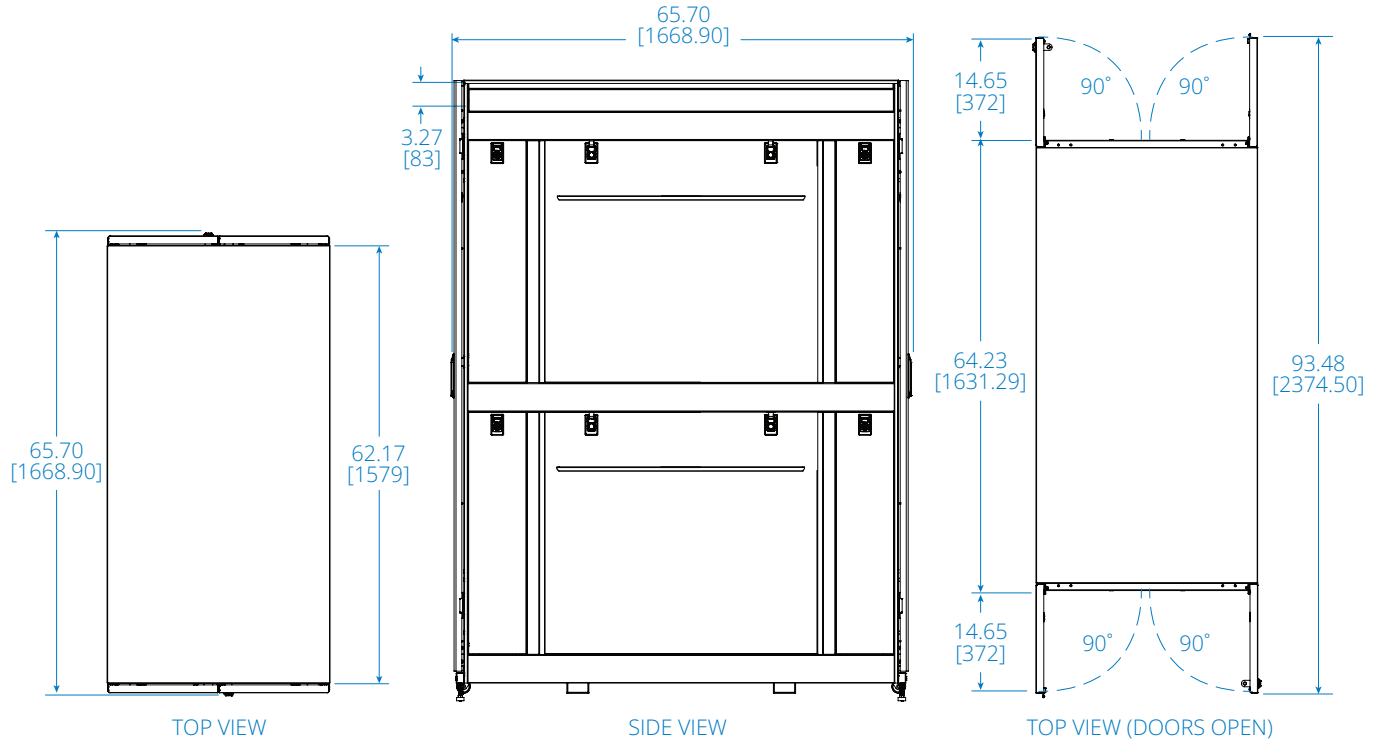
Dimensions: INCHES [mm]

Outdoor Condenser Unit SRP-2R-C25-M



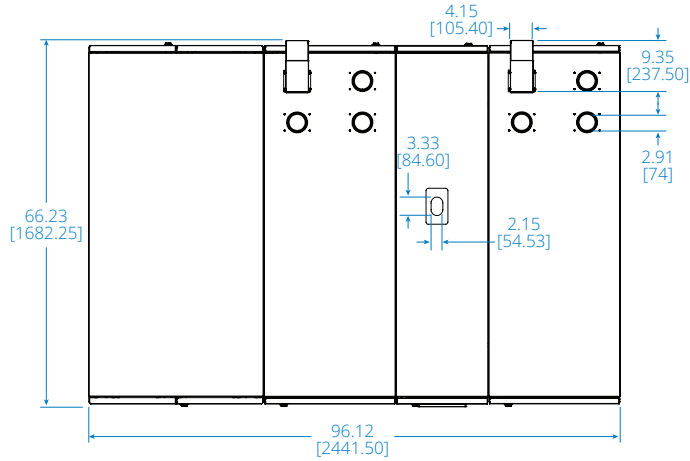
Dimensions: INCHES [mm]

Service Enclosure SRP-2R-C25-M

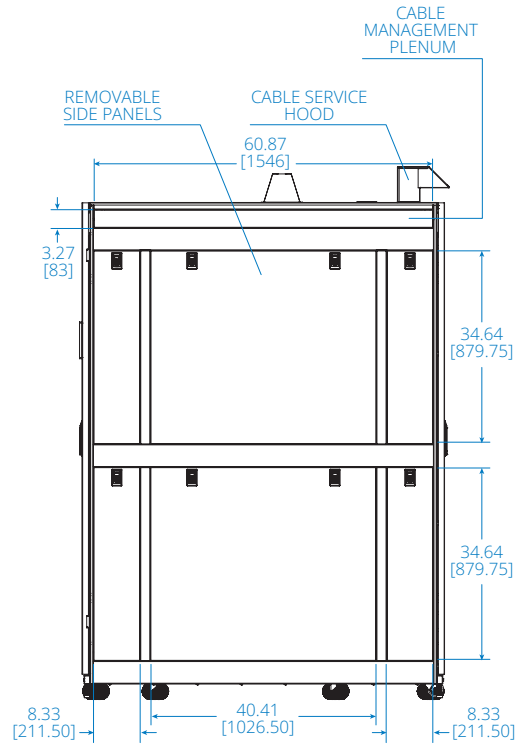


Dimensions: INCHES [mm]

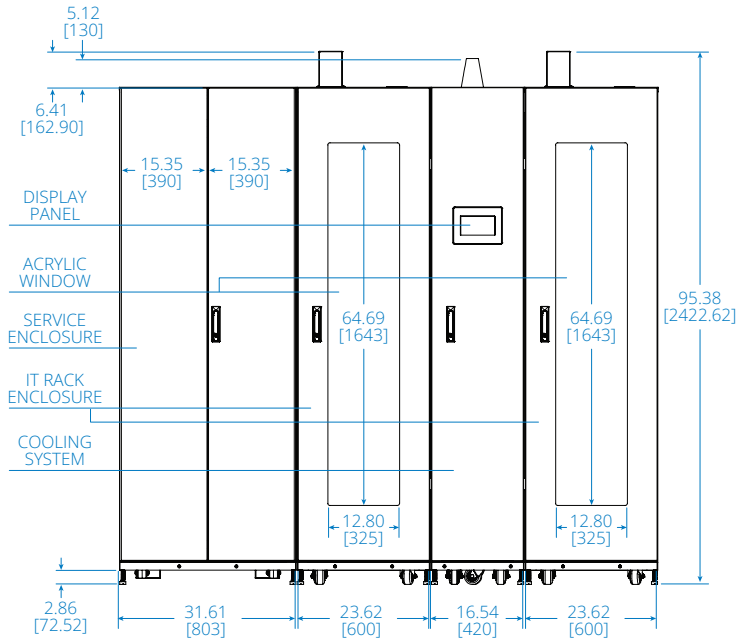
Assembled Unit SRP-2R-C25-M



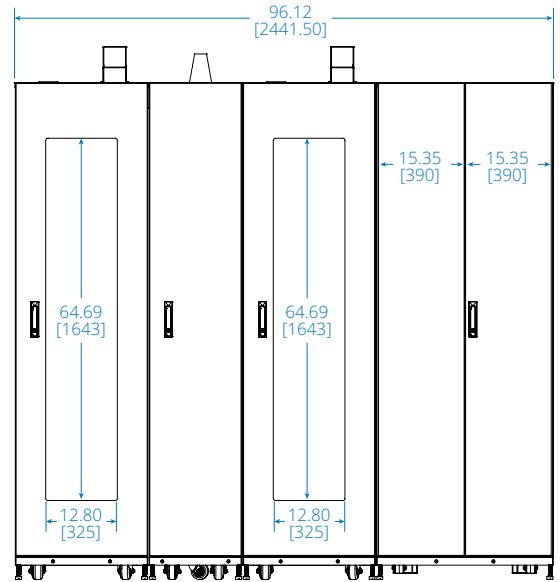
TOP VIEW



SIDE VIEW



FRONT VIEW



BACK VIEW

Dimensions: INCHES [mm]

Learn more at

[TrippLite.Eaton.com/ModularDataCenter](https://www.commodore.com/ModularDataCenter)



Powering Business Worldwide

Eaton
1000 Eaton Boulevard
Cleveland, OH 44122
United States
Eaton.com

© 2024 Eaton
All Rights Reserved
Publication No. 23-11-121
March 2024

No part of this document may be reproduced in any way without the express written approval of Eaton.

Eaton reserves the right to change specifications without prior notice. Eaton is a registered trademark of Eaton. All other trademarks are properties of their respective companies.

Follow us on social media to get the latest product and support information.

