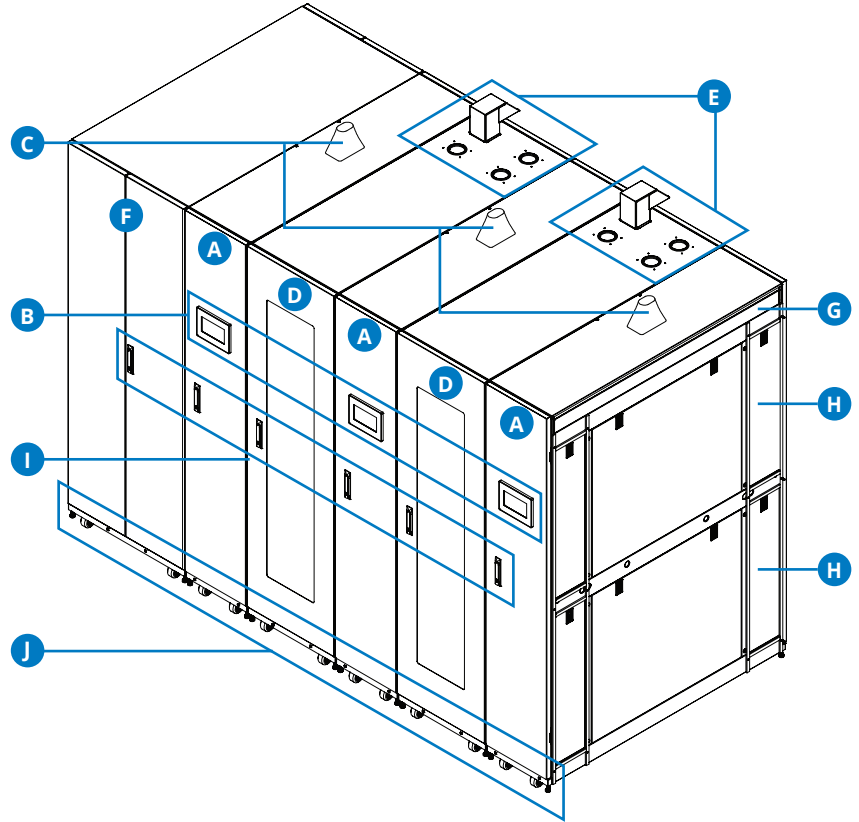


SmartRack® Modular Data Center SRP-2R-3C12-M

2 IT Rack Enclosures + 3 Cooling Enclosures + 3 12 kW Cooling Units +
1 Service Enclosure

- A** Cooling System with Enclosure and Outdoor Condenser (Not Shown)
- B** 7" Touchscreen Cooling Display
- C** Refrigerant Tubes Entry (Top or Bottom Entry)
- D** IT Rack Enclosure with Clear Acrylic Window
- E** Adjustable Cable Service Hood with 4 Cable Entry Hole Options
- F** Customizable Service Enclosure with Vented Door
- G** Cable Management Plenum
- H** Locking, Removable Side Panels
- I** Locking Handle (Security Lock Options Available)
- J** Casters and Leveling Feet



SPECIFICATIONS

| | |
|--|---|
| Configuration Type | Two-Rack |
| 44U IT Rack Enclosure Qty. | 2 |
| Individual IT Rack Enclosure Size [H x W x D] | 95 x 23.6 x 64.9 in. / 2415 x 600 x 1648 mm |
| Individual IT Rack Enclosure Weight | 570 lb. / 259 kg |
| Cooling System (kW) with Enclosure Qty. | 3 (12 kW) |
| Individual Cooling Enclosure Size [H x W x D] | 95 x 16.5 x 64.9 in. / 2415 x 420 x 1648 mm |
| Individual Cooling Enclosure Weight* | 440 lb. / 200 kg |
| Cooling System Size [H x W x D]** | 78.7 x 11.8 x 43.3 in. / 2000 x 300 x 1100 mm |
| Cooling System Weight** | 397 lb. / 180 kg |
| Medium Service Enclosure Qty. | 1 |
| Medium Service Enclosure Size [H x W x D] | 95 x 31.5 x 64.9 in. / 2415 x 800 x 1648 mm |
| Medium Service Enclosure Weight | 736 lb. / 334 kg |
| Overall Size [H x W x D] | 95 x 129.5 x 64.9 in. / 2415 x 3290 x 1648 mm |
| Overall Weight with Cooling System | 4387 lb. / 1990 kg |

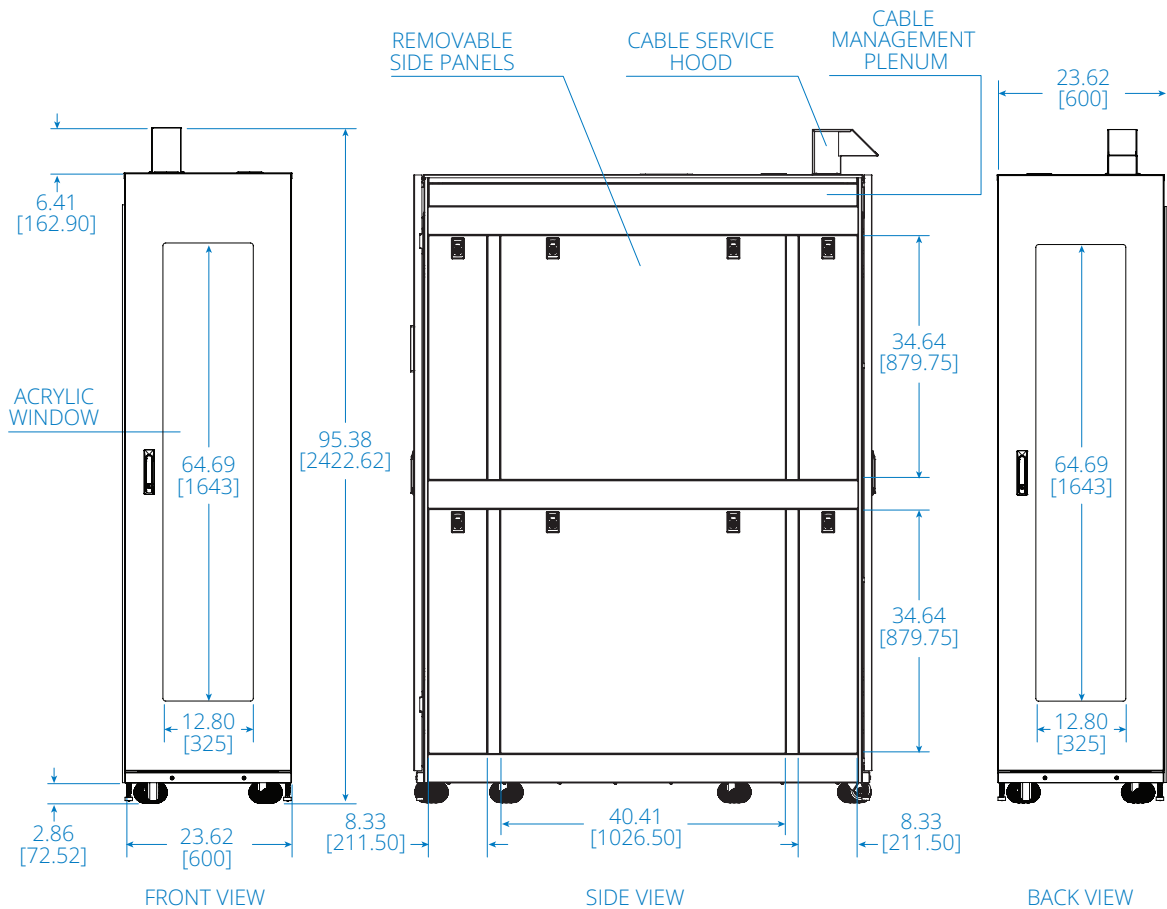
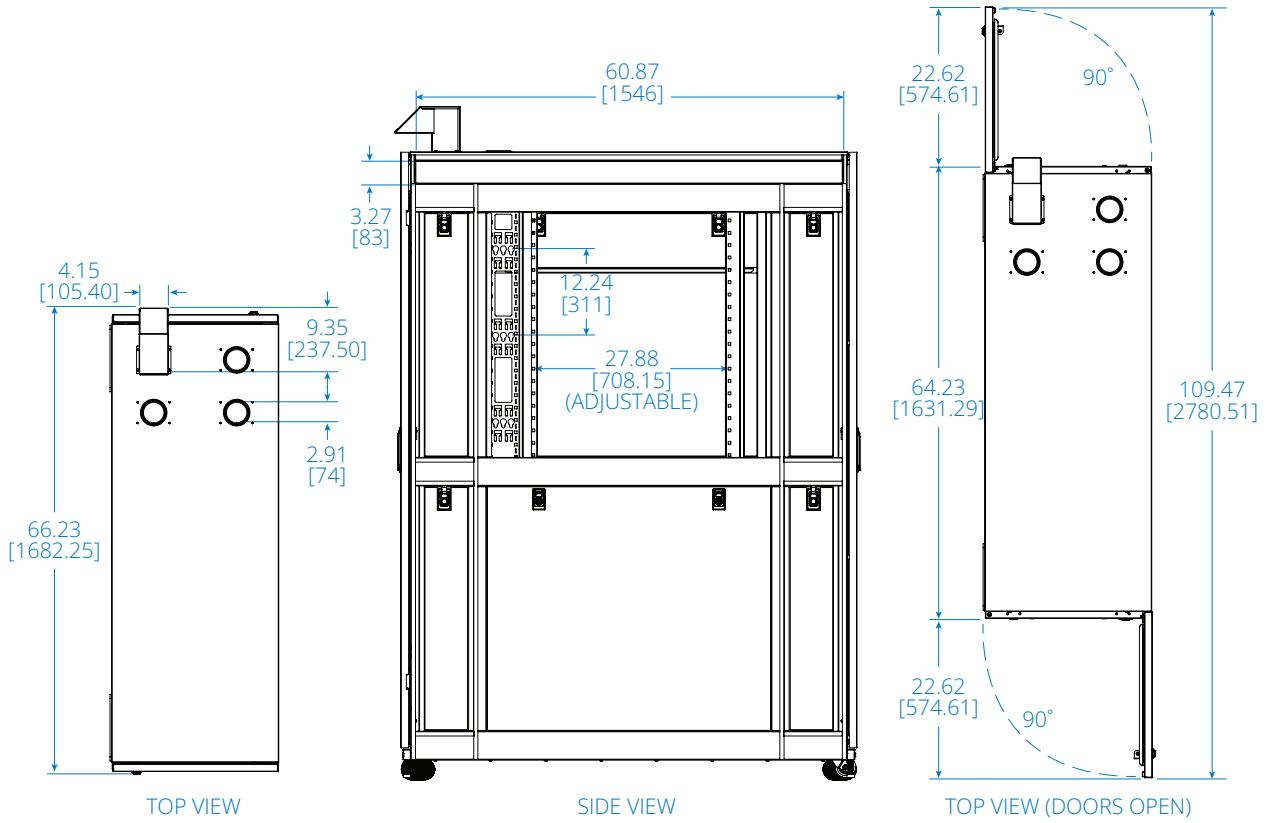
*Weight without the cooler.

**Size and weight values do not include the outdoor condenser.



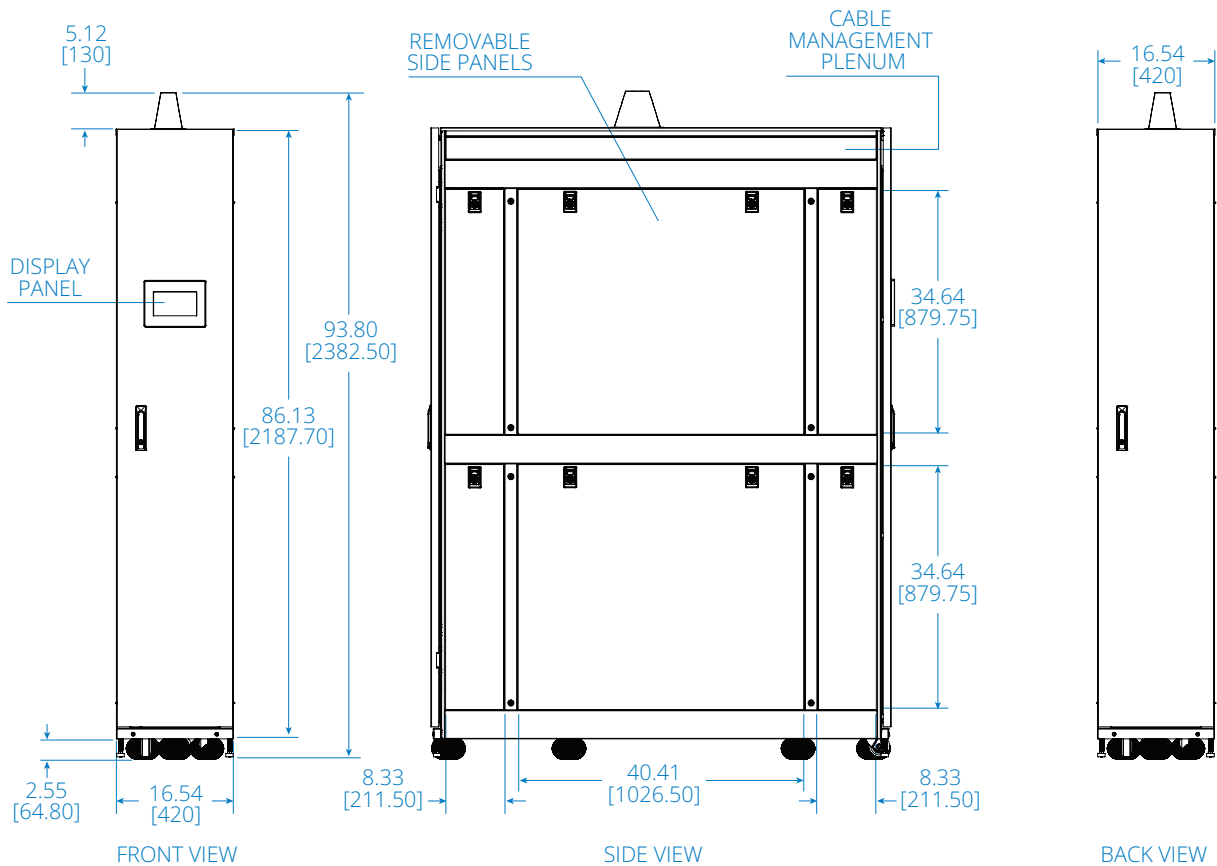
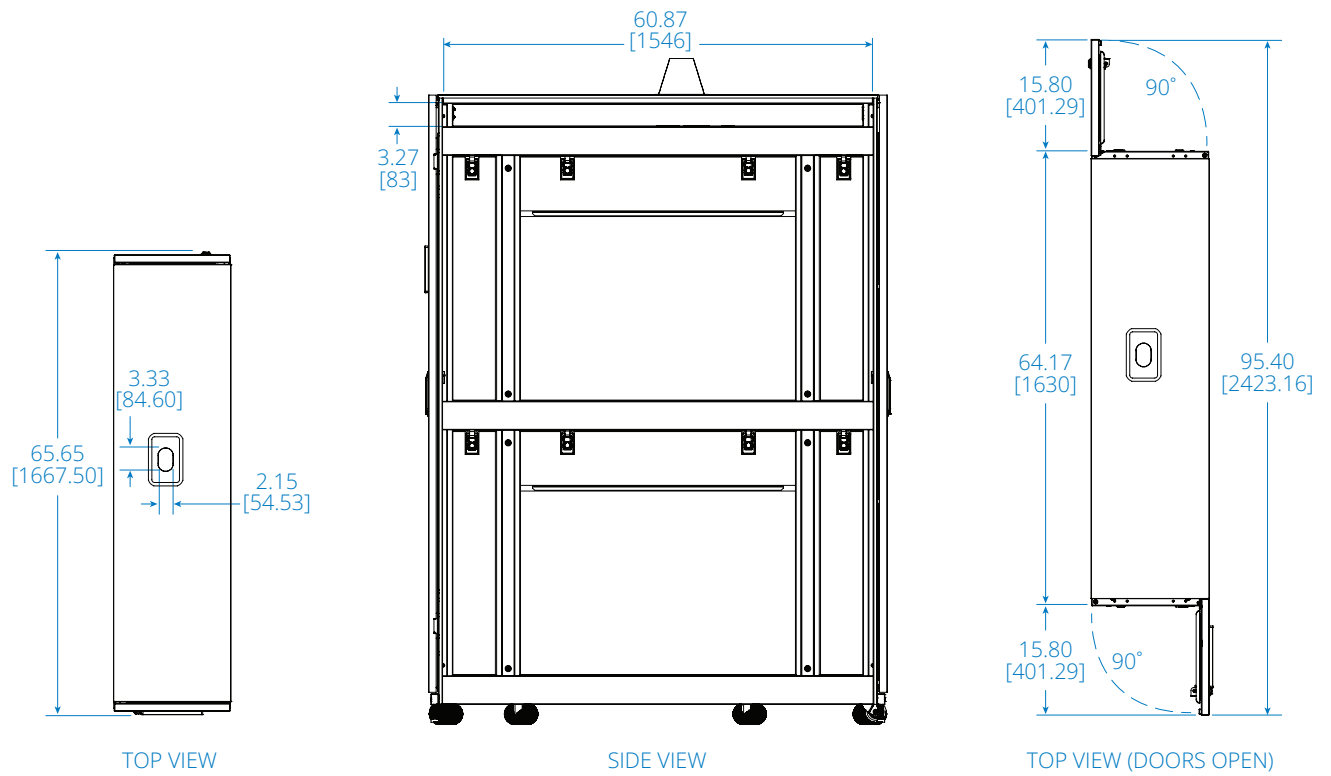
Powering Business Worldwide

IT Rack Enclosure SRP-2R-3C12-M



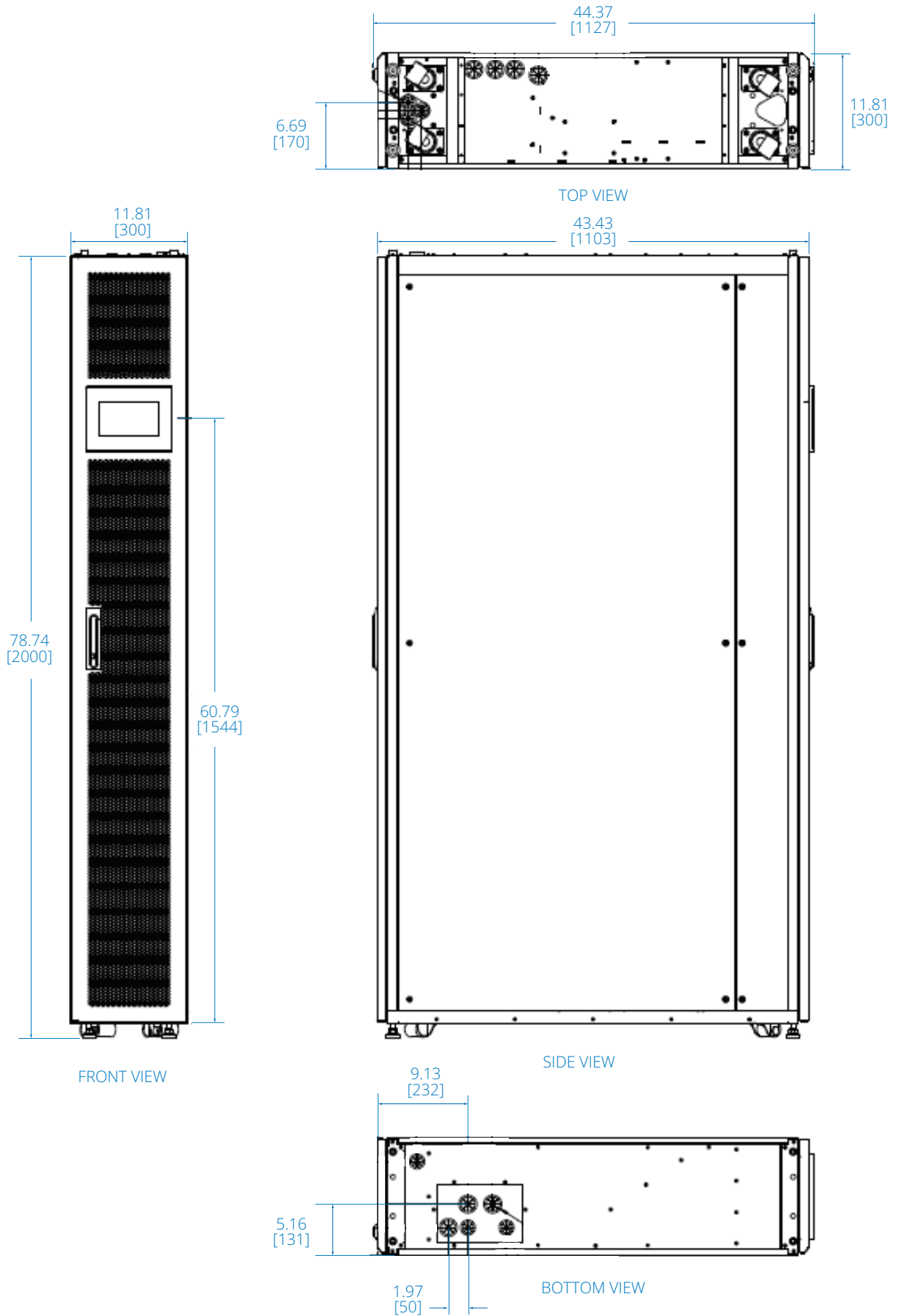
Dimensions: INCHES [mm]

Cooling Enclosure SRP-2R-3C12-M



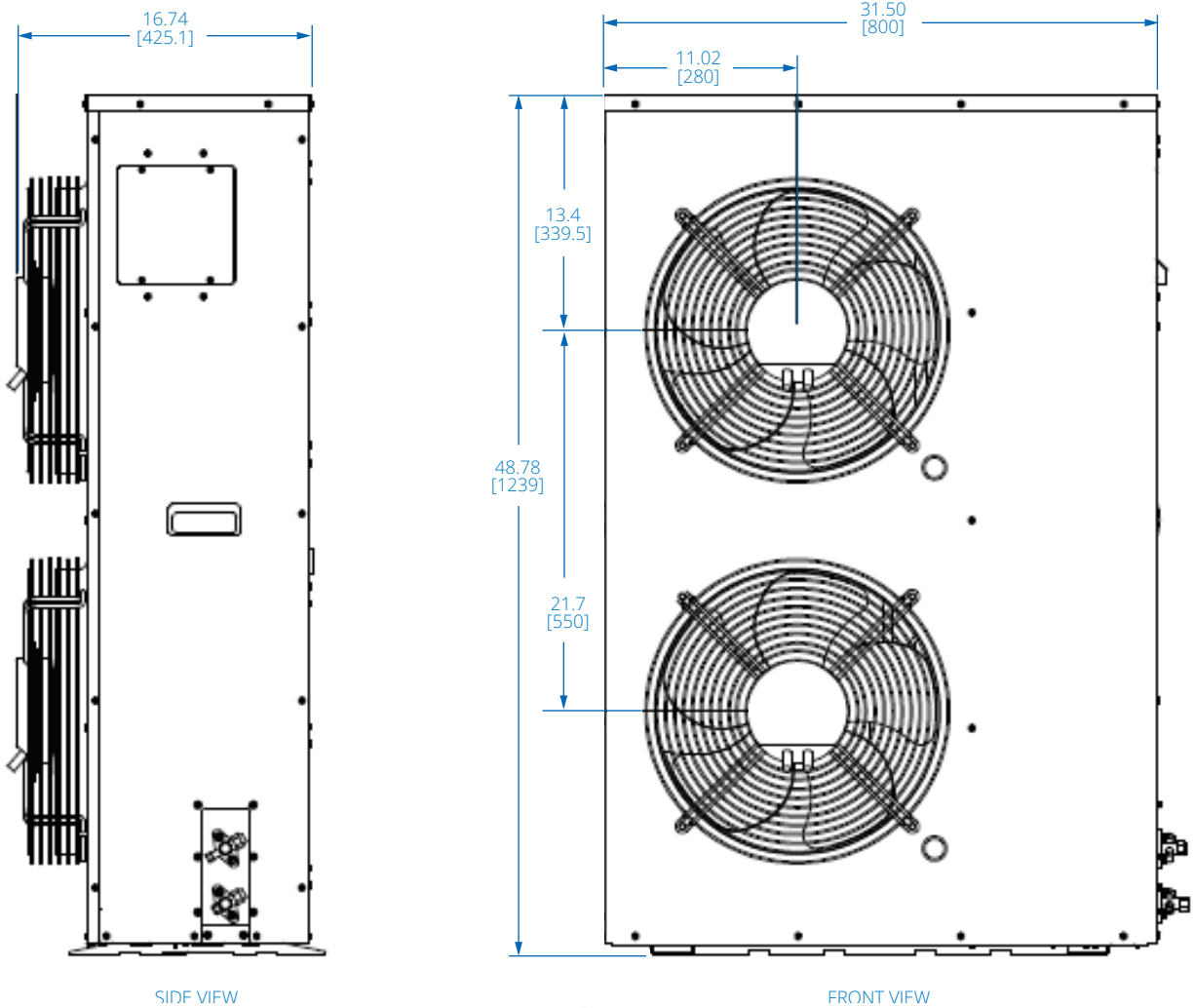
Dimensions: INCHES [mm]

Cooling Unit SRP-2R-3C12-M



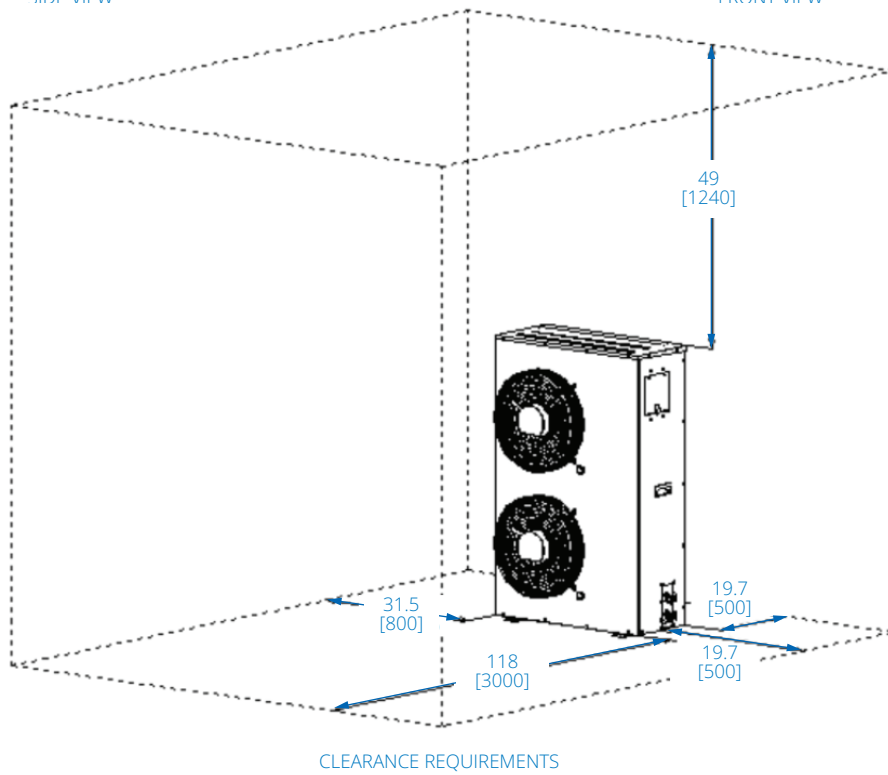
Dimensions: INCHES [mm]

Outdoor Condenser Unit SRP-2R-3C12-M



SIDE VIEW

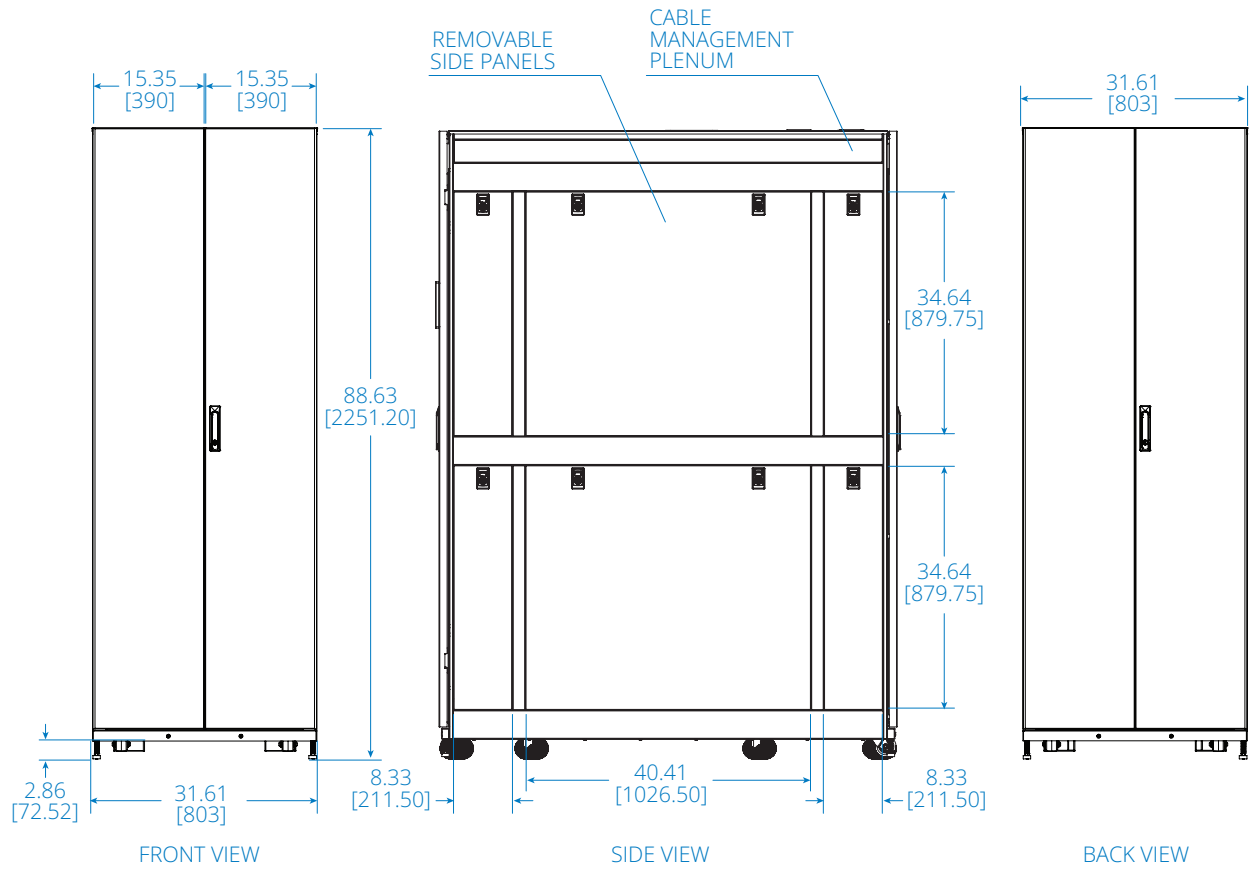
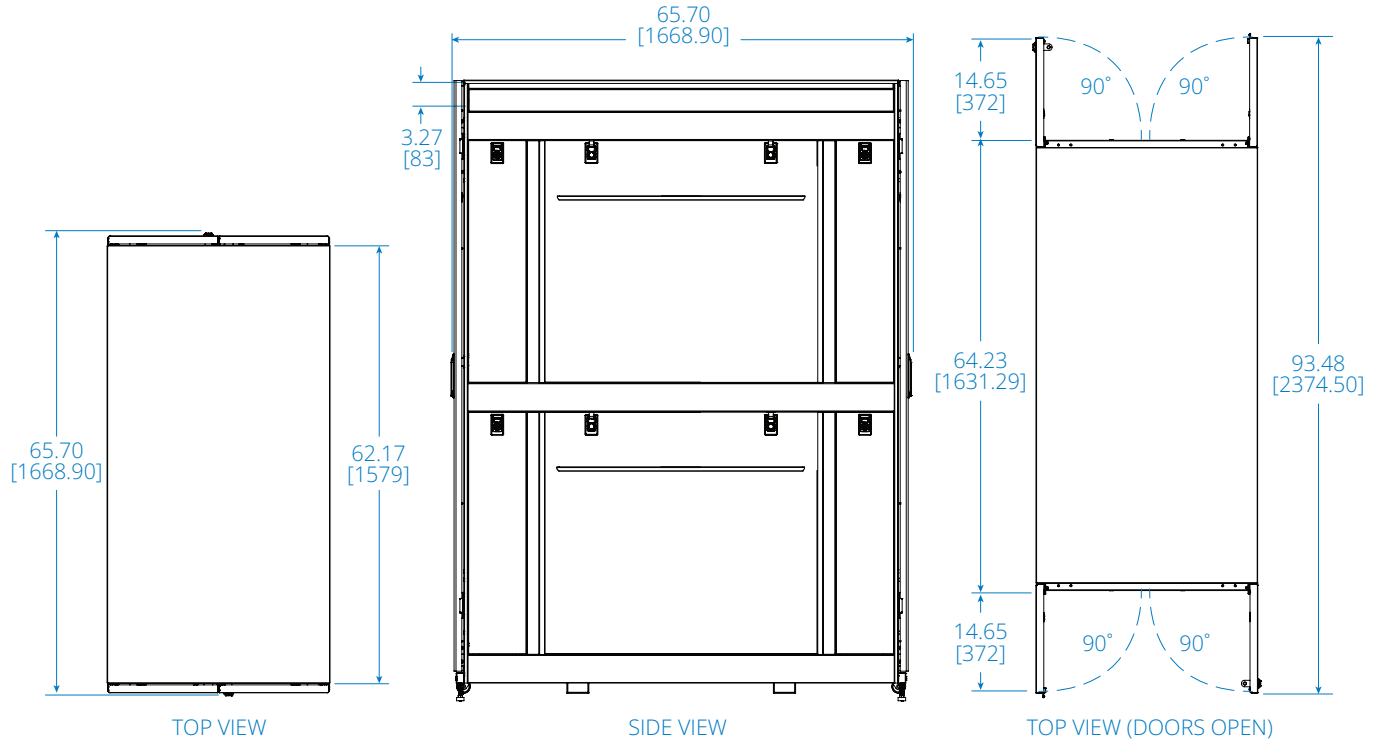
FRONT VIEW



CLEARANCE REQUIREMENTS

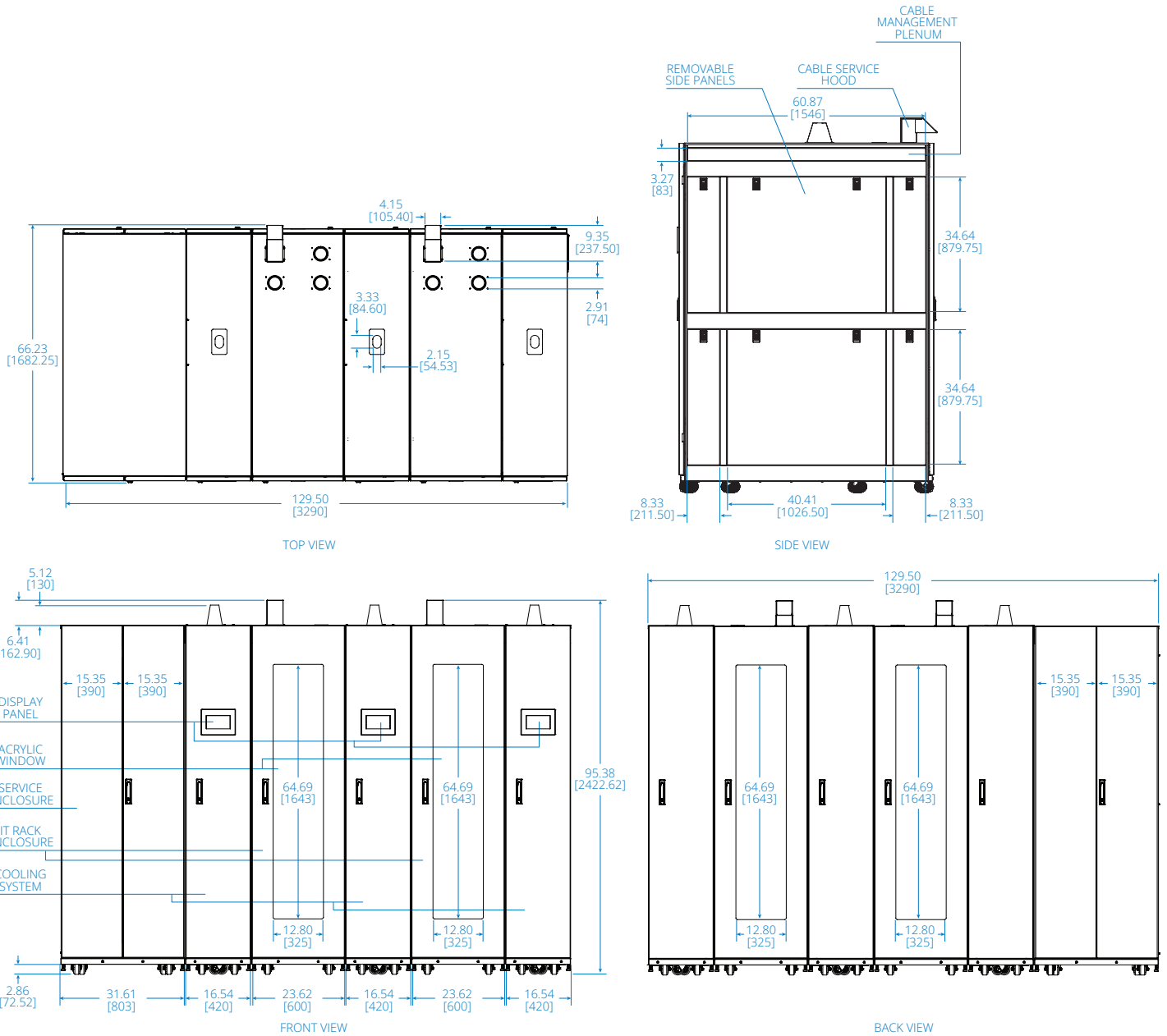
Dimensions: INCHES [mm]

Service Enclosure SRP-2R-3C12-M



Dimensions: INCHES [mm]

Assembled Unit SRP-2R-3C12-M



Dimensions: INCHES [mm]

Learn more at
[TrippLite.Eaton.com/ModularDataCenter](https://www.commodore.com/ModularDataCenter)



Eaton
 1000 Eaton Boulevard
 Cleveland, OH 44122
 United States
 Eaton.com
 © 2024 Eaton
 All Rights Reserved
 Publication No. 23-11-123
 March 2024

No part of this document may be reproduced in any way without the express written approval of Eaton.

Eaton reserves the right to change specifications without prior notice. Eaton is a registered trademark of Eaton. All other trademarks are properties of their respective companies.

Follow us on social media to get the latest product and support information.

