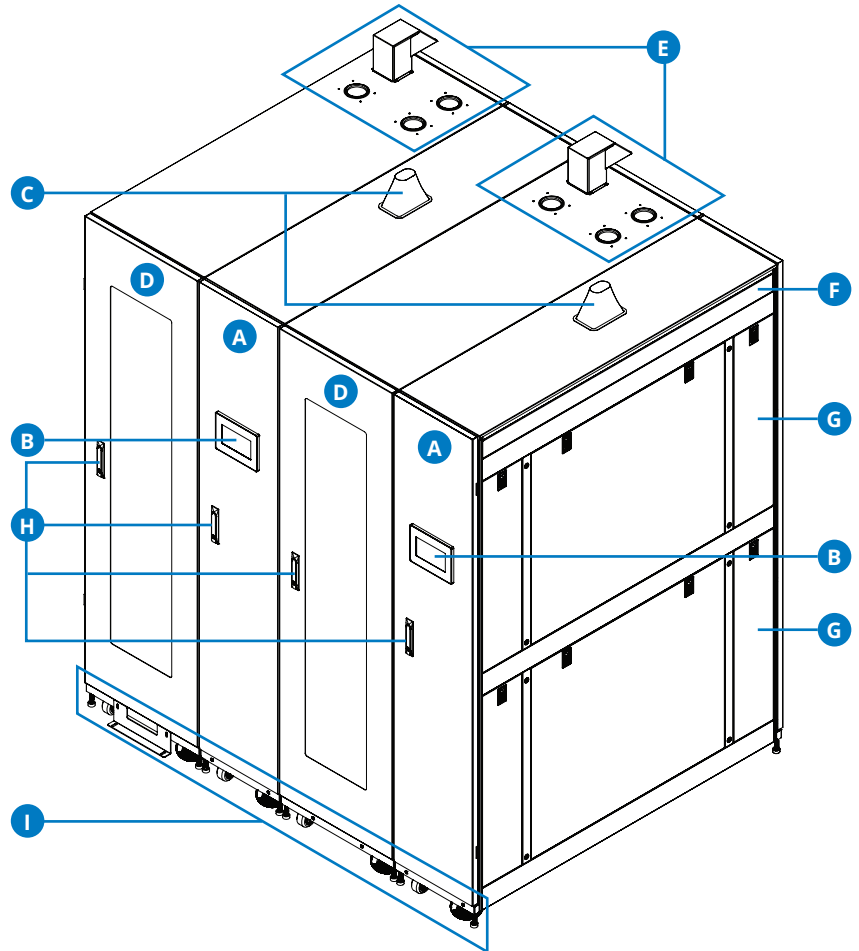


SmartRack® Modular Data Center SRP-2R-2C12

2 IT Rack Enclosures + 2 Cooling Enclosures + 2 12 kW Cooling Units

- A** Cooling System with Enclosure and Outdoor Condenser (Not Shown)
- B** 7" Touchscreen Cooling Display
- C** Refrigerant Tubes Entry (Top or Bottom Entry)
- D** IT Rack Enclosure with Clear Acrylic Window
- E** Adjustable Cable Service Hood with 4 Cable Entry Hole Options
- F** Cable Management Plenum
- G** Locking, Removable Side Panels
- H** Locking Handle (Security Lock Options Available)
- I** Casters and Leveling Feet



SPECIFICATIONS

Configuration Type	Two-Rack
44U IT Rack Enclosure Qty.	2
Individual IT Rack Enclosure Size [H x W x D]	95 x 23.6 x 64.9 in. / 2415 x 600 x 1648 mm
Individual IT Rack Enclosure Weight [H x W x D]	570 lb. / 259 kg
Cooling System (kW) with Enclosure Qty.	2 (12 kW)
Individual Cooling Enclosure Size [H x W x D]	95 x 16.5 x 64.9 in. / 2415 x 420 x 1648 mm
Individual Cooling Enclosure Weight*	440 lb. / 200 kg
Cooling System Size**	78.7 x 11.8 x 43.3 in. / 2000 x 300 x 1100 mm
Cooling System Weight**	397 lb. / 180 kg
Overall Size [H x W x D]	95 x 81 x 64.9 in. / 2415 x 2068 x 1648 mm
Overall Weight with Cooling System	2814 lb. / 1276 kg

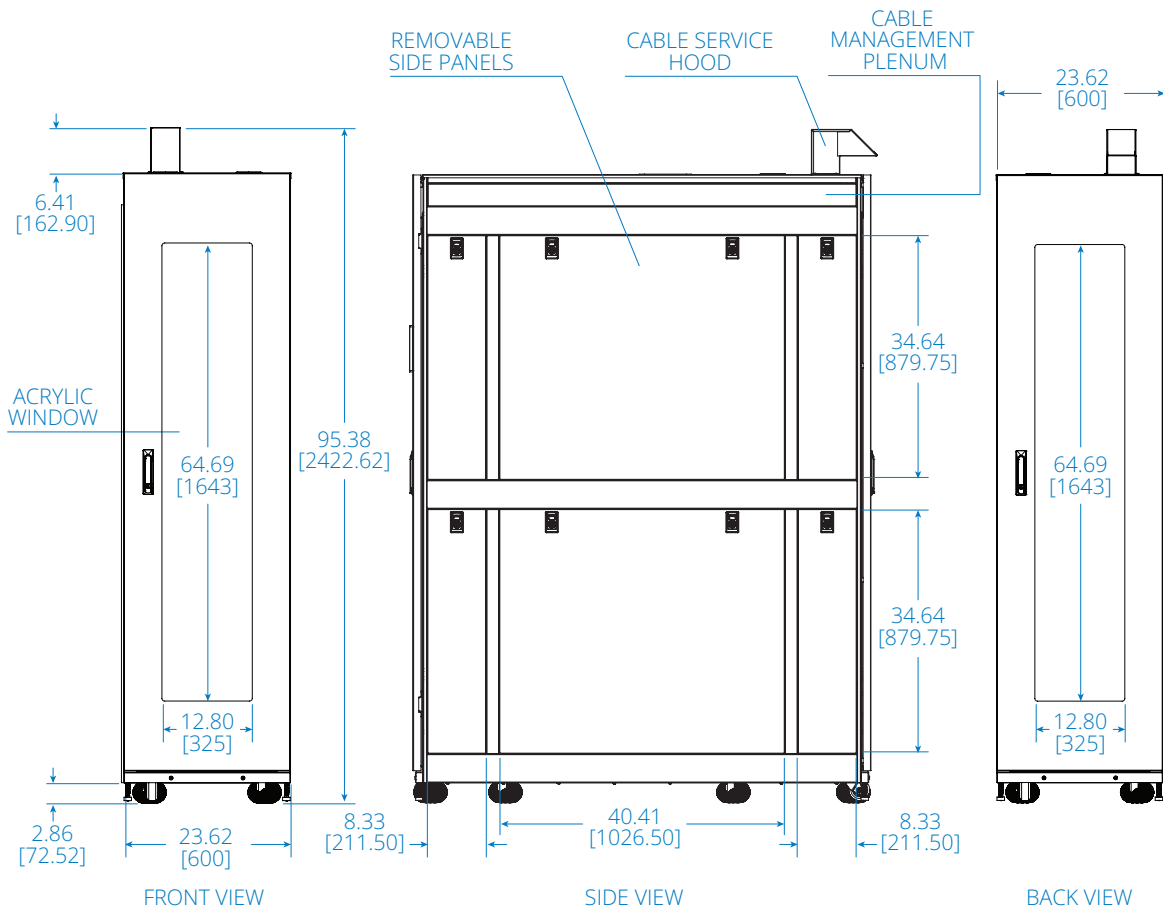
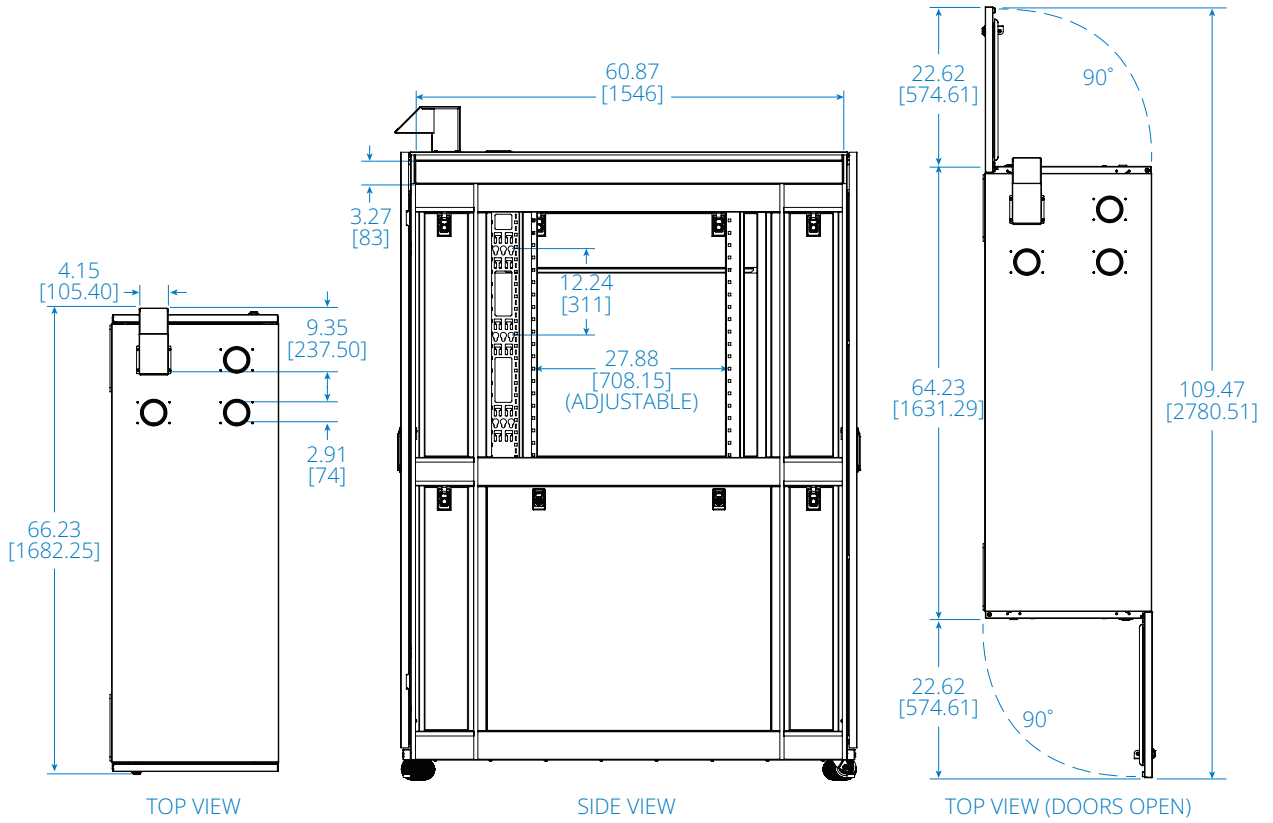
*Weight without the cooler.

**Size and weight values do not include the outdoor condenser.



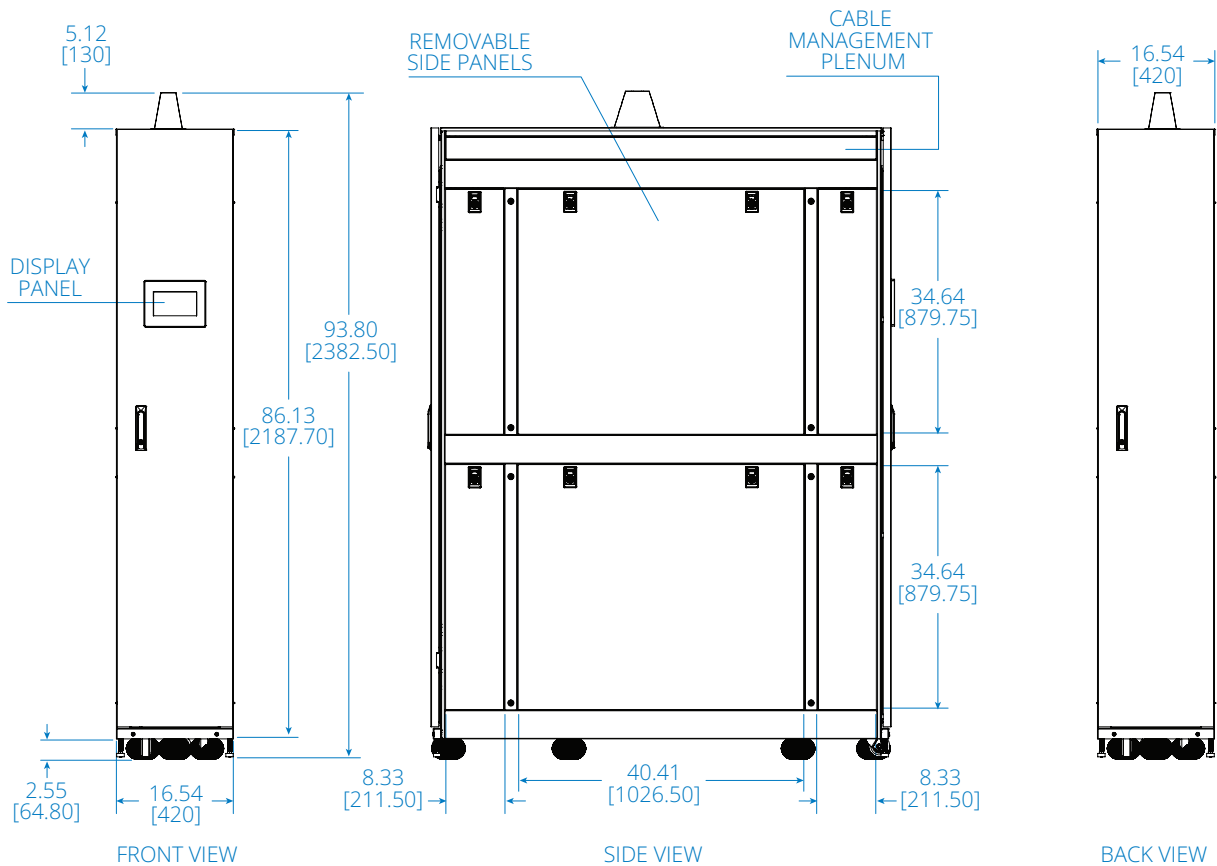
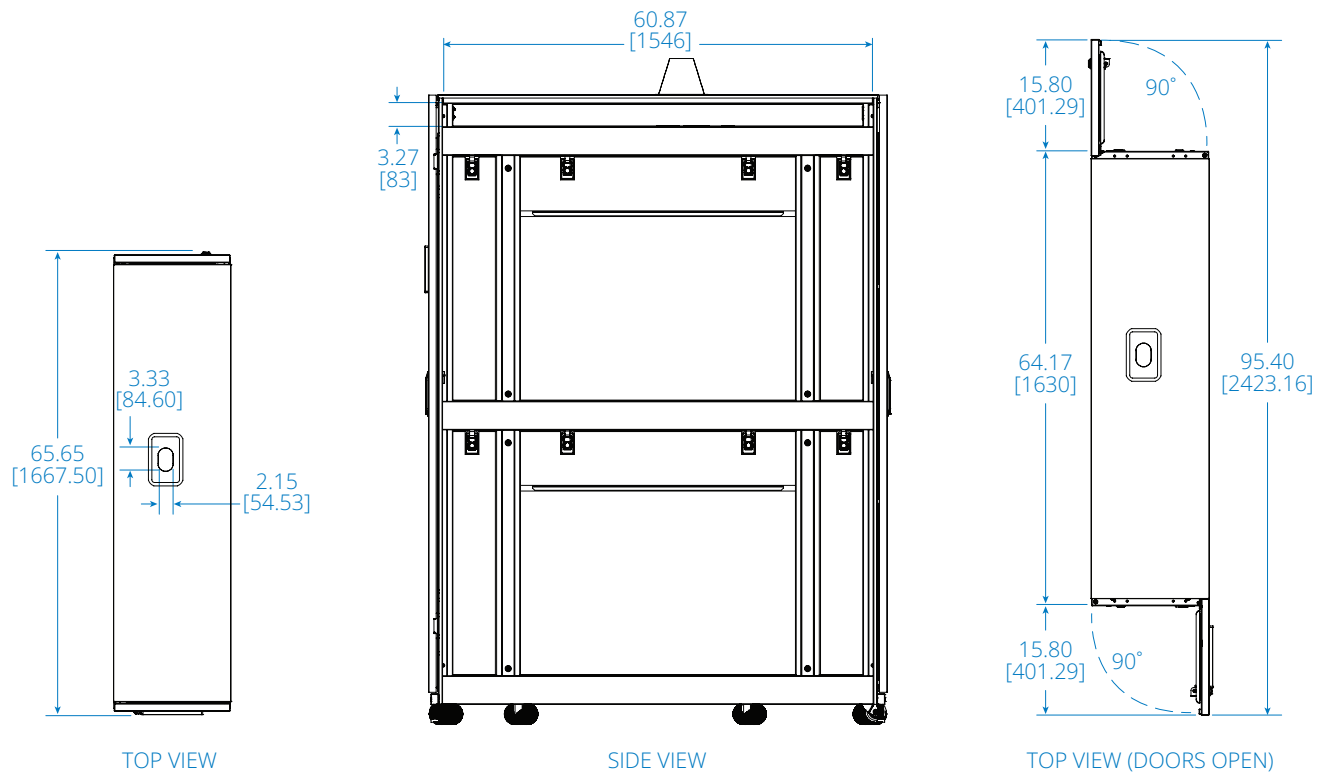
Powering Business Worldwide

IT Rack Enclosure SRP-2R-2C12



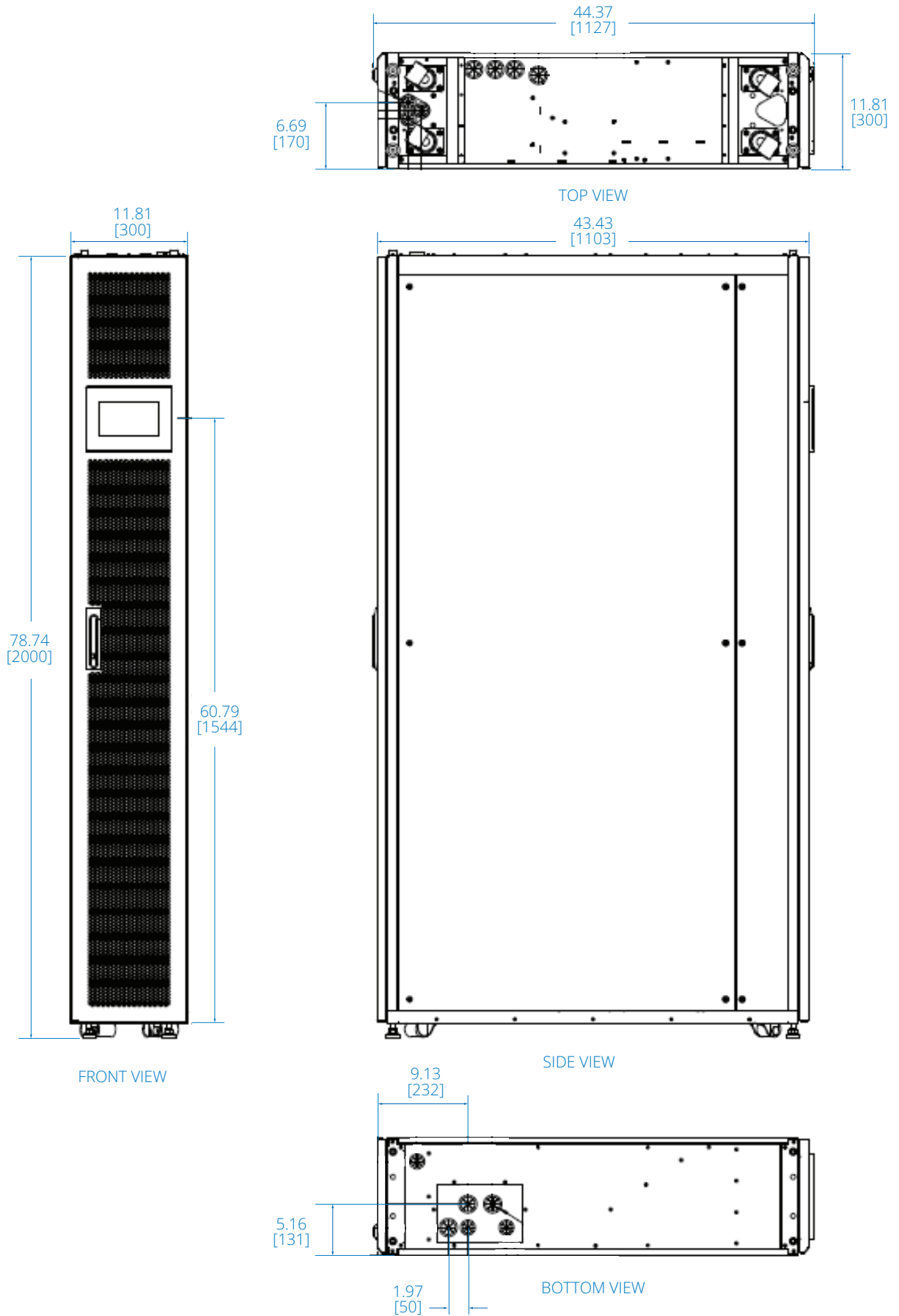
Dimensions: INCHES [mm]

Cooling Enclosure SRP-2R-2C12



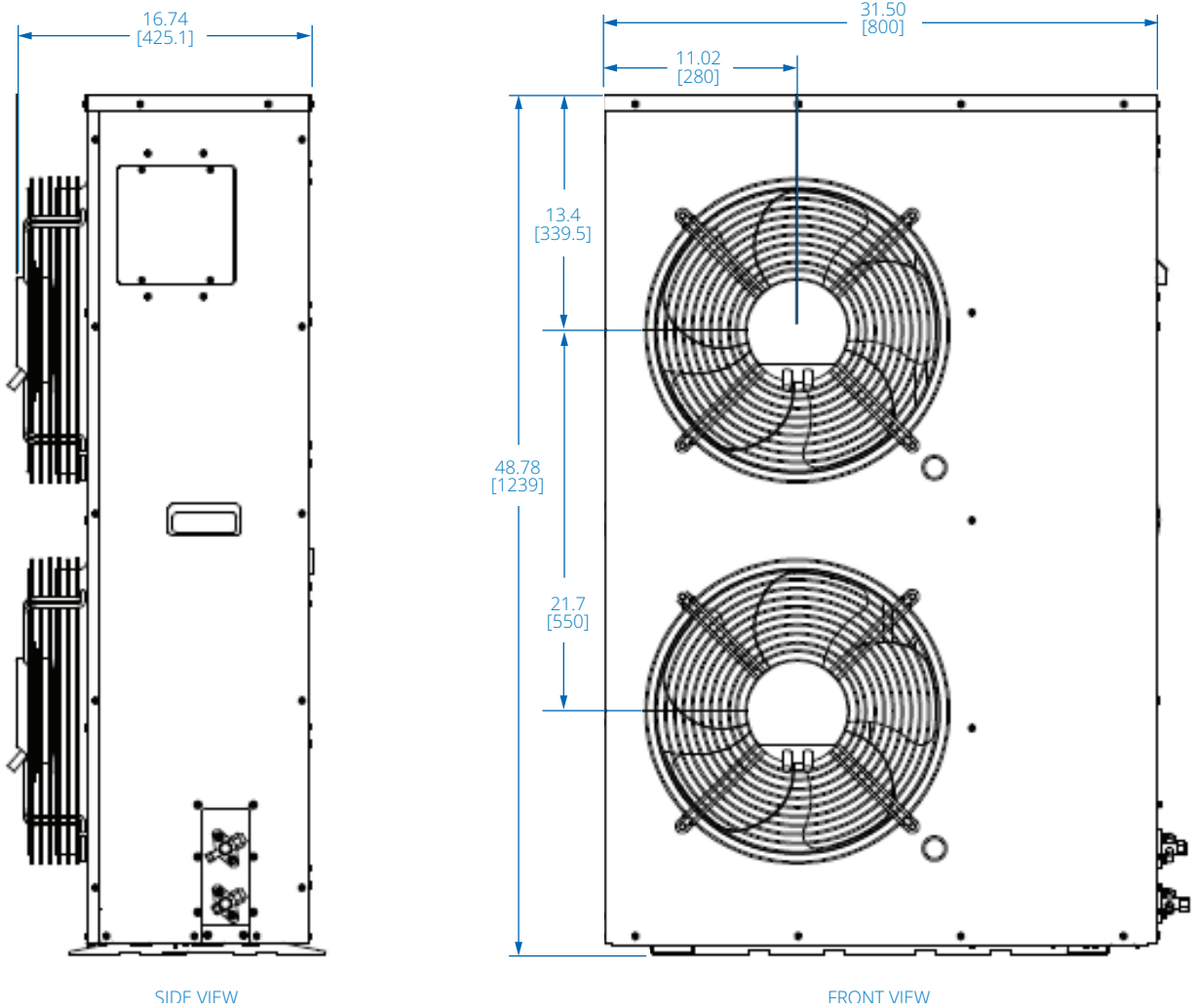
Dimensions: INCHES [mm]

Cooling Unit SRP-2R-2C12



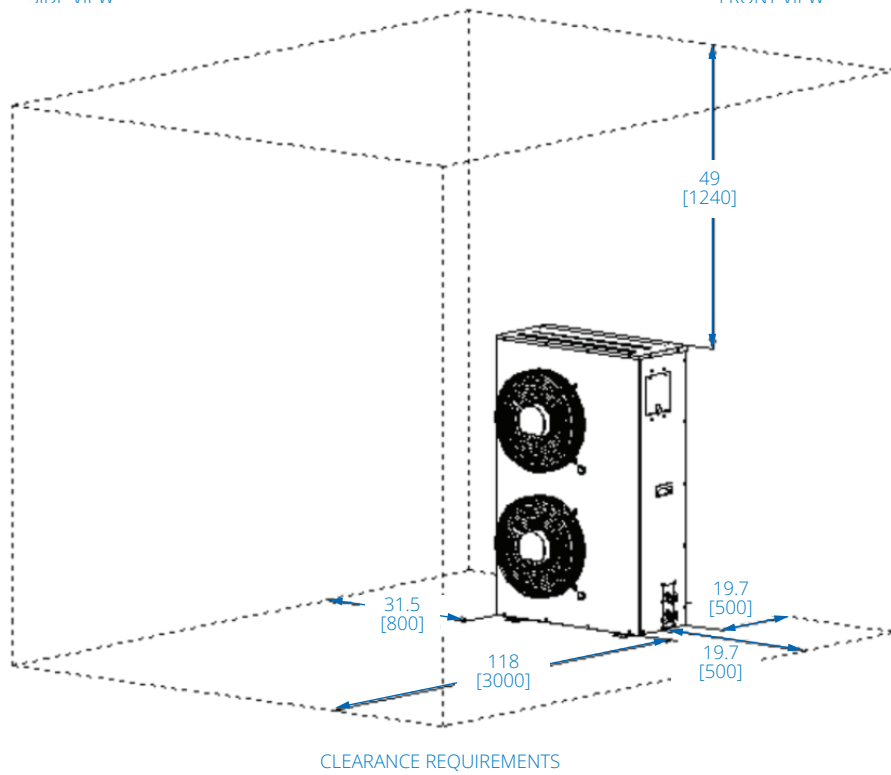
Dimensions: INCHES [mm]

Outdoor Condenser Unit SRP-2R-2C12



SIDE VIEW

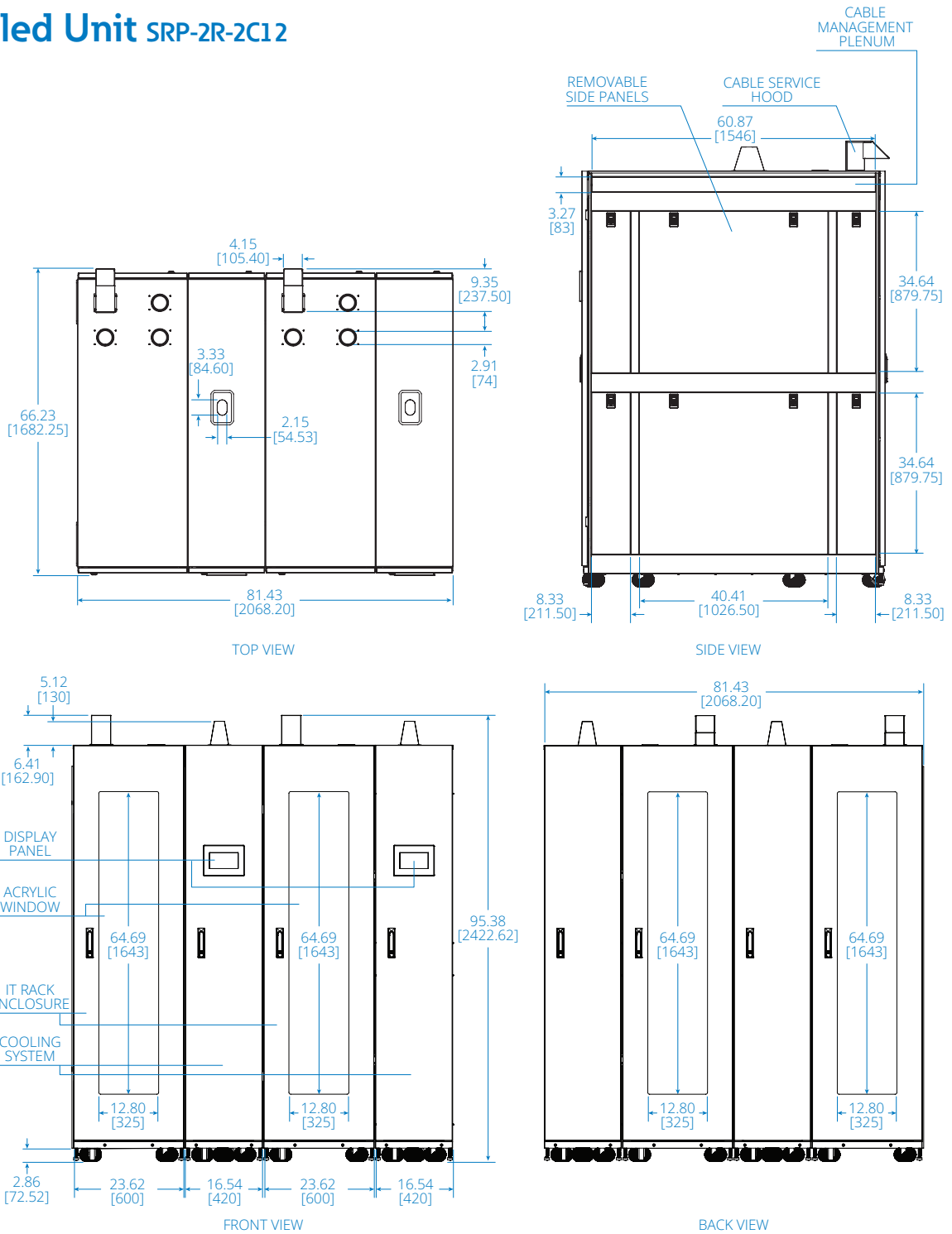
FRONT VIEW



CLEARANCE REQUIREMENTS

Dimensions: INCHES [mm]

Assembled Unit SRP-2R-2C12



Dimensions: INCHES [mm]

Learn more at
[TrippLite.Eaton.com/ModularDataCenter](https://www.commodatacenter.com/ModularDataCenter)



Eaton
 1000 Eaton Boulevard
 Cleveland, OH 44122
 United States
 Eaton.com

© 2024 Eaton
 All Rights Reserved
 Publication No. 23-11-120
 March 2024

No part of this document may be reproduced in any way without the express written approval of Eaton.

Eaton reserves the right to change specifications without prior notice. Eaton is a registered trademark of Eaton. All other trademarks are properties of their respective companies.

Follow us on social media to get the latest product and support information.

