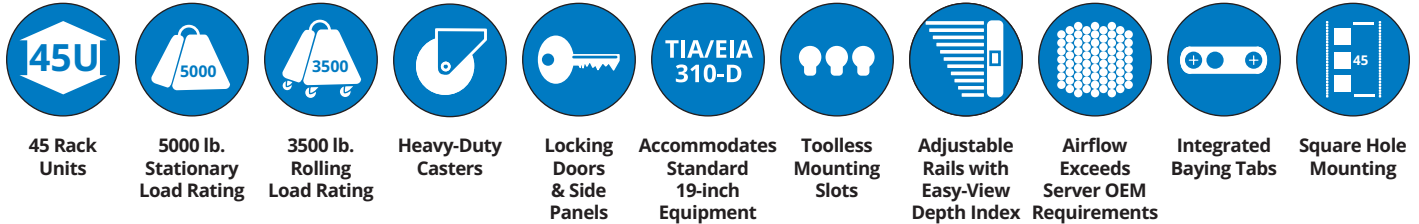
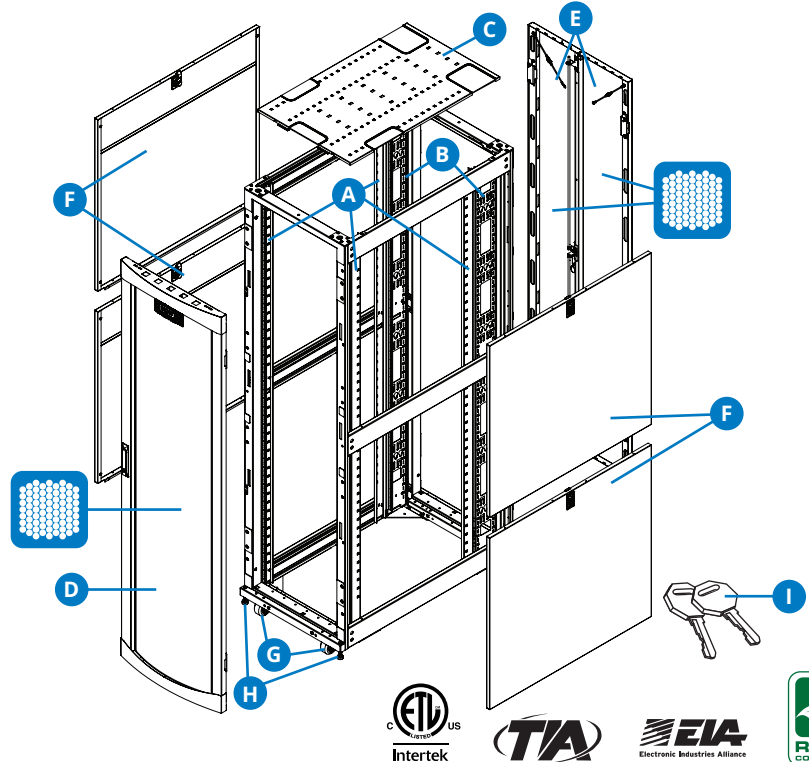


SmartRack 45U Standard-Width Heavy-Duty Rack Enclosure Cabinet, White (SRH45UW)



- A Adjustable Mounting Rails**
- B Adjustable PDU Mounting Rails with Toolless Mounting Slots**
- C Roof Panel** (Removable)
- D Front Door** (Lockable/Removable/Reversible)
- E Split Rear Doors** (Lockable/Removable)
- F Side Panels** (Lockable/Removable)
- G Heavy-Duty Casters**
- H Heavy-Duty Levelers**
- I Keys** (For doors and side panels)



Also Includes: Owner's manual, 2 stabilizing brackets and rackmount equipment mounting hardware (50 cage nuts, 50 mounting screws, 50 nylon cup washers)



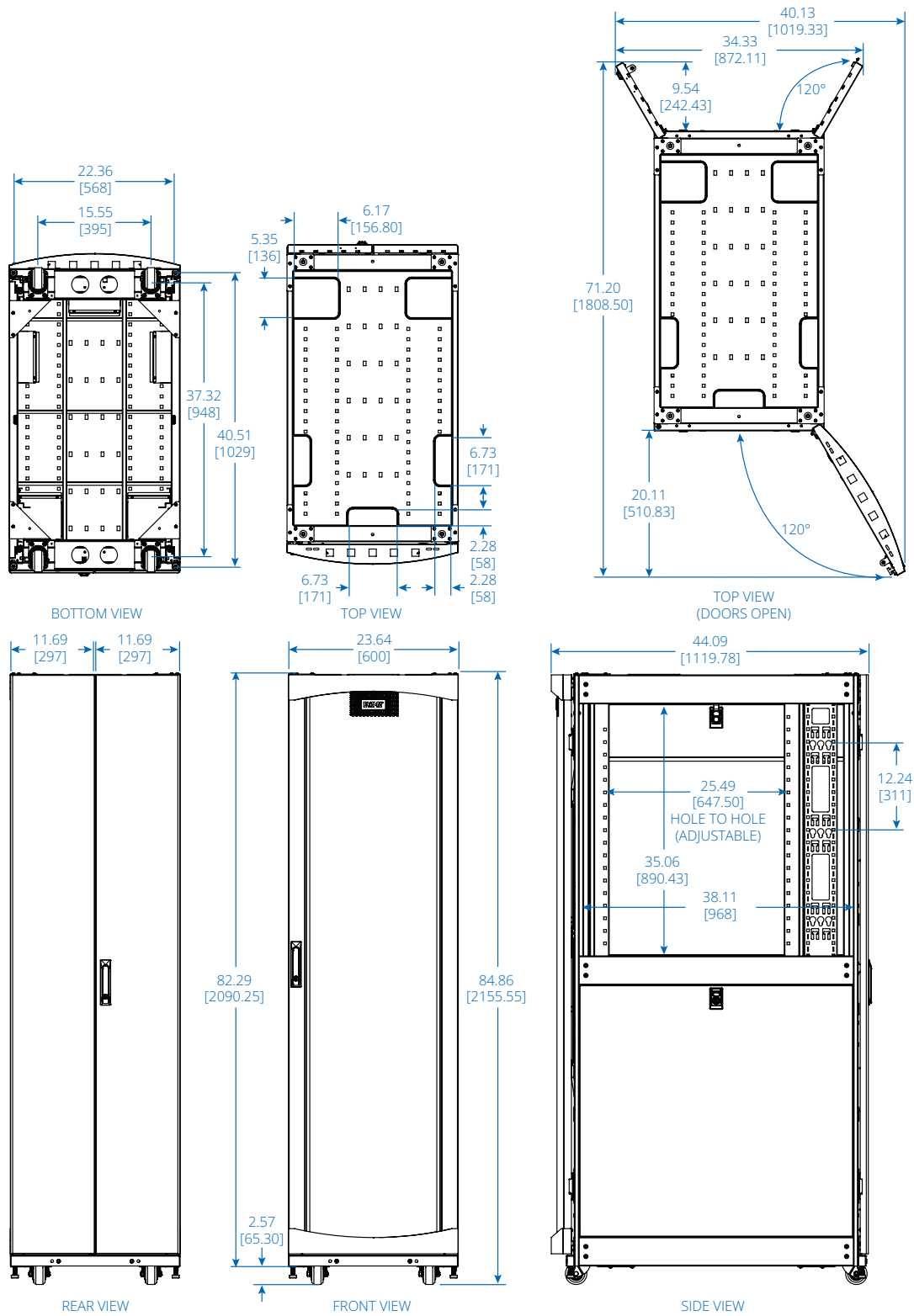
SPECIFICATIONS

Model	SRH45UW
Rack Spaces	45U
Stationary Load Rating	5000 lb. / 2268 kg
Rolling Load Rating	3500 lb. / 1588 kg
Unit Dimensions [H x W x D]	84.86 x 23.64 x 44.09 in. / 2155.55 x 600 x 1119.78 mm
Shipping Dimensions [H x W x D]	90.5 x 26 x 45 in. / 2299 x 660 x 1143 mm
Unit Weight	457 lb. / 207.3 kg
Certifications	UL 2416, CSA C22.2 No 62368-1, IEC 60297-3-100, DIN 41494, IP20, TIA/EIA-310-D (Accommodates all standard 19-inch rackmount equipment regardless of vendor.)

Part numbers and specifications are subject to change.



Powering Business Worldwide



Dimensions: INCHES [mm]

Learn more at [Tripplite.Eaton.com](https://www.Tripplite.Eaton.com)



Powering Business Worldwide

Eaton
 1000 Eaton Boulevard
 Cleveland, OH 44122
 United States
 Eaton.com

© 2024 Eaton
 All Rights Reserved
 Publication No. 24-06-031
 September 2024

No part of this document may be reproduced in any way without the express written approval of Eaton.

Eaton reserves the right to change specifications without prior notice. Eaton is a registered trademark of Eaton. All other trademarks are properties of their respective companies.

Follow us on social media to get the latest product and support information.

