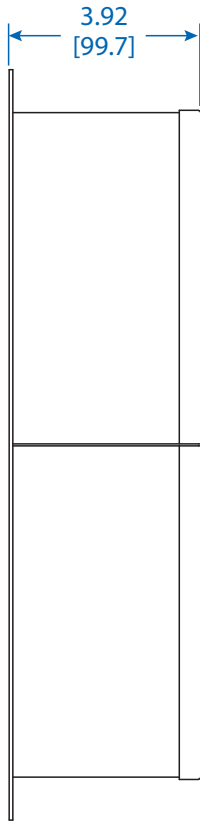


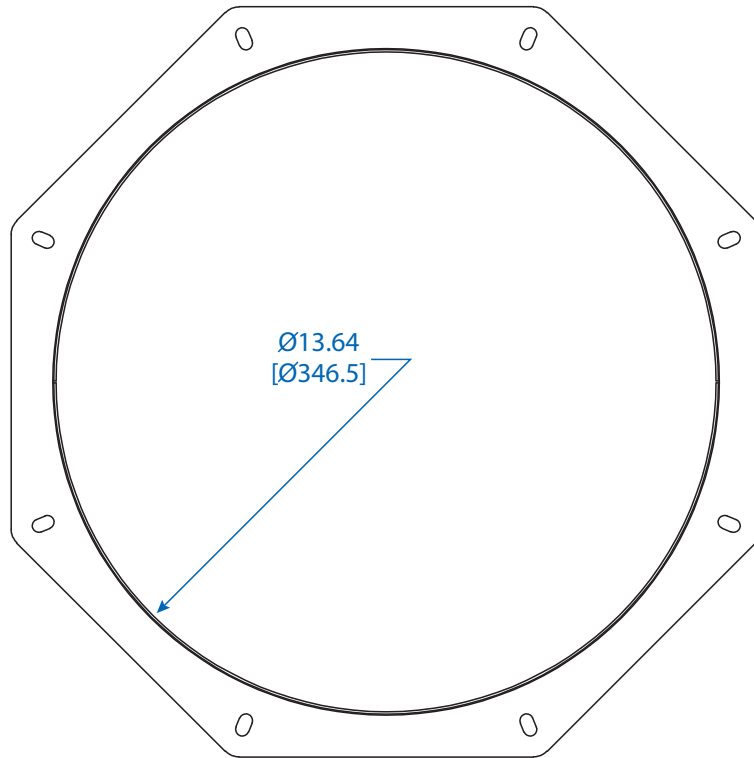
MODEL:

# SRCOOLTPDUCT

## SmartRack® Top-of-Rack Hot Air Conditioning System Exhaust Duct Kit



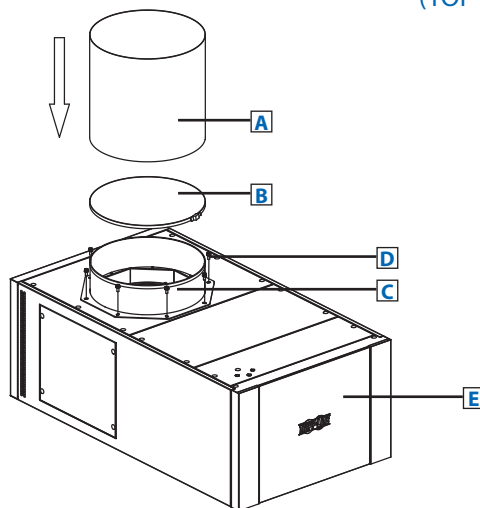
SHEET METAL AIR CLAMP  
(SIDE VIEW)



SHEET METAL AIR CLAMP  
(TOP VIEW)

- A** Air Duct\*
- B** Clamp
- C** Sheet Metal Air Duct
- D** M6 x 16 Combination Screw (x8)
- E** SRCOOL3KTP AC Unit

\* Air duct can stretch up to 16.4 ft. (5 m).  
When compressed as shown it is 9.92 in.  
(252 mm).



Dimensions: inches [mm]

We have a policy of continuous improvement. Specifications are subject to change without notice.  
Photos and illustrations may differ slightly from actual products.

**TRIPP-LITE**  
by **EATON**

1111 W. 35th Street  
Chicago, IL 60609 USA  
773.869.1234  
tripplite.com

### About Tripp Lite by Eaton

Tripp Lite joined the Eaton family in March 2021. Eaton has long been a premier name in backup power and power management. The acquisition of Tripp Lite transforms Eaton's distributed IT infrastructure and connectivity equipment capabilities. Combining our product strengths and expert personnel allows us to offer comprehensive and innovative solutions for critical power and digital infrastructure applications, backed by quality, service and support you can trust. Learn more at [tripplite.com/byEaton](https://tripplite.com/byEaton).