

# SmartRack® Enclosures with Top-Rack Mounted AC Units

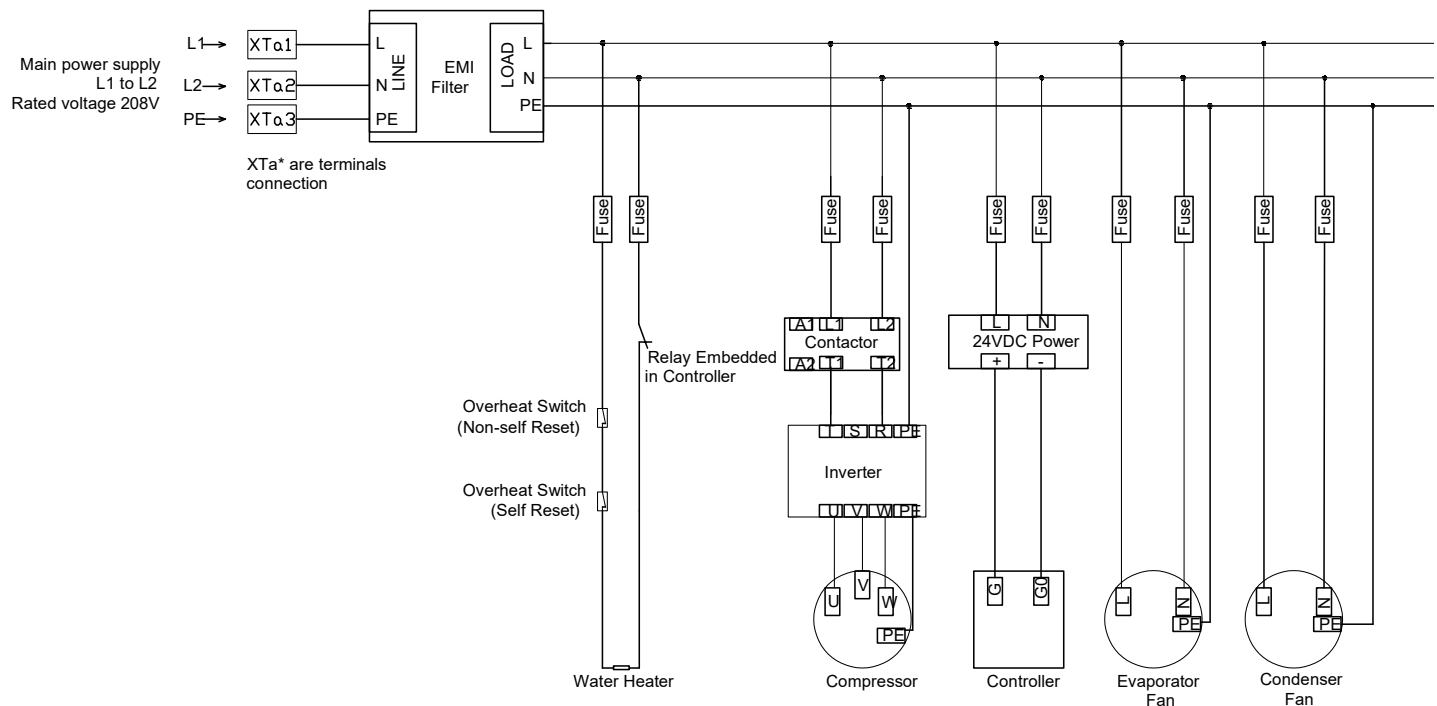
Model: SRCOOL3KTP33U

Model includes: Top-of-Rack 3.5kW Cooler and 33U Rack

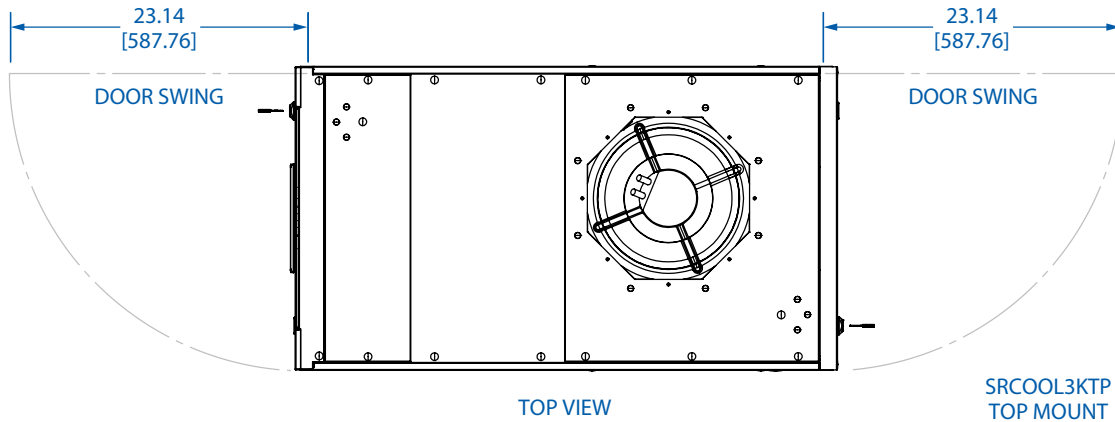
## Maximum Current and Power Cable Configuration

Voltage	208V AC, Single Phase
Frequency	60 Hz
Max Current	17A
Max Overcurrent Protection (MOP)	20A
Input Power Cable (L1)	12 AWG, 3.31 mm square
Input Power Cable (L2)	12 AWG, 3.31 mm square
Input Ground (GND) and Neutral (N) Cables	12 AWG, 3.31 mm square
Maximum Rejected Heat	4.3kW
Rated Cooling Capacity	3.5kW / 12,000 BTU
Refrigerant Type	R410a
Dimensions: H x W x D in. (mm)	64.11 (1628.39) x 23.6 (599.44) x 43.3 (1099.82)
Weight (lb./kg)	438 / 198.67
Floor Loading (lb./ft. <sup>2</sup> ) / (kg/m <sup>2</sup> )	36.5 / 16.56

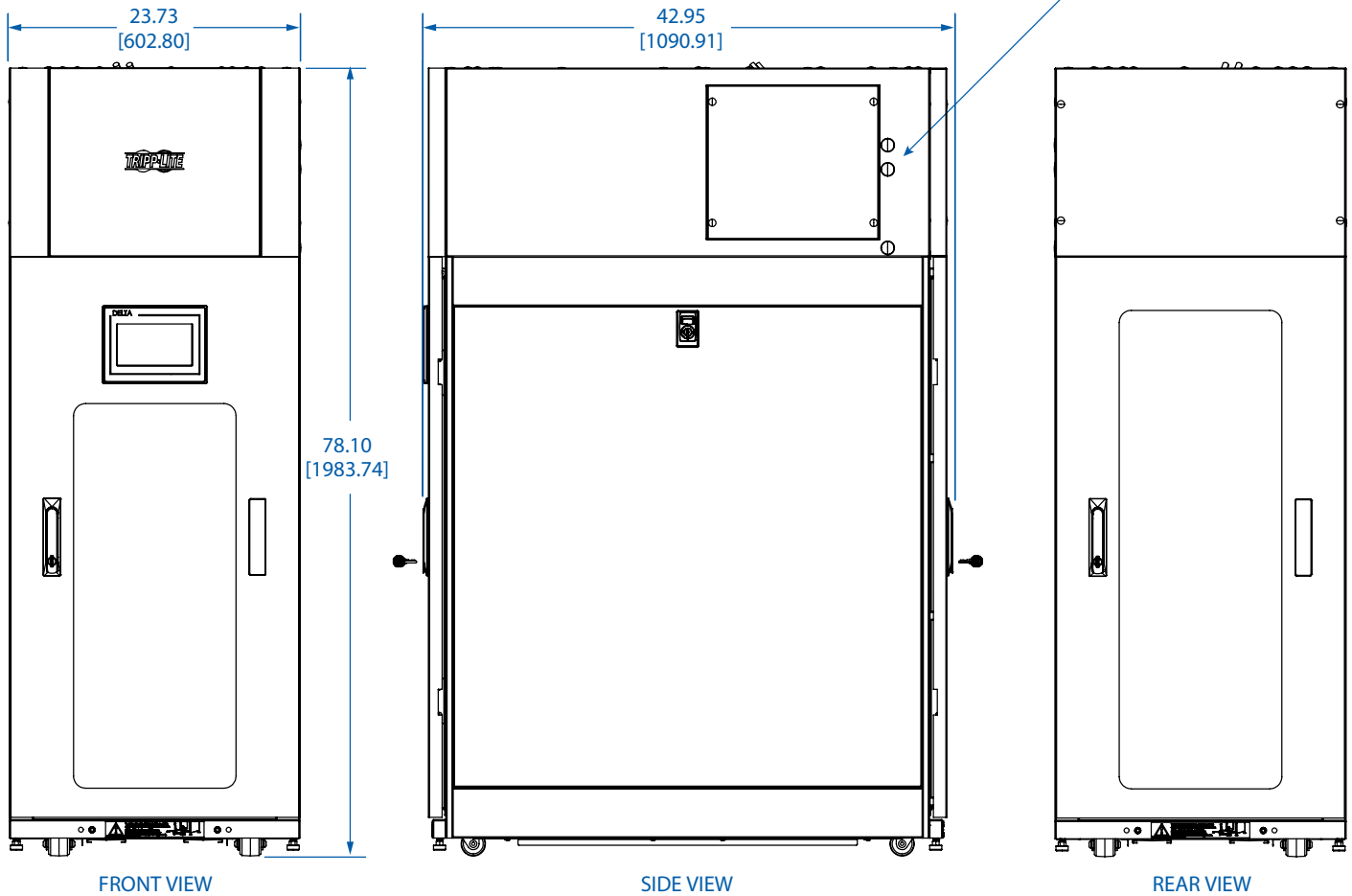
## Block Diagram



## SRCOOL3KTP33U Dimensions



SRCOOL3KTP  
TOP MOUNT  
COOLER



SmartRack® Enclosures with  
Top-Rack Mounted AC Units

**TRIPP-LITE**  
by **EATON**

1111 W. 35th Street  
Chicago, IL 60609 USA  
773.869.1234  
triplite.com

Dimensions: inches [mm]

We have a policy of continuous improvement. Specifications are subject to change without notice.  
Photos and illustrations may differ slightly from actual products.

### About Tripp Lite by Eaton

Tripp Lite joined the Eaton family in March 2021. Eaton has long been a premier name in backup power and power management. The acquisition of Tripp Lite transforms Eaton's distributed IT infrastructure and connectivity equipment capabilities. Combining our product strengths and expert personnel allows us to offer comprehensive and innovative solutions for critical power and digital infrastructure applications, backed by quality, service and support you can trust. Learn more at [triplite.com/byEaton](https://triplite.com/byEaton).