

SmartRack® Enclosures with Top-Rack Mounted AC Units

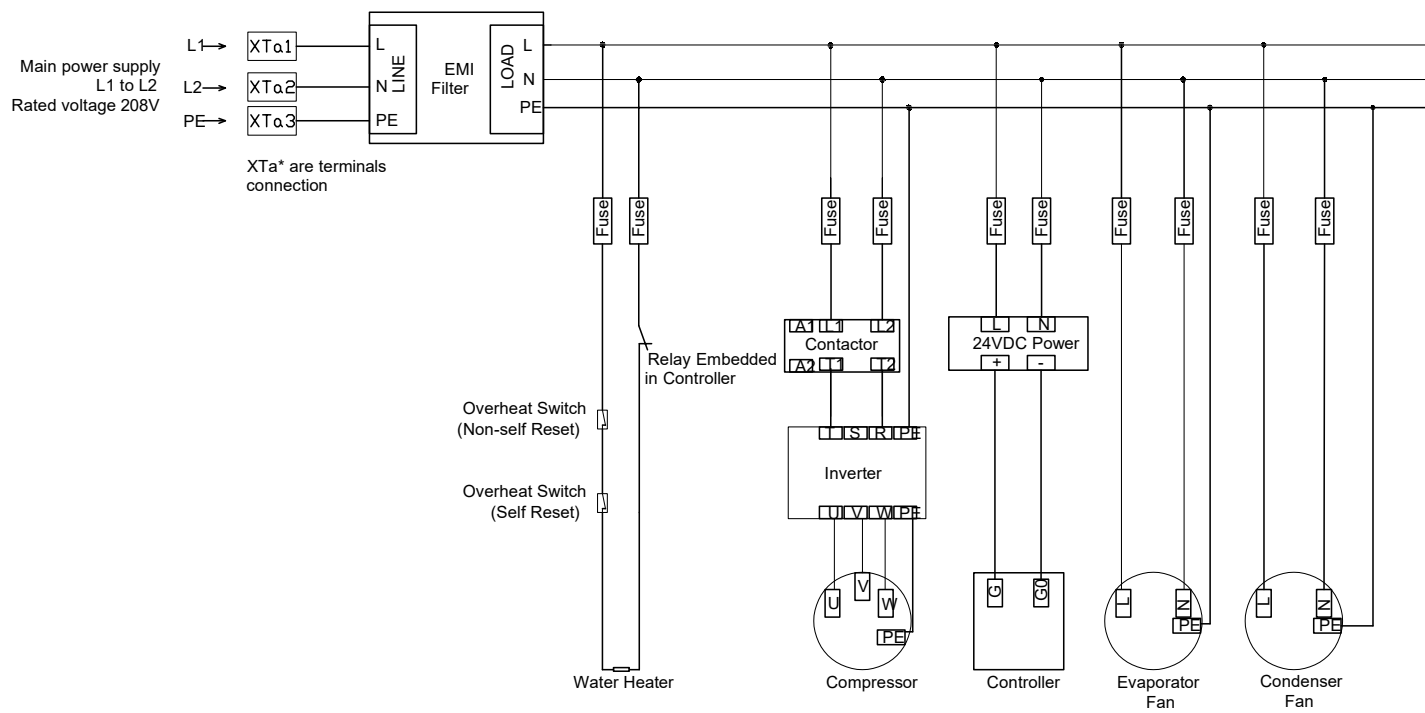
Model: SRCOOL3KTP25U

Assembly Kit Includes: 3.5kW Cooling Unit, Plus 25U Rack (SRCOOL3KTP + SR25UBAC)

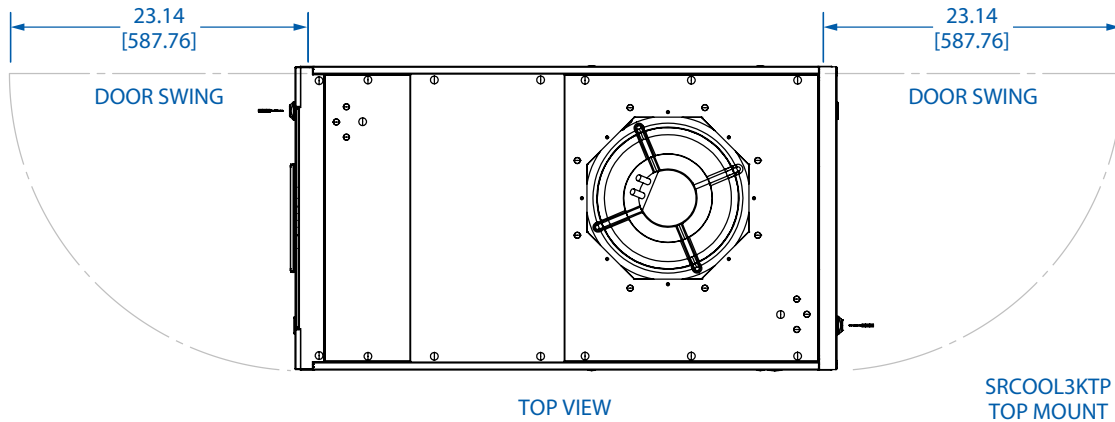
Maximum Current and Power Cable Configuration

Input Power	208V AC Single-Phase
Frequency	60 Hz
Min. Current Ampcity (MCA)	17A
Maximum Over Current Protection (MOP)	20 Amps
Refrigerant Type	R410A
Input Power Cable (L1)	12 AWG (3.31 mm ²)
Input Power Cable (L2)	12 AWG (3.31 mm ²)
Input Power Cable (GND)	12 AWG (3.31 mm ²)
Maximum Rejected Heat	4.3kW
Rated Cooling Capacity	3.5kW / 12,000 BTU
Dimensions: H x W x D in. (mm)	64.11 (1628.39) x 23.6 (599.44) x 43.3 (1099.82)
Weight (lb./kg)	388 / 175.99
Floor Loading (lb./ft. ²) / (kg/m ²)	32.33 / 14.66

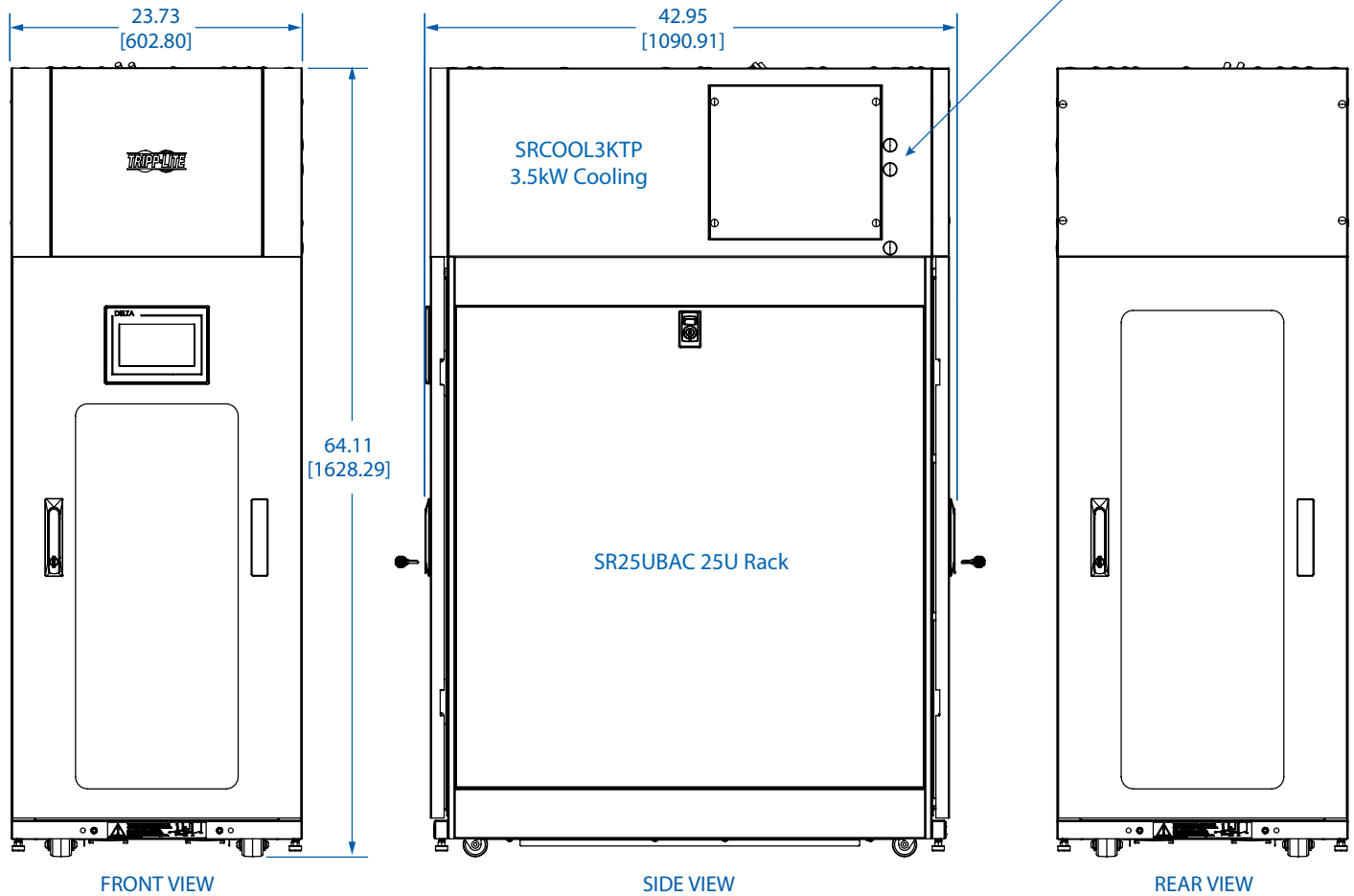
Block Diagram



SRCOOL3KTP25U Dimensions



SRCOOL3KTP
TOP MOUNT
COOLER



SmartRack® Enclosures with
Top-Rack Mounted AC Units

TRIPP-LITE
by **EATON**

1111 W. 35th Street
Chicago, IL 60609 USA
773.869.1234
triplite.com

Dimensions: inches [mm]

We have a policy of continuous improvement. Specifications are subject to change without notice.
Photos and illustrations may differ slightly from actual products.

About Tripp Lite by Eaton

Tripp Lite joined the Eaton family in March 2021. Eaton has long been a premier name in backup power and power management. The acquisition of Tripp Lite transforms Eaton's distributed IT infrastructure and connectivity equipment capabilities. Combining our product strengths and expert personnel allows us to offer comprehensive and innovative solutions for critical power and digital infrastructure applications, backed by quality, service and support you can trust. Learn more at triplite.com/byEaton.