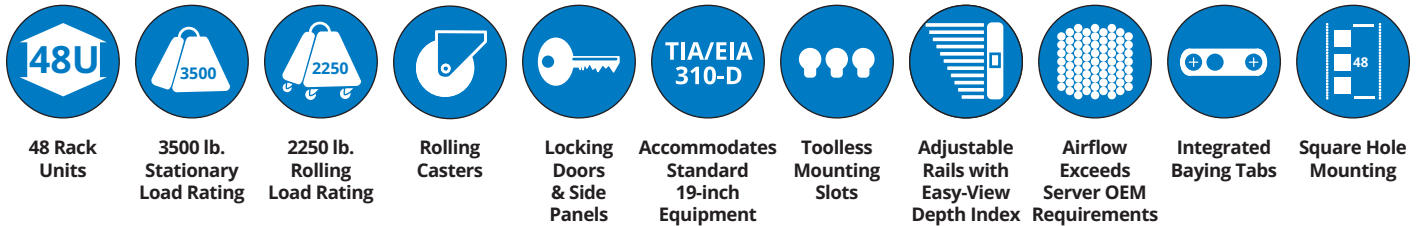
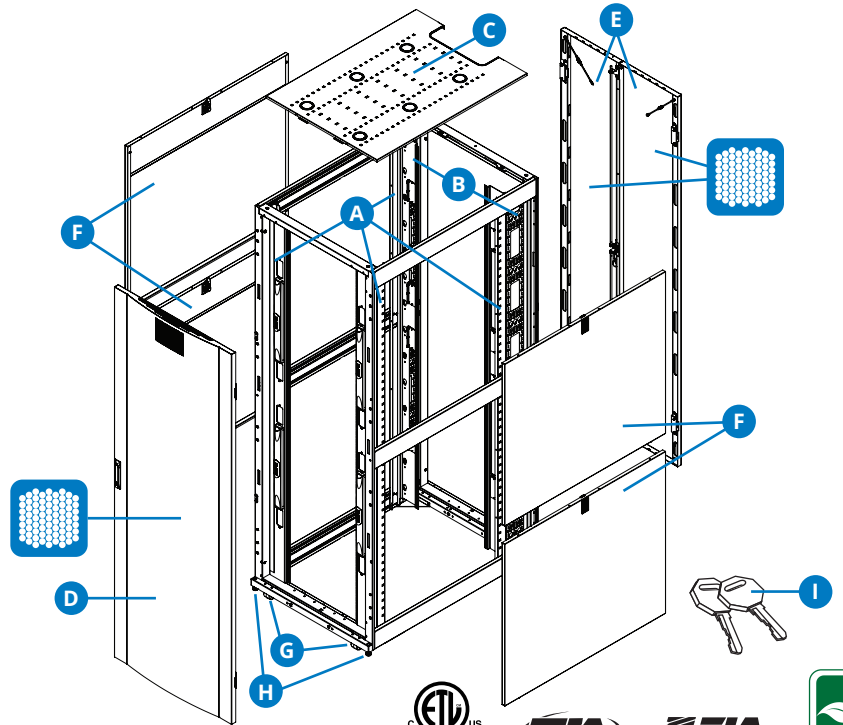


SmartRack 48U Deep Extra-Wide Rack Enclosure Cabinet, Black (SR48UBDPWD8)



- A Adjustable Mounting Rails**
- B Adjustable PDU Mounting Rails with Toolless Mounting Slots**
- C Roof Panel** (Removable)
- D Front Door** (Lockable/Removable/Reversible)
- E Split Rear Doors** (Lockable/Removable)
- F Side Panels** (Lockable/Removable)
- G Casters**
- H Levelers**
- I Keys** (For doors and side panels)



Also Includes: Owner's manual, 2 stabilizing brackets and rackmount equipment mounting hardware (50 cage nuts, 50 mounting screws, 50 nylon cup washers)



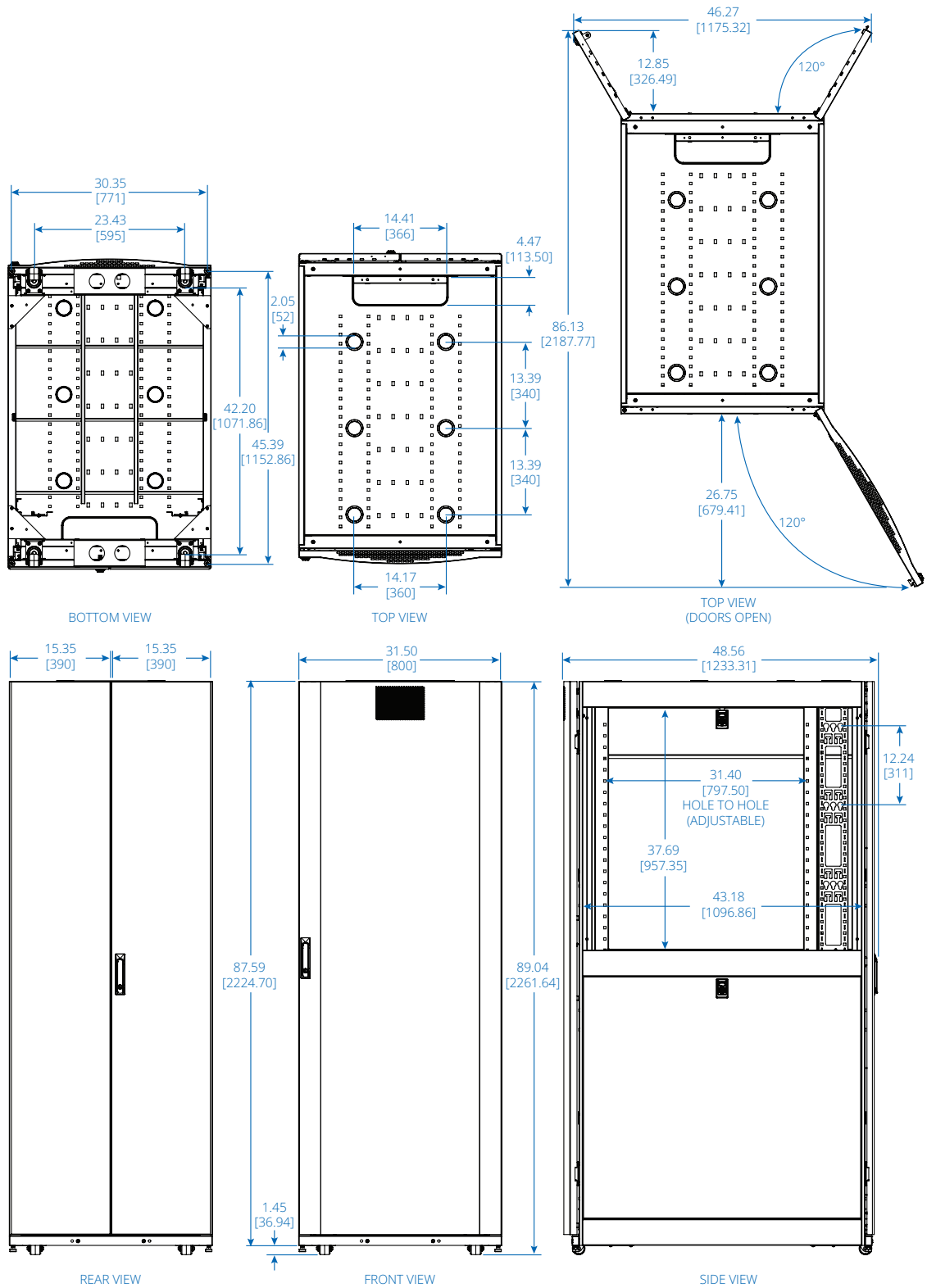
SPECIFICATIONS

Model	SR48UBDPWD8
Rack Spaces	48U
Stationary Load Rating	3500 lb. / 1588 kg
Rolling Load Rating	2250 lb. / 1020 kg
Unit Dimensions [H x W x D]	89 x 31.5 x 48.5 in. / 2261 x 800 x 1232 mm
Shipping Dimensions [H x W x D]	95 x 33.5 x 50.7 in. / 2413 x 850 x 1288 mm
Unit Weight	411 lb. / 186.5 kg
Certifications	UL 62368-1, UL 60950, RoHS, and EIA-310-E (Accommodates all standard 19-inch rackmount equipment regardless of vendor.)

* Part numbers and specifications are subject to change.



Powering Business Worldwide



Dimensions: INCHES [mm]

Learn more at [Tripplite.Eaton.com](https://www.Tripplite.Eaton.com)



Eaton
 1000 Eaton Boulevard
 Cleveland, OH 44122
 United States
 Eaton.com

© 2025 Eaton
 All Rights Reserved
 Publication No. 25-01-129
 January 2025

No part of this document may be reproduced in any way without the express written approval of Eaton.

Eaton reserves the right to change specifications without prior notice. Eaton is a registered trademark of Eaton. All other trademarks are properties of their respective companies.

Follow us on social media to get the latest product and support information.

