







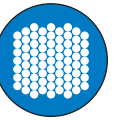
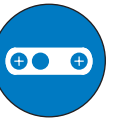
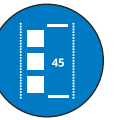
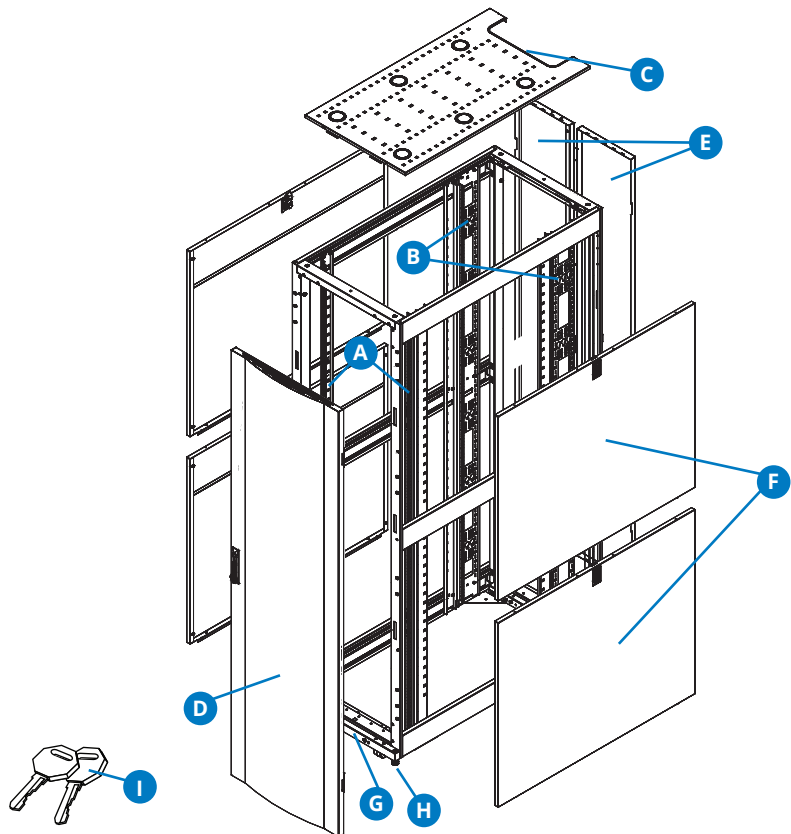


SmartRack® 45U Deep Standard-Width Rack Enclosure Cabinet, Black (SR45UBDP)

										
45 Rack Units	3000 lb. Stationary Load Rating	2250 lb. Rolling Load Rating	Heavy-Duty Casters	Locking Doors and Side Panels	Accommodates Standard 19 in. Equipment	Toolless Mounting Slots	Adjustable Rails with Easy-View Depth Index	Airflow Exceeds Server OEM Requirements	Integrated Bypassing Tabs	Square-Hole Mounting

- A Adjustable Mounting Rails**
- B Adjustable PDU Mounting Rails with Toolless Mounting Slots**
- C Roof Panel** (Removable)
- D Front Door** (Lockable/Removable/Reversible)
- E Split Rear Doors** (Lockable/Removable)
- F Side Panels** (Lockable/Removable)
- G Heavy-Duty Casters**
- H Heavy-Duty Levelers**
- I Keys** (For Doors and Side Panels)

Also Includes: Owner's manual, 2 stabilizing brackets and rack equipment mounting hardware (50 cage nuts, 50 mounting screws and 50 nylon cup washers)



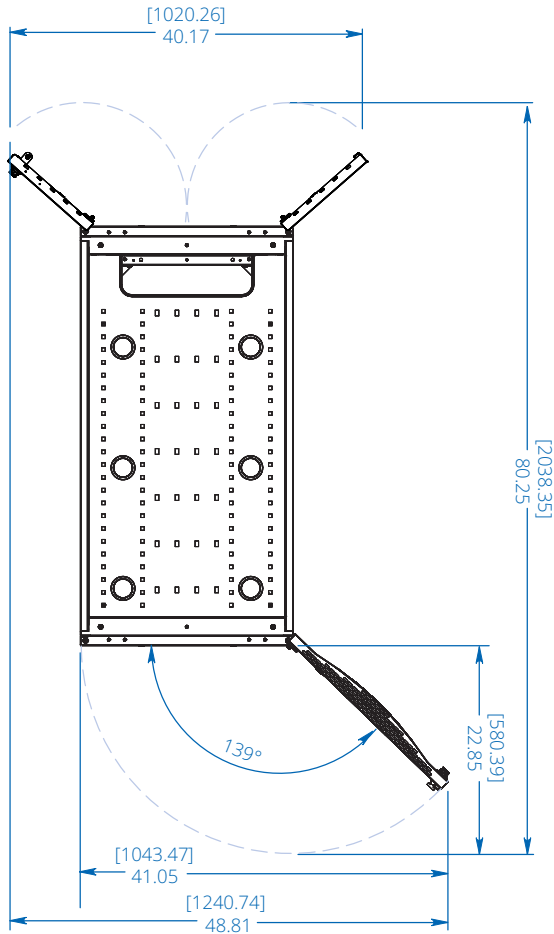
SPECIFICATIONS

Model	SR45UBDP
Rack Spaces	45U
Stationary Load Rating	3000 lb. / 1363 kg
Rolling Load Rating	2250 lb. / 1022 kg
Unit Dimensions (H x W x D)	83.75 x 23.6 x 48.5 in. / 2100 x 600 x 1232 mm
Shipping Dimensions (H x W x D)	90.3 x 26 x 53 in. / 2294 x 660 x 1346 mm
Unit Weight	340 lb. / 154 kg
Certifications	UL 60950-1, IEC 60297-3-100, DIN 41494, IP20, TIA/EIA-310-D (Accommodates all standard 19 in. rack-mount equipment regardless of vendor)

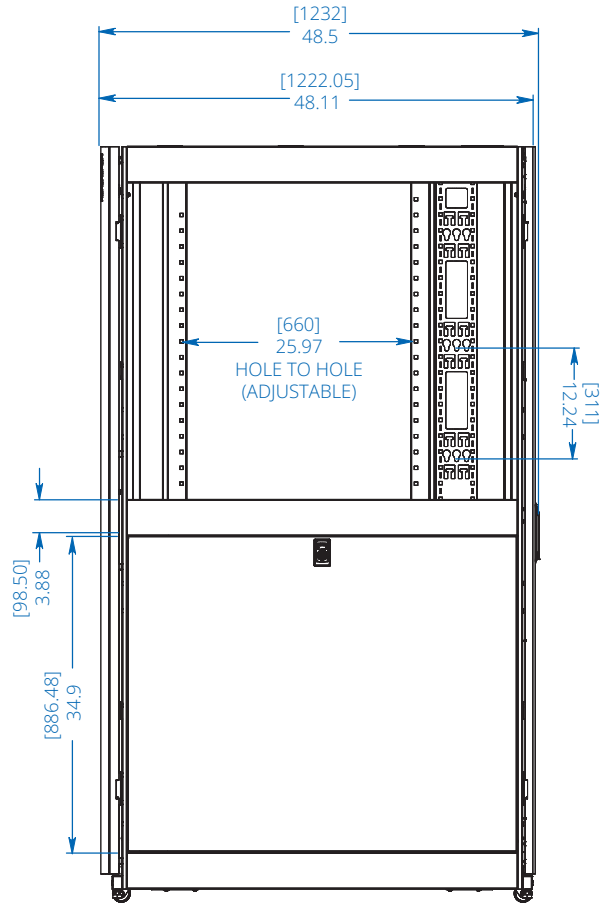
Part numbers and specifications are subject to change.



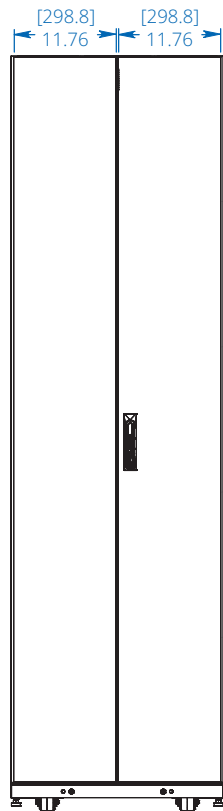
Powering Business Worldwide



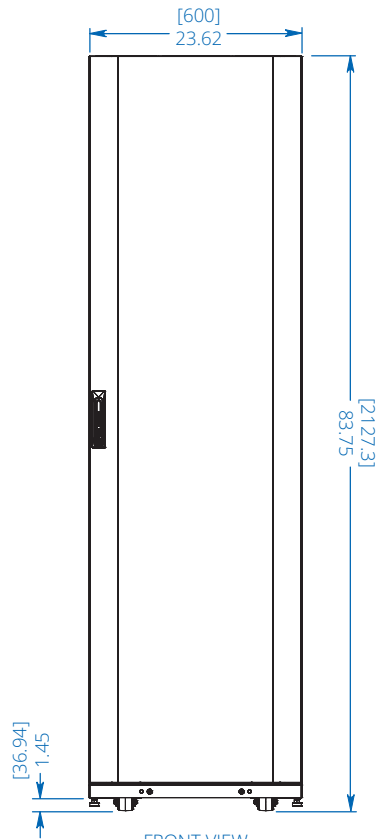
TOP VIEW



SIDE VIEW

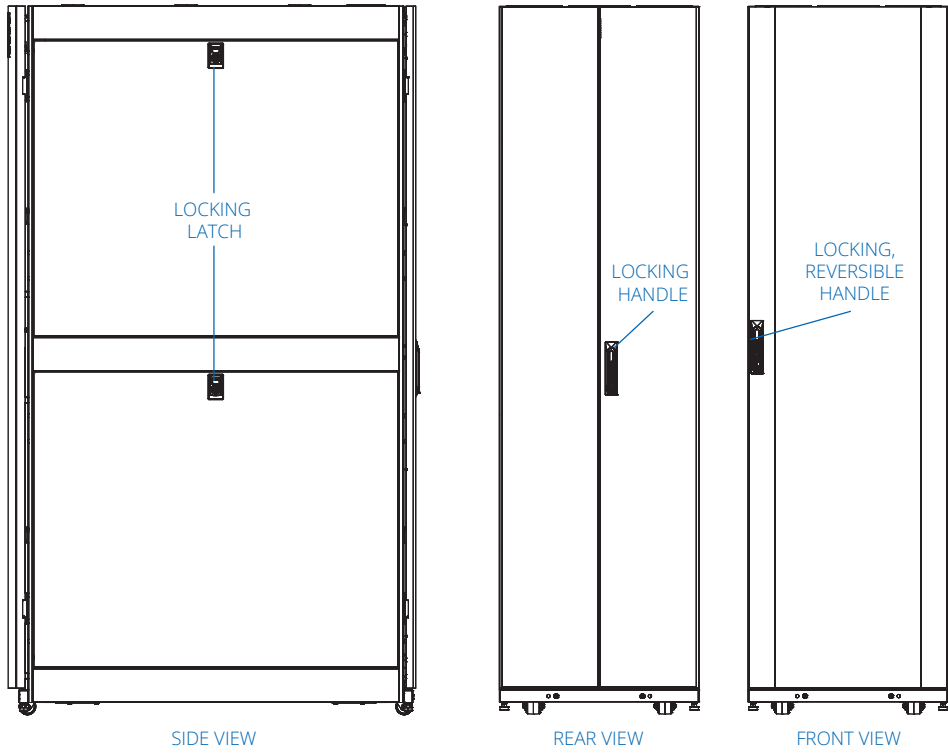
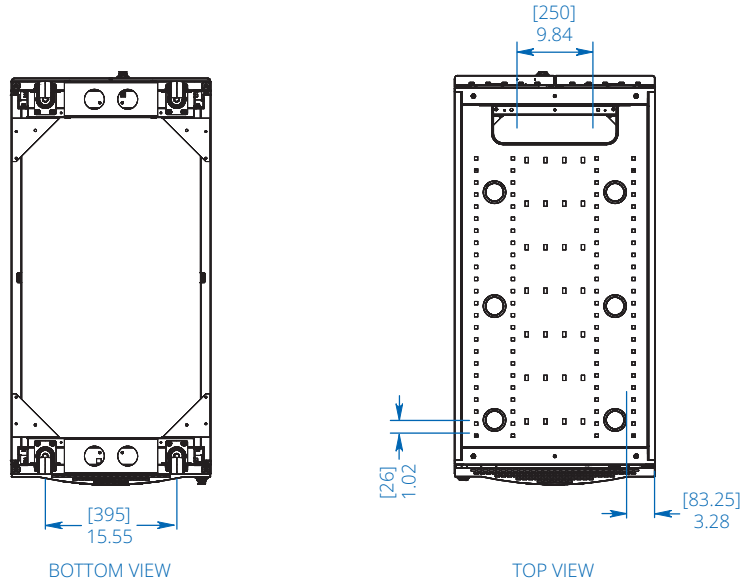


REAR VIEW



FRONT VIEW

Dimensions: INCHES [mm]



Dimensions: INCHES [mm]

Learn more at TrippLite.Eaton.com



Eaton
 1000 Eaton Boulevard
 Cleveland, OH 44122
 United States
 Eaton.com

© 2024 Eaton
 All Rights Reserved
 23-11-071
 November 2024

No part of this document may be reproduced in any way without the express written approval of Eaton.

Eaton reserves the right to change specifications without prior notice. Eaton is a registered trademark of Eaton. All other trademarks are properties of their respective companies.

Follow us on social media to get the latest product and support information.

