

# SmartRack 42U Extra-Wide Rack Enclosure Cabinet, Black (SR42UBWD8)



42 Rack Units



3500 lb. Stationary Load Rating



2250 lb. Rolling Load Rating



Rolling Casters



Locking Doors & Side Panels



Accommodates Standard 19-inch Equipment



Toolless Mounting Slots



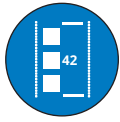
Adjustable Rails with Easy-View Depth Index



Airflow Exceeds Server OEM Requirements

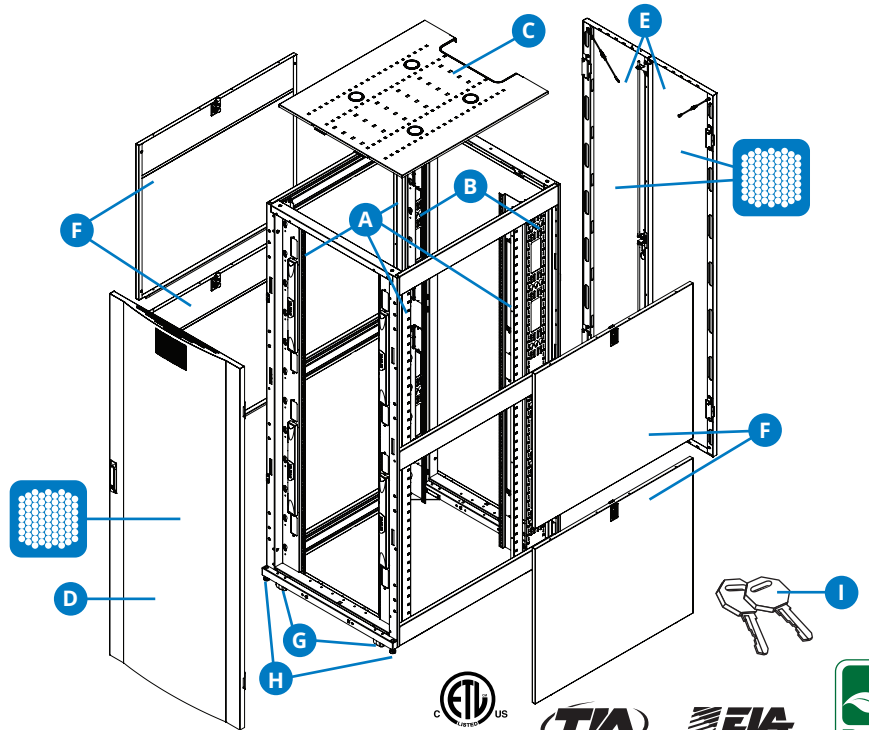


Integrated Baying Tabs



Square Hole Mounting

- A Adjustable Mounting Rails**
- B Adjustable PDU Mounting Rails with Toolless Mounting Slots**
- C Roof Panel** (Removable)
- D Front Door** (Lockable/Removable/Reversible)
- E Split Rear Doors** (Lockable/Removable)
- F Side Panels** (Lockable/Removable)
- G Casters**
- H Levelers**
- I Keys** (For doors and side panels)



Also Includes: Owner's manual, 2 stabilizing brackets and rackmount equipment mounting hardware (50 cage nuts, 50 mounting screws, 50 nylon cup washers)



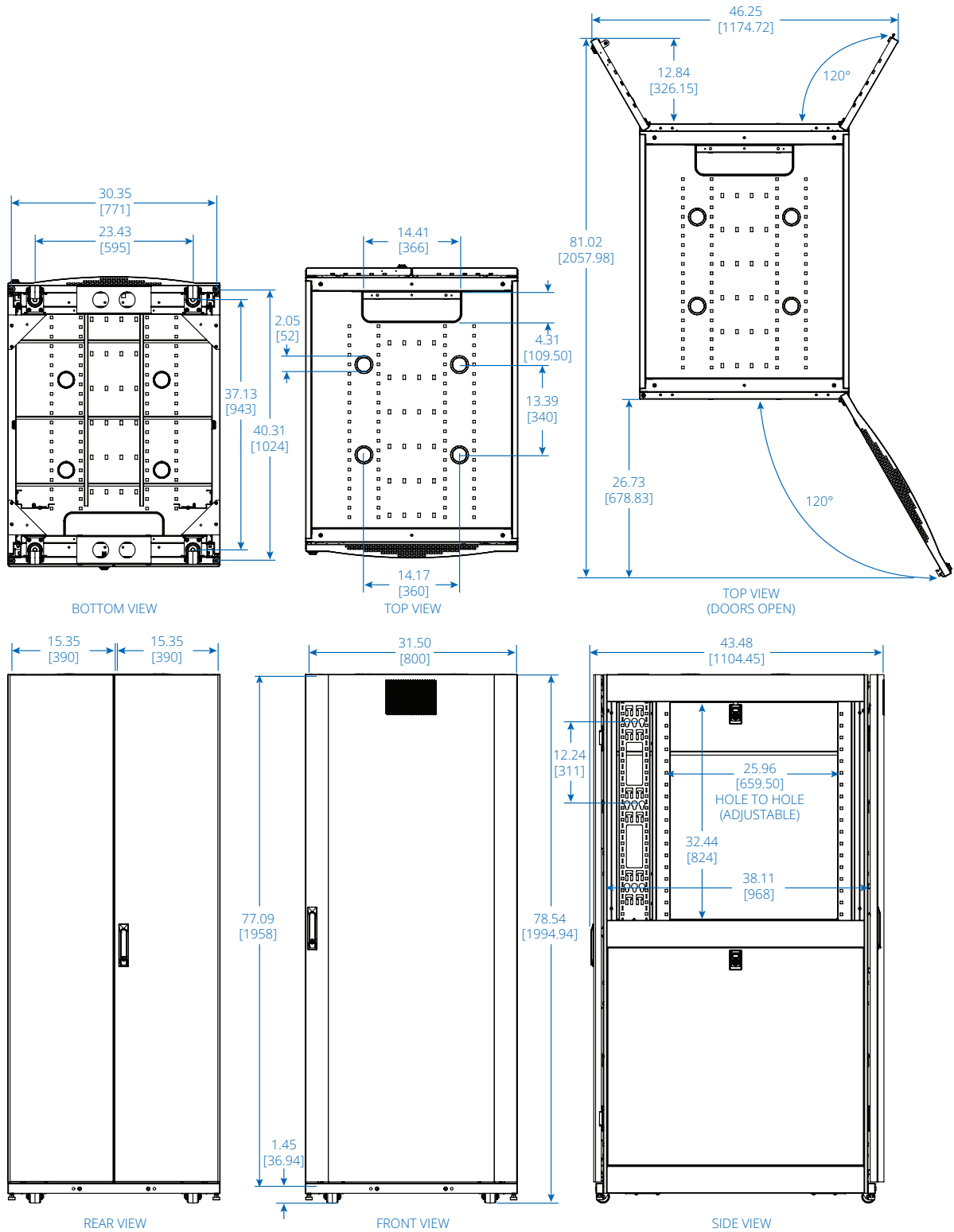
## SPECIFICATIONS

Model	SR42UBWD8
Rack Spaces	42U
Stationary Load Rating	3500 lb. / 1588 kg
Rolling Load Rating	2250 lb. / 1020 kg
Unit Dimensions [H x W x D]	78.5 x 31.5 x 43 in. / 1994 x 800 x 1092 mm
Shipping Dimensions [H x W x D]	83.4 x 33.5 x 45.5 in. / 2119 x 850 x 1156 mm
Unit Weight	355 lb. / 161 kg.
Certifications	UL60950, RoHS, CE, TIA/EIA-310-D (Accommodates all standard 19-inch rackmount equipment regardless of vendor.)

\* Part numbers and specifications are subject to change.



Powering Business Worldwide



Dimensions: INCHES [mm]

Learn more at [Tripplite.Eaton.com](https://www.Tripplite.Eaton.com)



**Eaton**  
 1000 Eaton Boulevard  
 Cleveland, OH 44122  
 United States  
 Eaton.com

© 2025 Eaton  
 All Rights Reserved  
 Publication No. 25-01-126  
 February 2025

No part of this document may be reproduced in any way without the express written approval of Eaton.

Eaton reserves the right to change specifications without prior notice. Eaton is a registered trademark of Eaton. All other trademarks are properties of their respective companies.

Follow us on social media to get the latest product and support information.

