

MODEL:

SR2POST12HD

SmartRack® Heavy-Duty 12U 2-Post Open Frame Rack



12 Rack Units



350 lb. Load Rating



Standard 19 in.
Rack Width



Toolless Mounting Slots



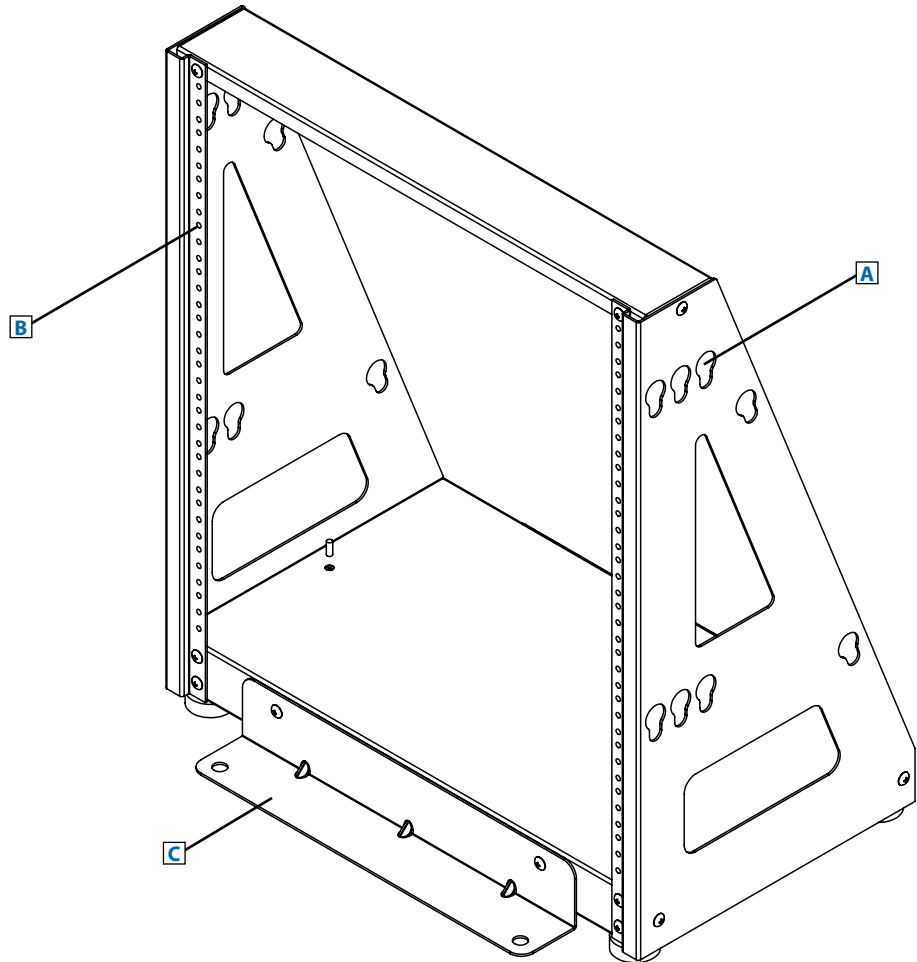
12-24 Threaded
Hole Mounting



Sturdy Steel Construction

- A** Keyhole Slots
- B** Threaded Mounting Holes
- C** Securement Brackets (2)

Also includes M5 x 12 mm mounting screws (16), rubber feet (4) and installation guide.



Specifications

Model:	SR2POST12HD
Rack Spaces:	12U
Equipment Mounting Depth:	12 in. (30.5 cm)
Load Rating*:	350 lb. (159 kg)
Unit Dimensions (H x W x D):	24.6 x 20.6 x 11.7 in. (62.5 x 52.3 x 29.7 cm)
Unit Weight:	22 lb. (10 kg)
Certifications:	CAN/CSA-C22.2 No. 62368-1 (Canada); RoHS; UL 62368-1; TIA/EIA-310-D (Accommodates all standard 19-inch rack-mount equipment regardless of vendor.)

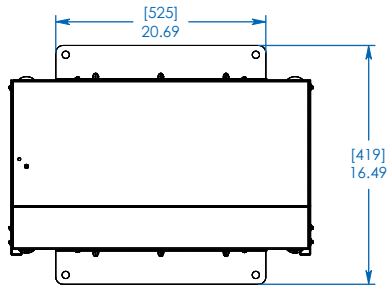


* Load rating includes the combined weight of unit and all installed equipment. Unit must be mounted to a stable surface with user-supplied anchors capable of bearing the full load.

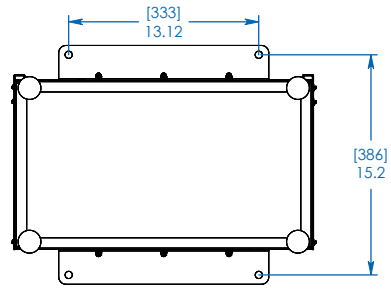
- Compact rack houses and organizes 19 in. equipment, including servers and switches
- 2-post open-frame design is ideal for IT environments that do not require a lockable enclosure cabinet
- Easy to assemble with included hardware
- Stable cantilever design allows mounting of heavy equipment without threat of tipping

SEE NEXT PAGE FOR DETAILED UNIT MEASUREMENTS

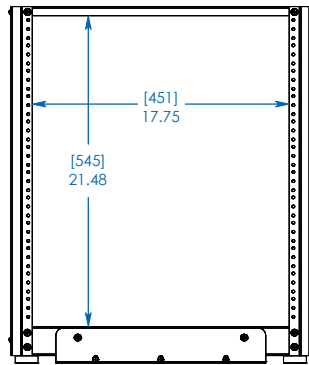
TRIPP-LITE
by **EATON**



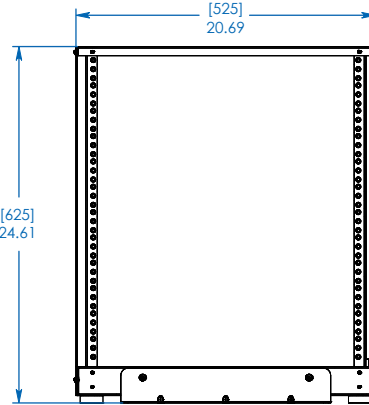
TOP



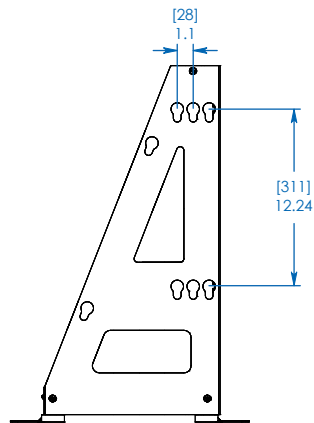
BOTTOM



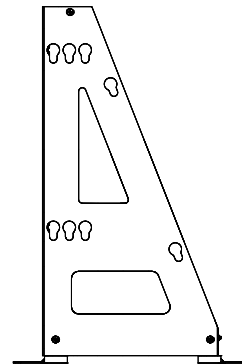
FRONT



BACK



LEFT



RIGHT

Dimensions: [mm] inches

We have a policy of continuous improvement. Specifications are subject to change without notice. Photos and illustrations may differ slightly from actual products.

Model:

SR2POST12HD

TRIPP-LITE
by **EATON**

1111 W. 35th Street
Chicago, IL 60609 USA
773.869.1234
tripplite.com

About Tripp Lite by Eaton

Tripp Lite joined the Eaton family in March 2021. Eaton has long been a premier name in backup power and power management. The acquisition of Tripp Lite transforms Eaton's distributed IT infrastructure and connectivity equipment capabilities. Combining our product strengths and expert personnel allows us to offer comprehensive and innovative solutions for critical power and digital infrastructure applications, backed by quality, service and support you can trust. Learn more at tripplite.com/byEaton.