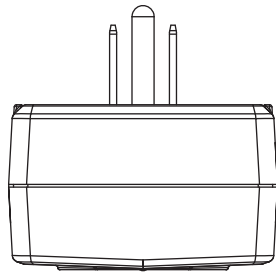


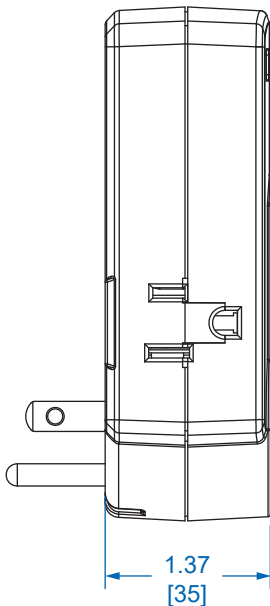
MODEL:

SK120USB

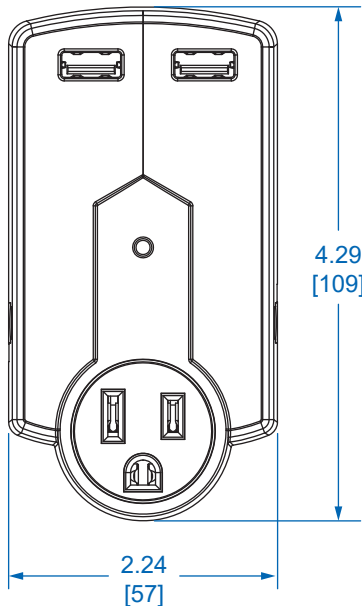
Protect It![®] 3-Outlet Surge Protector with USB Charging



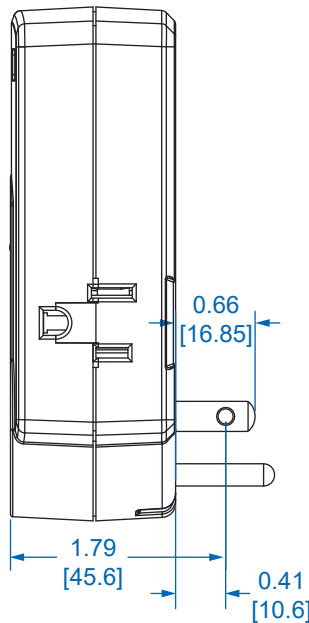
TOP VIEW



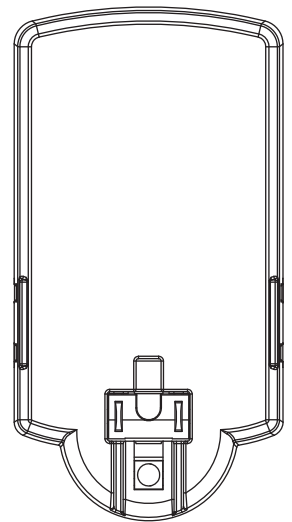
SIDE VIEW



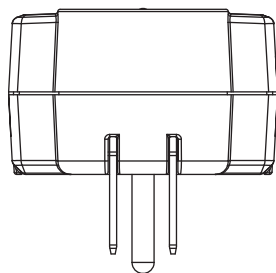
FRONT VIEW



SIDE VIEW



REAR VIEW



BOTTOM VIEW

Dimensions: inches [mm]

We have a policy of continuous improvement. Specifications are subject to change without notice. Photos and illustrations may differ slightly from actual products.

TRIPP-LITE
by **EATON**

1000 Eaton Boulevard
Cleveland, OH 44122
United States
Eaton.com

About Tripp Lite by Eaton

Tripp Lite joined the Eaton family in March 2021. Eaton has long been a premier name in backup power and power management. The acquisition of Tripp Lite transforms Eaton's distributed IT infrastructure and connectivity equipment capabilities. Combining our product strengths and expert personnel allows us to offer comprehensive and innovative solutions for critical power and digital infrastructure applications, backed by quality, service and support you can trust. Learn more at tripplite.com/byEaton.