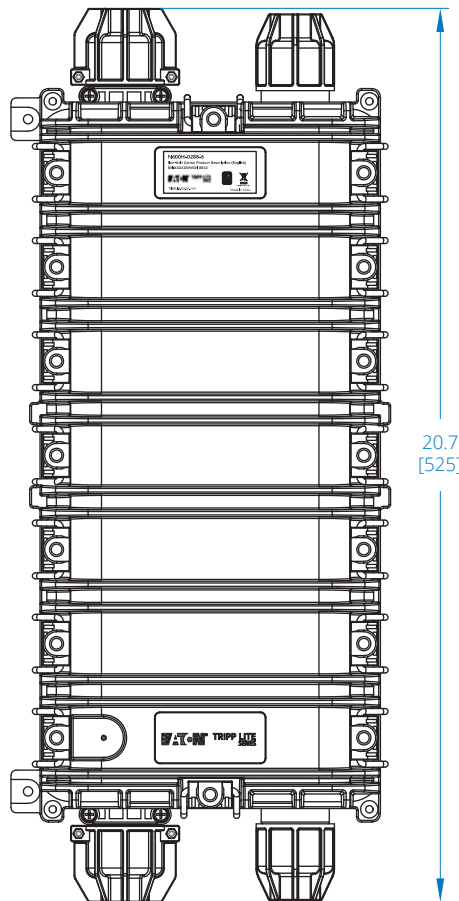
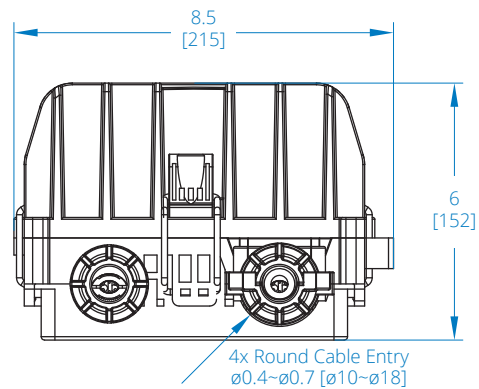


Fiber Splice Horizontal Enclosure - 6 Splicing Trays, 288 Fiber Capacity, IP68 Rated (N600H-0288-6)

Enclosure



FRONT VIEW



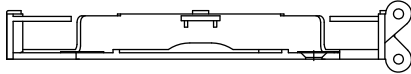
BOTTOM VIEW

Dimensions: INCHES [mm]

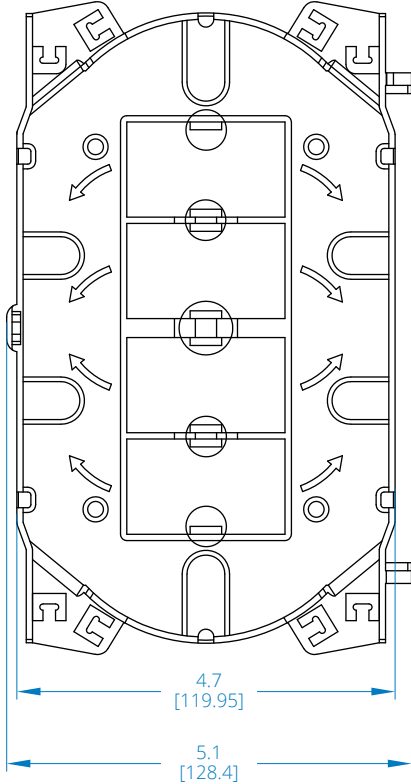


Powering Business Worldwide

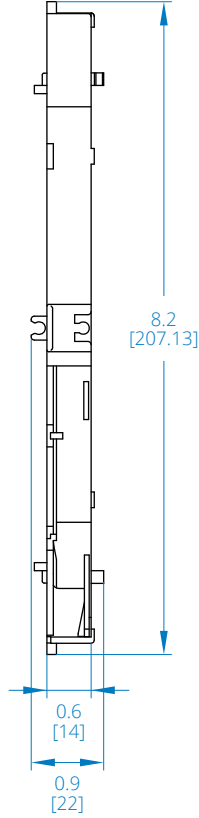
Splicing Tray



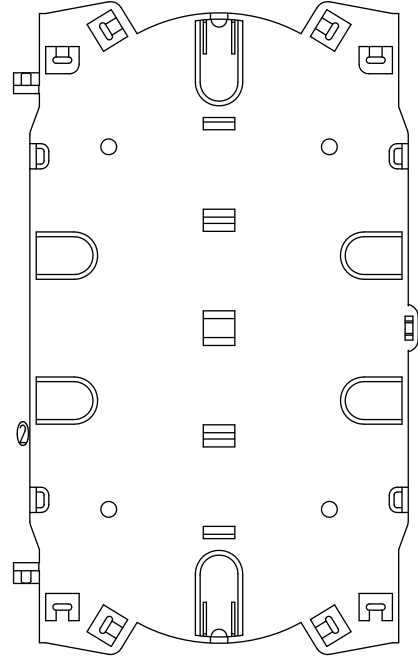
END VIEW



TOP VIEW



SIDE VIEW



BOTTOM VIEW

Dimensions: INCHES [mm]

Learn more at [Tripplite.Eaton.com](https://www.Tripplite.Eaton.com)



Eaton
 1000 Eaton Boulevard
 Cleveland, OH 44122
 United States
 Eaton.com

© 2024 Eaton
 All Rights Reserved
 Publication No. 24-02-140
 May 2024

No part of this document may be reproduced in any way without the express written approval of Eaton.

Eaton reserves the right to change specifications without prior notice. Eaton is a registered trademark of Eaton. All other trademarks are properties of their respective companies.

Follow us on social media to get the latest product and support information.

