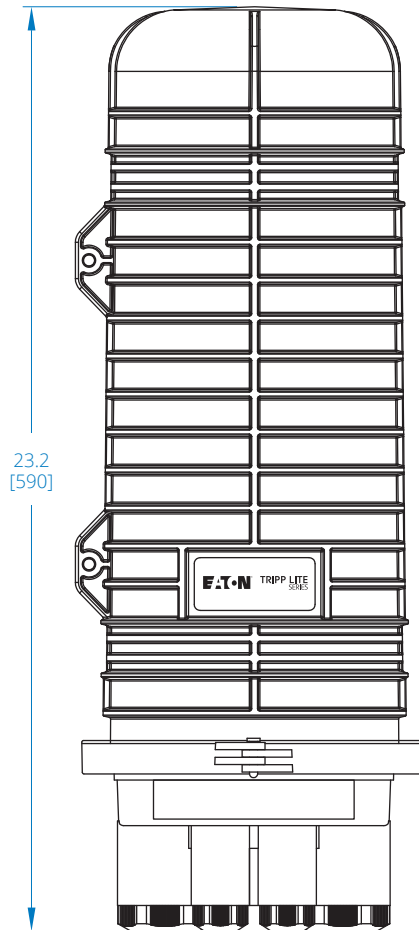
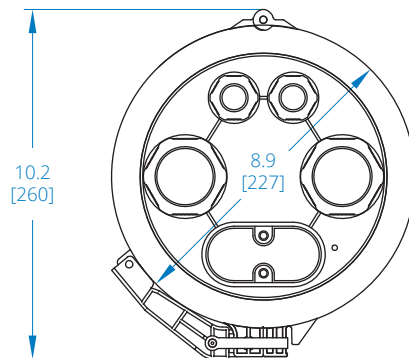


# Fiber Splice Dome Enclosure - 6 Splicing Trays, 1152 Fiber Capacity, IP68 Rated (N600D-1152-6)

## Closure Assembly



FRONT VIEW



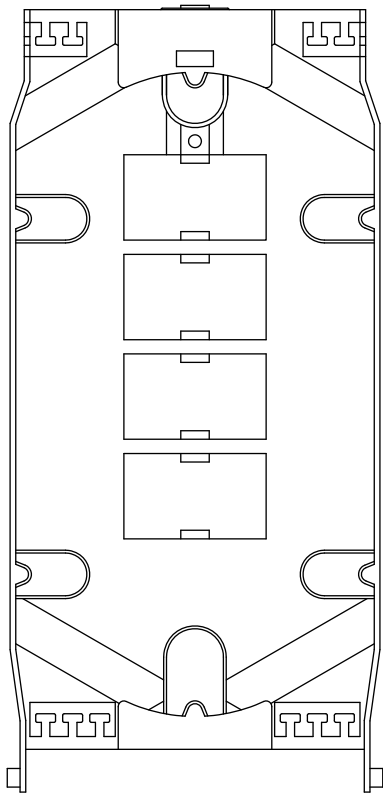
BOTTOM VIEW

Dimensions: INCHES [mm]

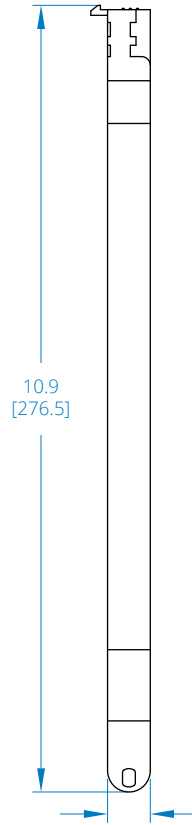


Powering Business Worldwide

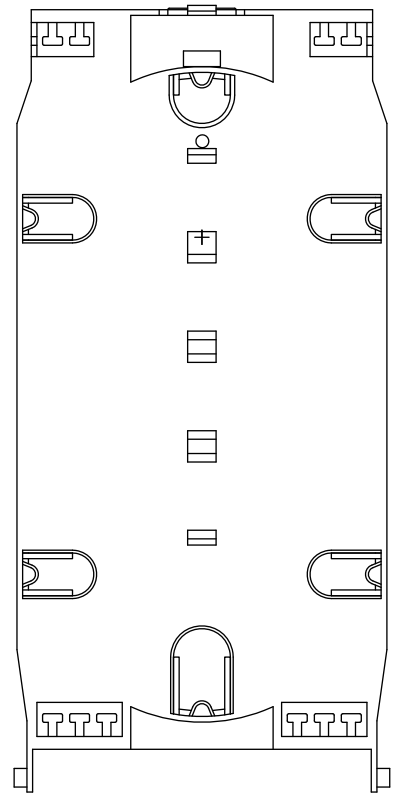
# Splice Tray



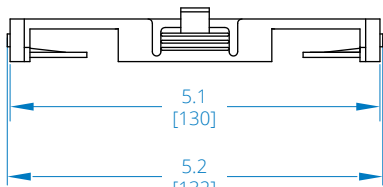
TOP VIEW



SIDE VIEW



BOTTOM VIEW



END VIEW

Dimensions: INCHES [mm]

Learn more at [Tripplite.Eaton.com](https://www.Tripplite.Eaton.com)



**Eaton**  
 1000 Eaton Boulevard  
 Cleveland, OH 44122  
 United States  
 Eaton.com

© 2024 Eaton  
 All Rights Reserved  
 Publication No. 24-02-136  
 April 2024

No part of this document may be reproduced in any way without the express written approval of Eaton.

Eaton reserves the right to change specifications without prior notice. Eaton is a registered trademark of Eaton. All other trademarks are properties of their respective companies.

Follow us on social media to get the latest product and support information.

