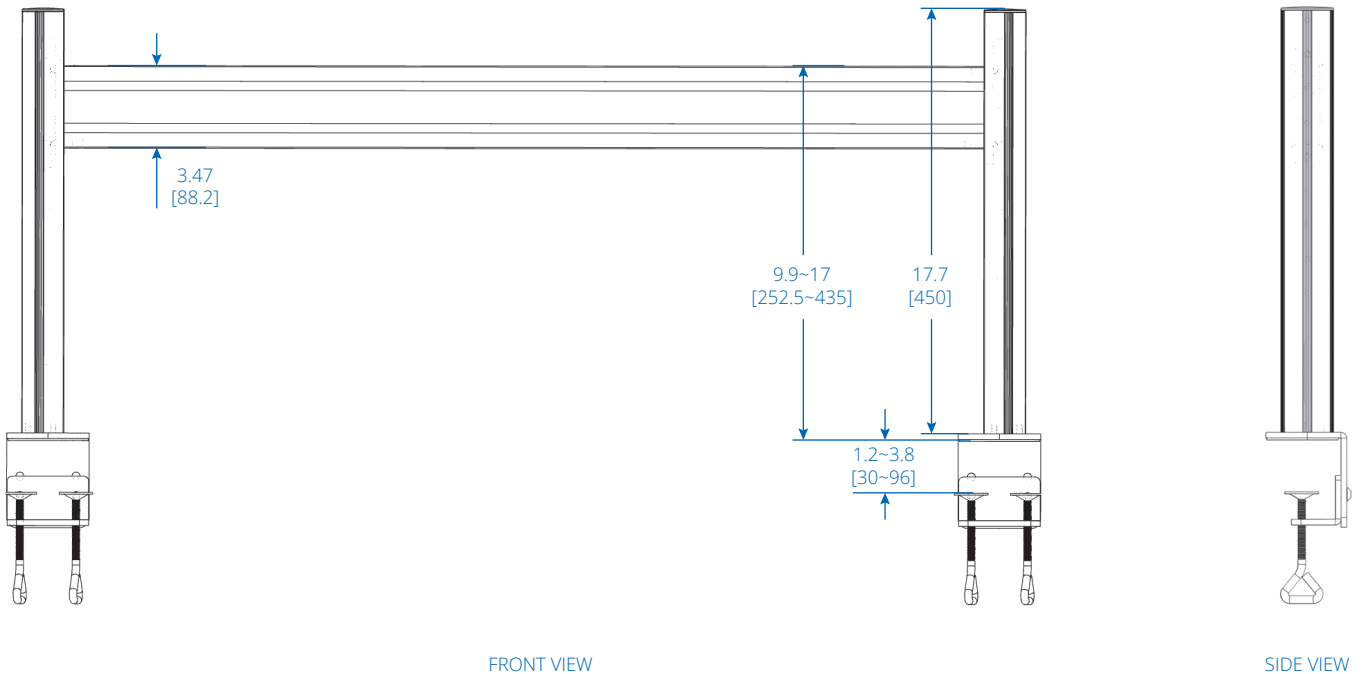
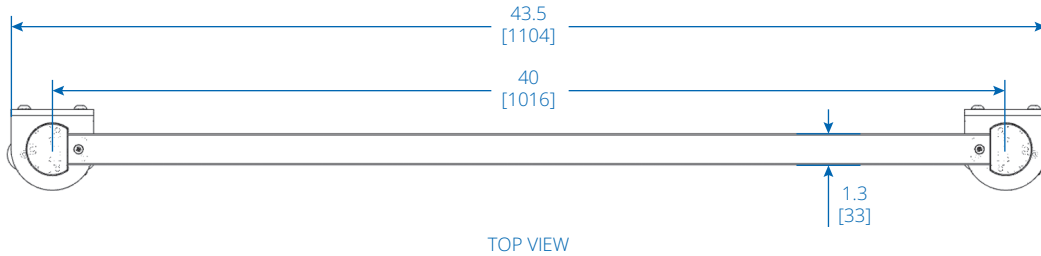


# Slat Rail with Posts for Slat Wall System (DMSWKITTA)



Dimensions: INCHES [mm]

Learn more at [Tripplite.Eaton.com](https://Tripplite.Eaton.com)