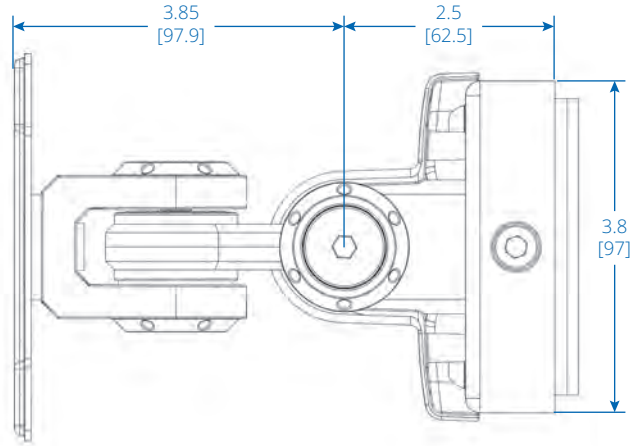
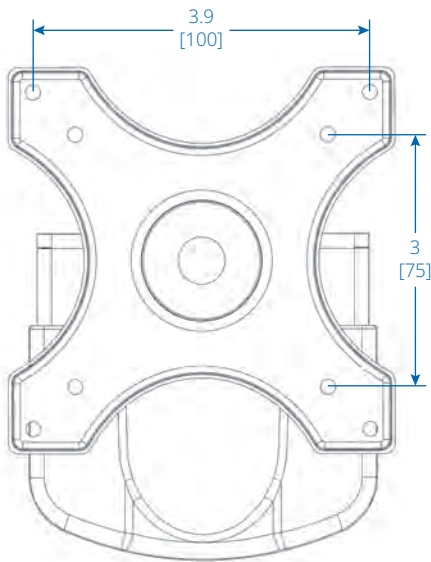


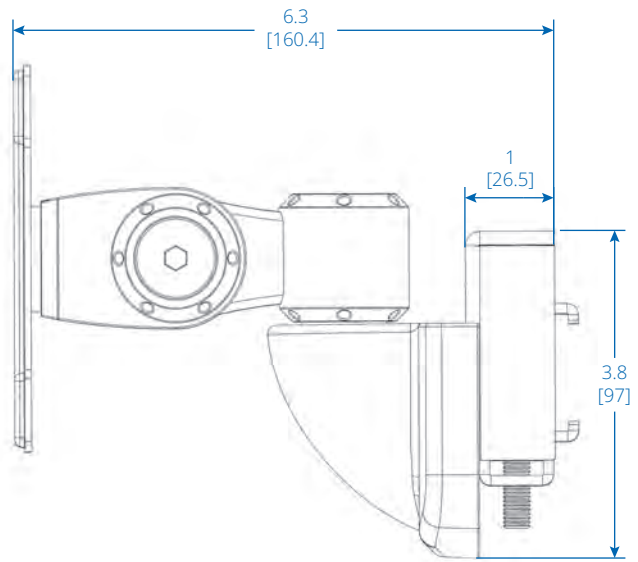
# Monitor Mount for Slat Wall System (DMSW1332STAA)



TOP VIEW



FRONT VIEW



SIDE VIEW

Dimensions: INCHES [mm]

Learn more at [Tripplite.Eaton.com](https://Tripplite.Eaton.com)