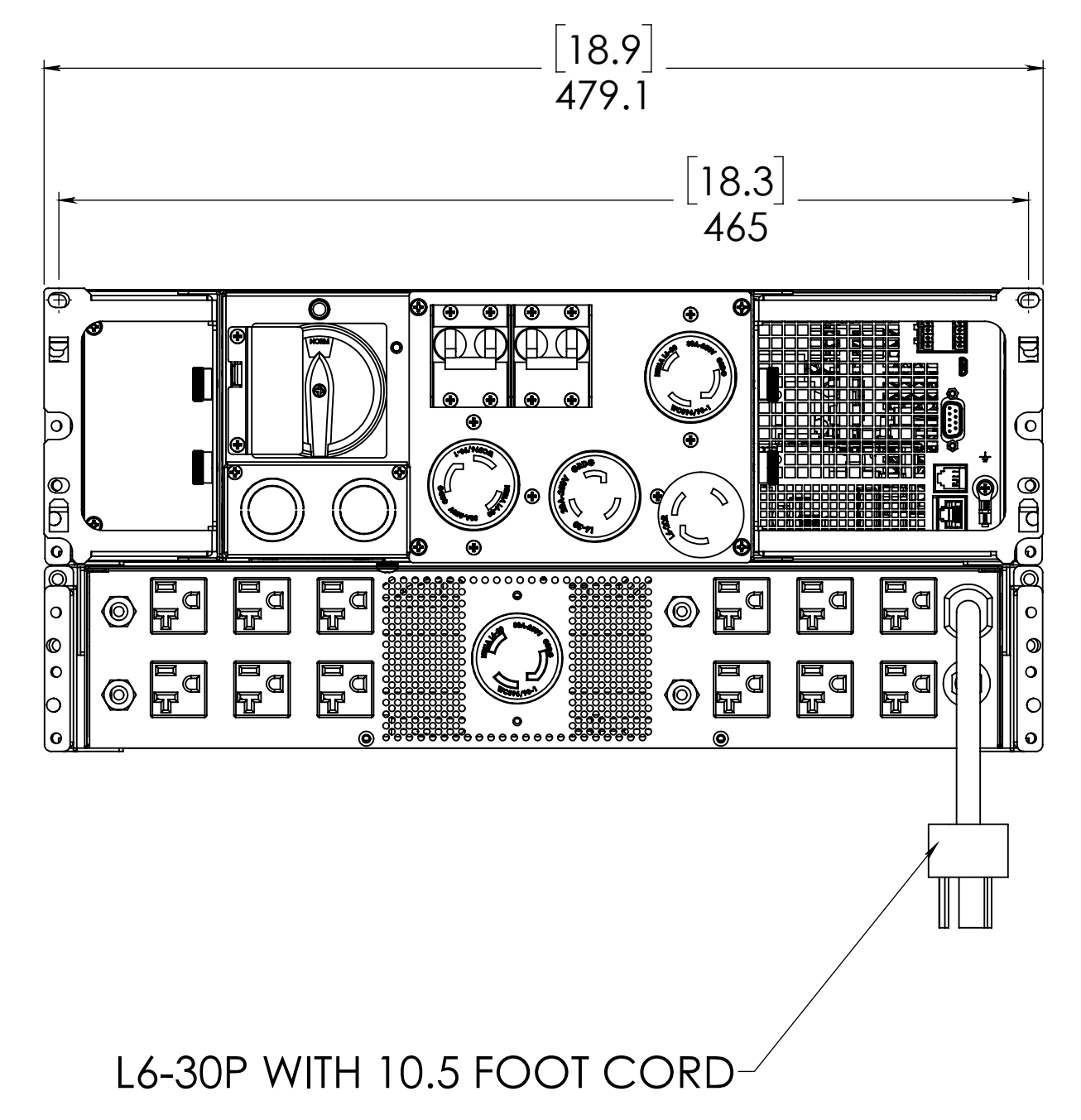
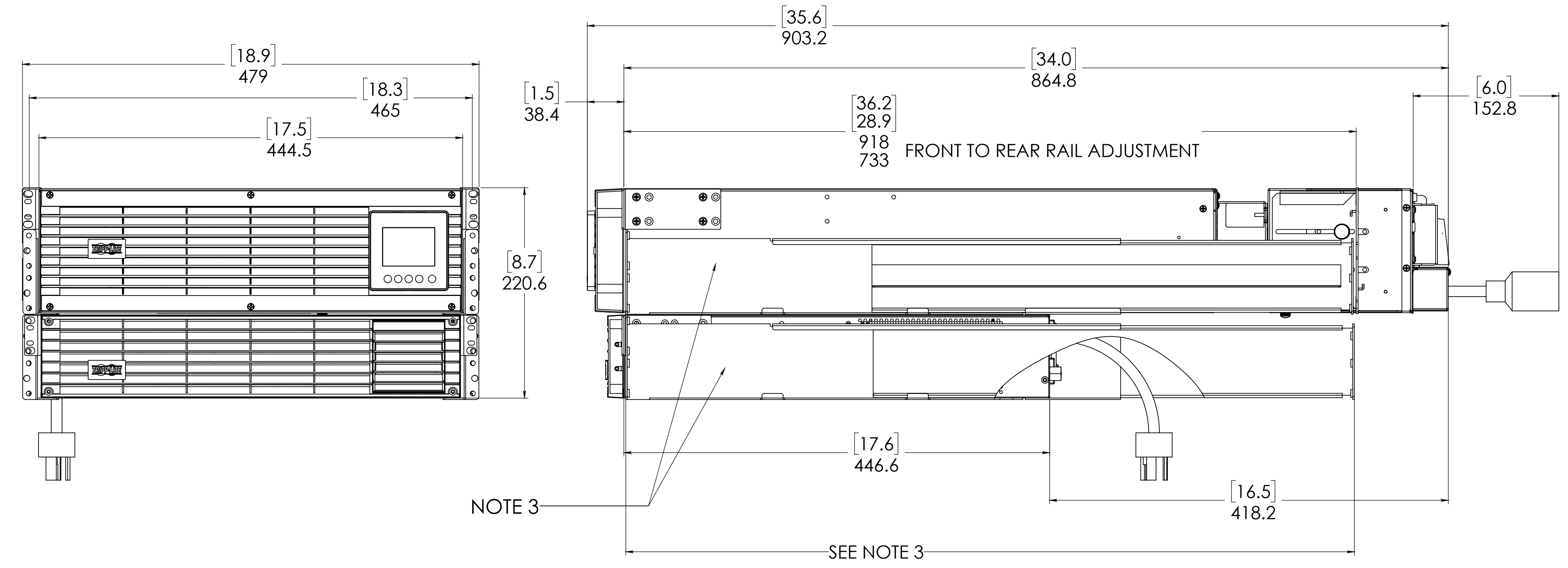


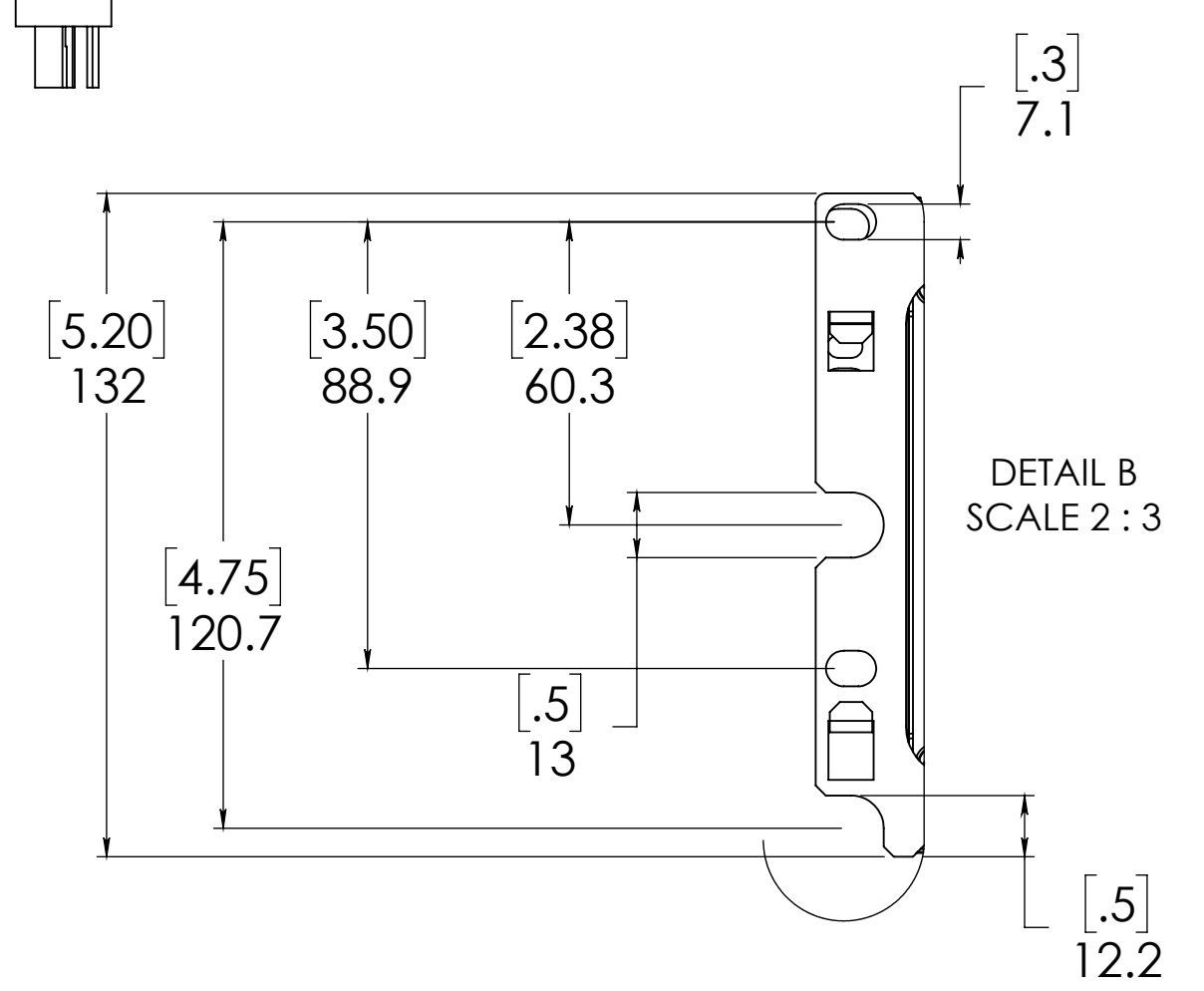
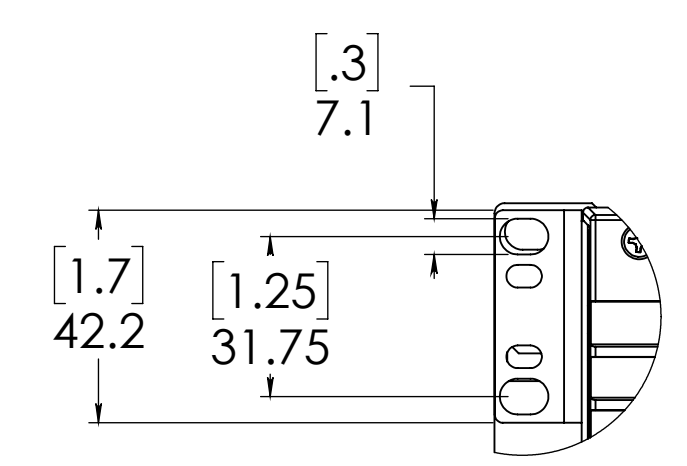
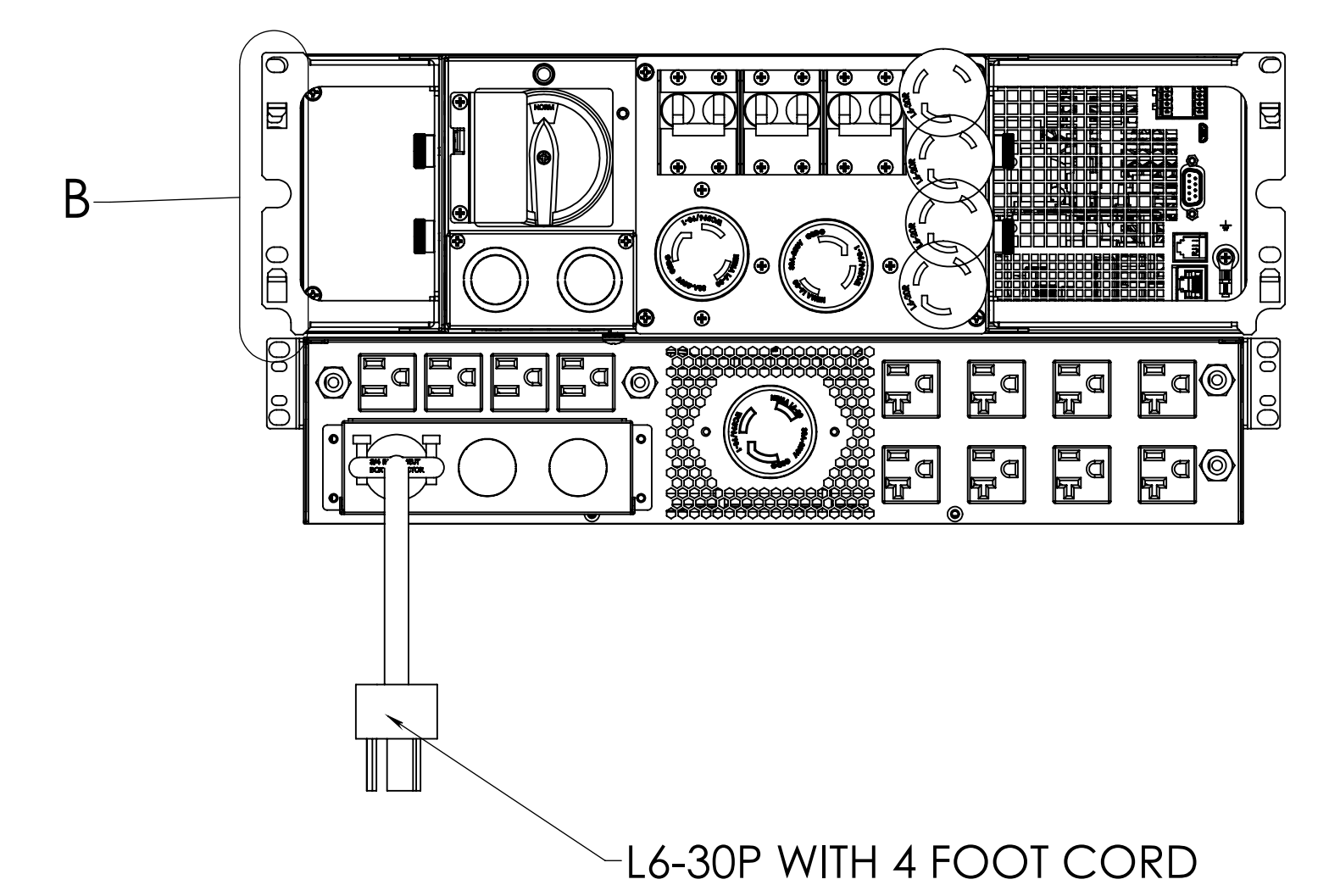
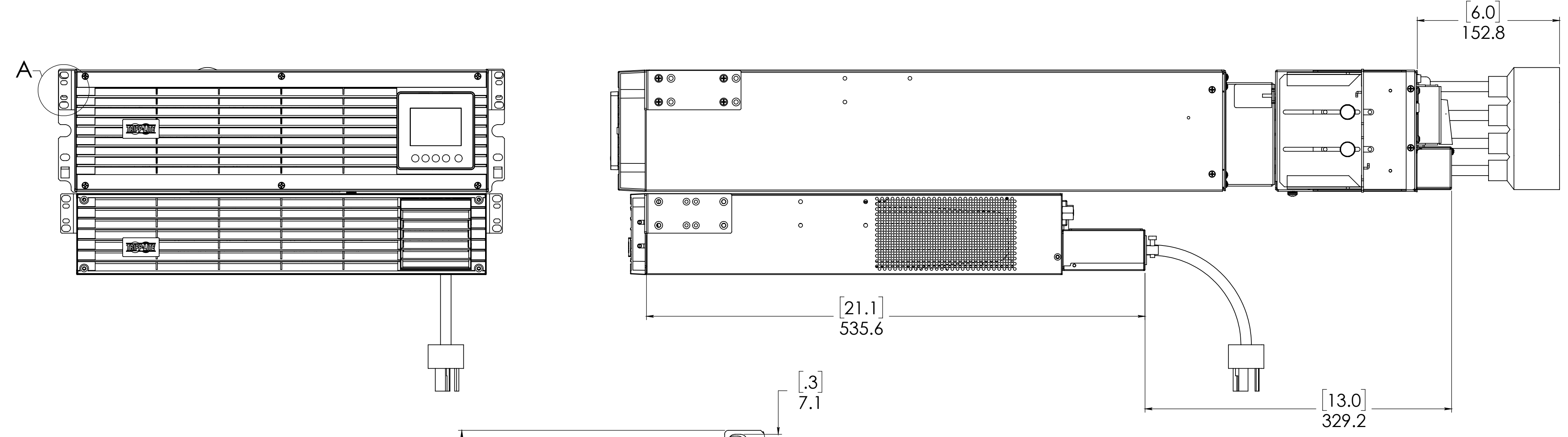
THE INFORMATION CONTAINED IN THIS DRAWING IS THE SOLE PROPERTY OF TRIPPE MANUFACTURING. ANY REPRODUCTION IN PART OR WHOLE WITHOUT THE WRITTEN PERMISSION OF TRIPPE MANUFACTURING IS PROHIBITED.

REV.	DESCRIPTION	REVISIONS	DATE	REVISED BY
A	INITIAL RELEASE		06/17/20	KMH

SU5KRT3UTFMB



SU6KRT3UTFMB



- NOTES:
1. DIMENSIONS IN MILLIMETERS [INCHES]
 2. DIMENSIONS SAME FOR ALL 5K OR 6K COMBINATIONS, UNLESS OTHERWISE SPECIFIED.
 3. EACH UNIT COMES WITH ONE 4 POST RAIL MOUNTING KIT. THE ADJUSTABLE RANGE ON THE 4 POST RAIL MOUNTING KIT IS 20.5-36 INCHES [520-914.4MM]

UNLESS OTHERWISE SPECIFIED DIMENSIONS ARE IN INCHES TOLERANCES ARE:		CAD GENERATED DRAWING DO NOT MANUALLY UPDATE		TRIPPE MANUFACTURING COMPANY 1111 WEST 35TH STREET CHICAGO, IL 60659	
MILLIMETER TOLERANCES ARE:		DRAWING APPROVALS		DATE	
DECIMALS: .4 .5 .6 .7 .8 .9 .005		KMH		06/11/20	
ANGLES: ±.5		CHECKED			
THIRD ANGLE PROJECTION		ELECT. ENG.			
MATERIAL		MFG. ENG.			
FINISH		QUAL. ENG.			
DO NOT SCALE DRAWING		SCALE		1:3	
		DWG. NO.		912391	
		REV.		A	
		SHEET		1 OF 1	