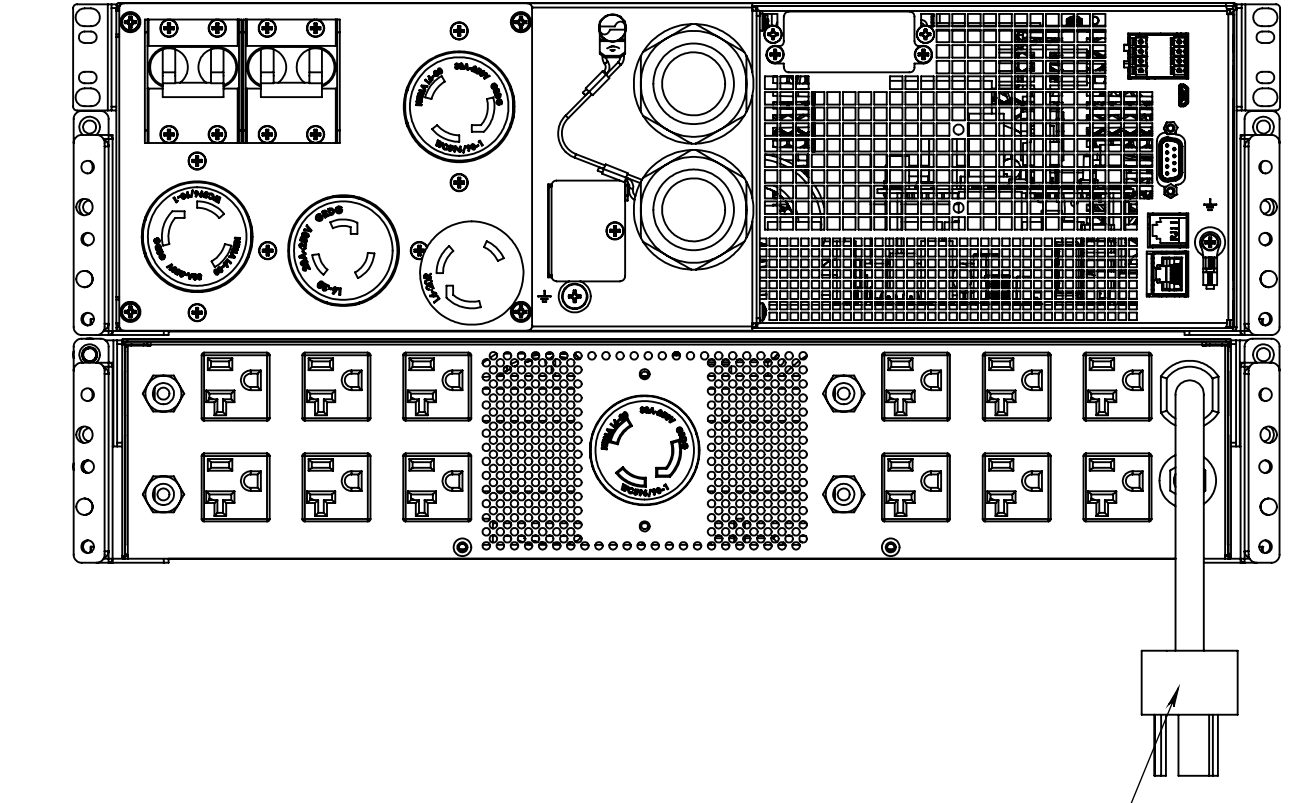
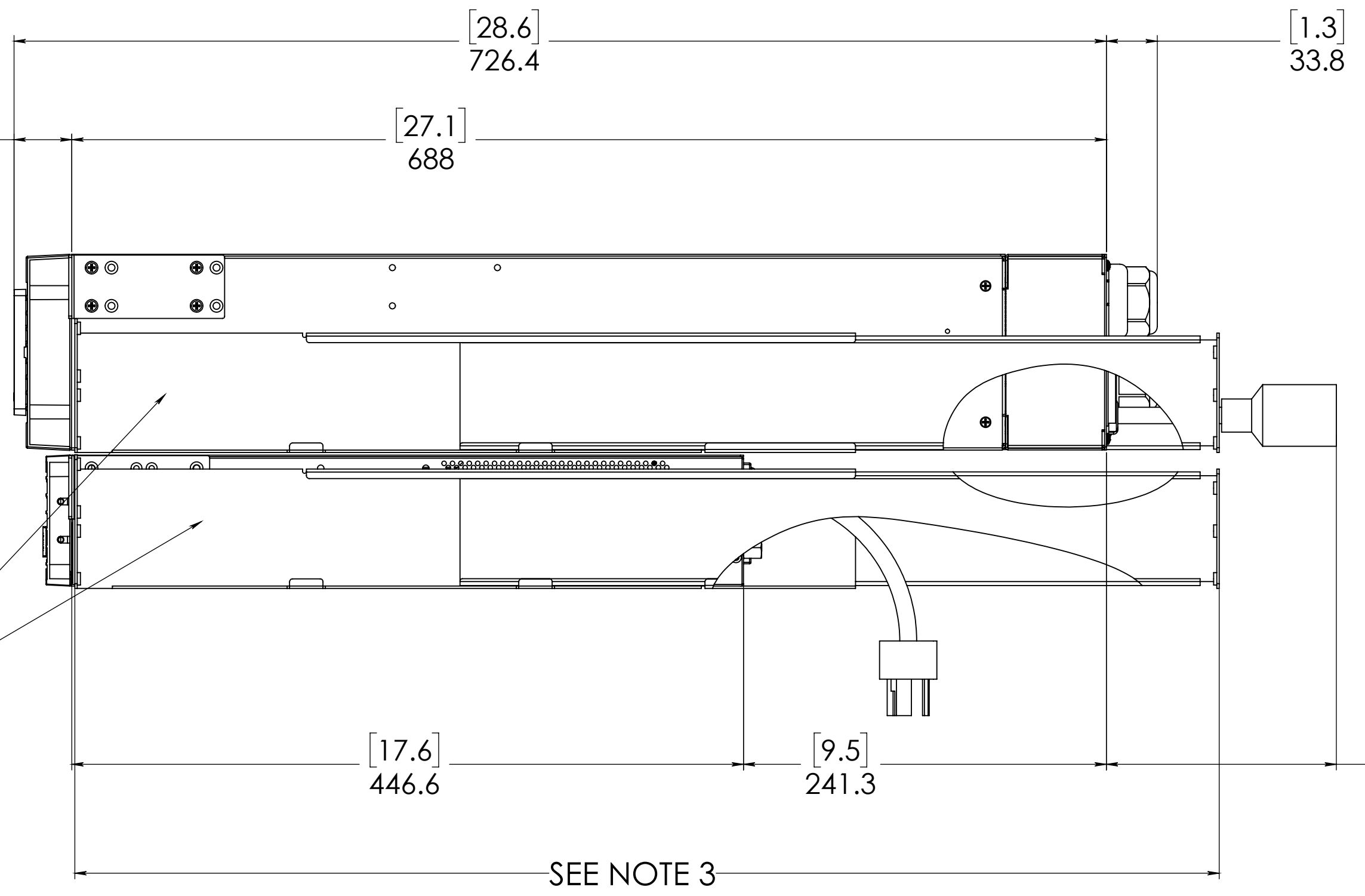
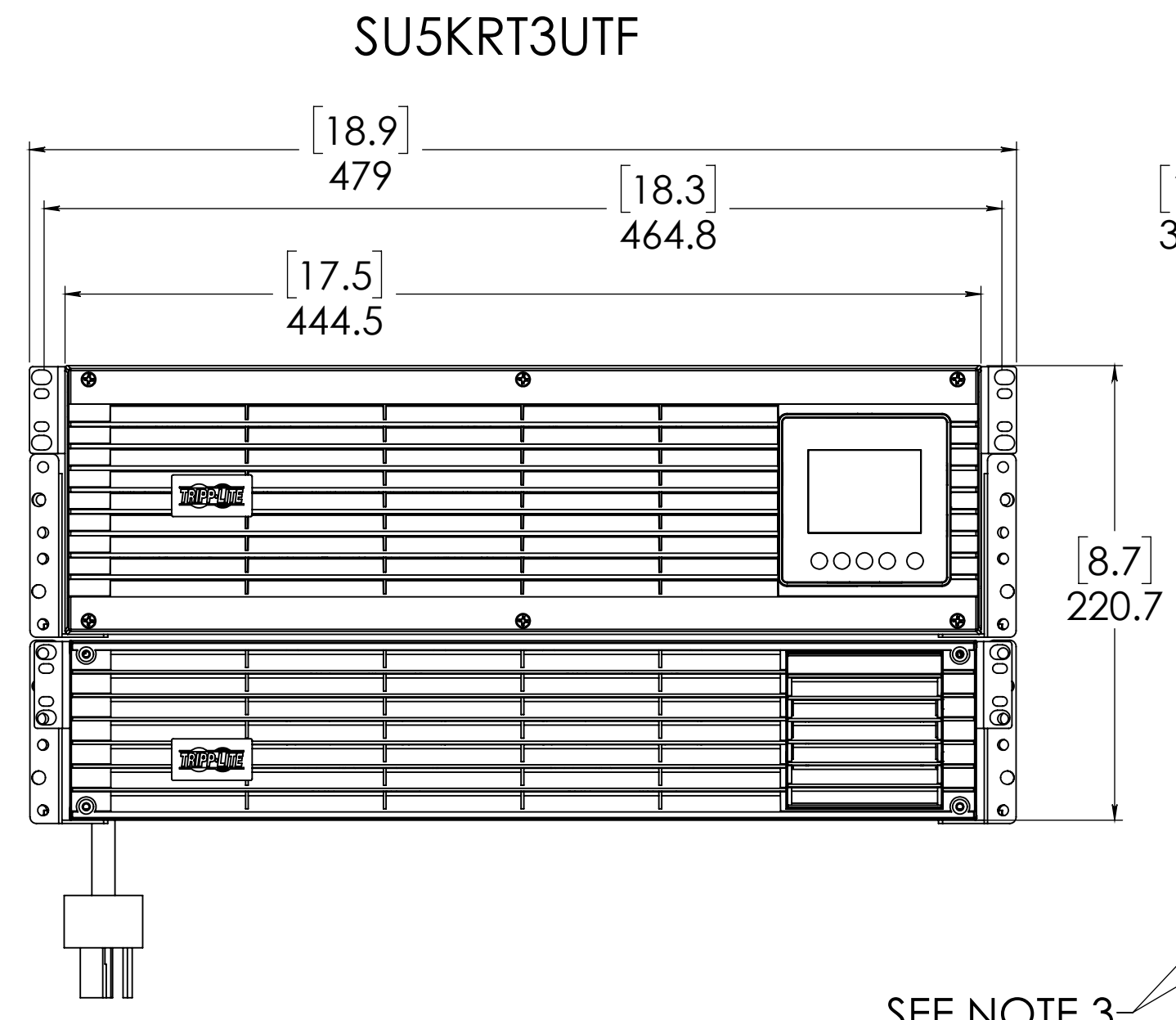


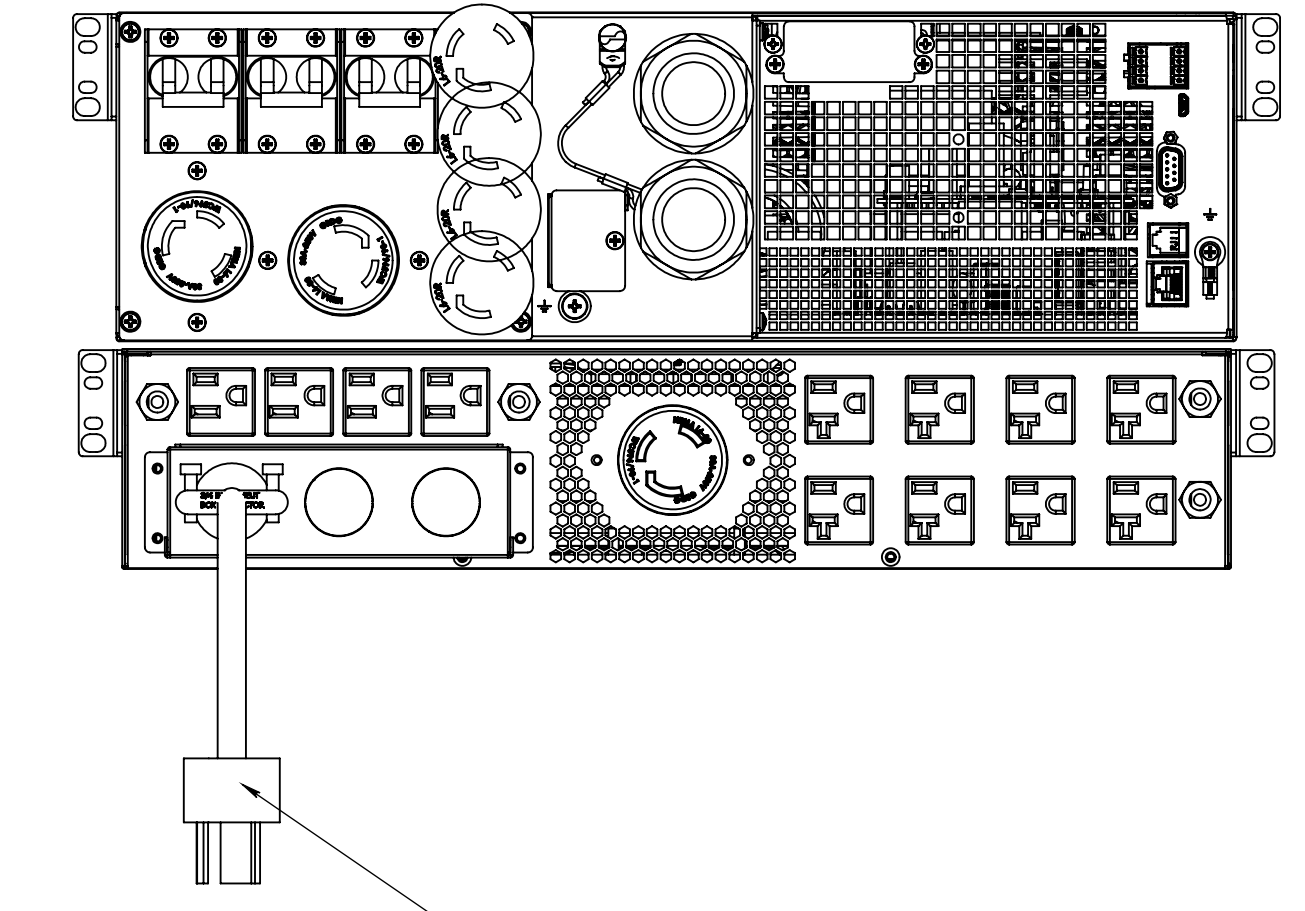
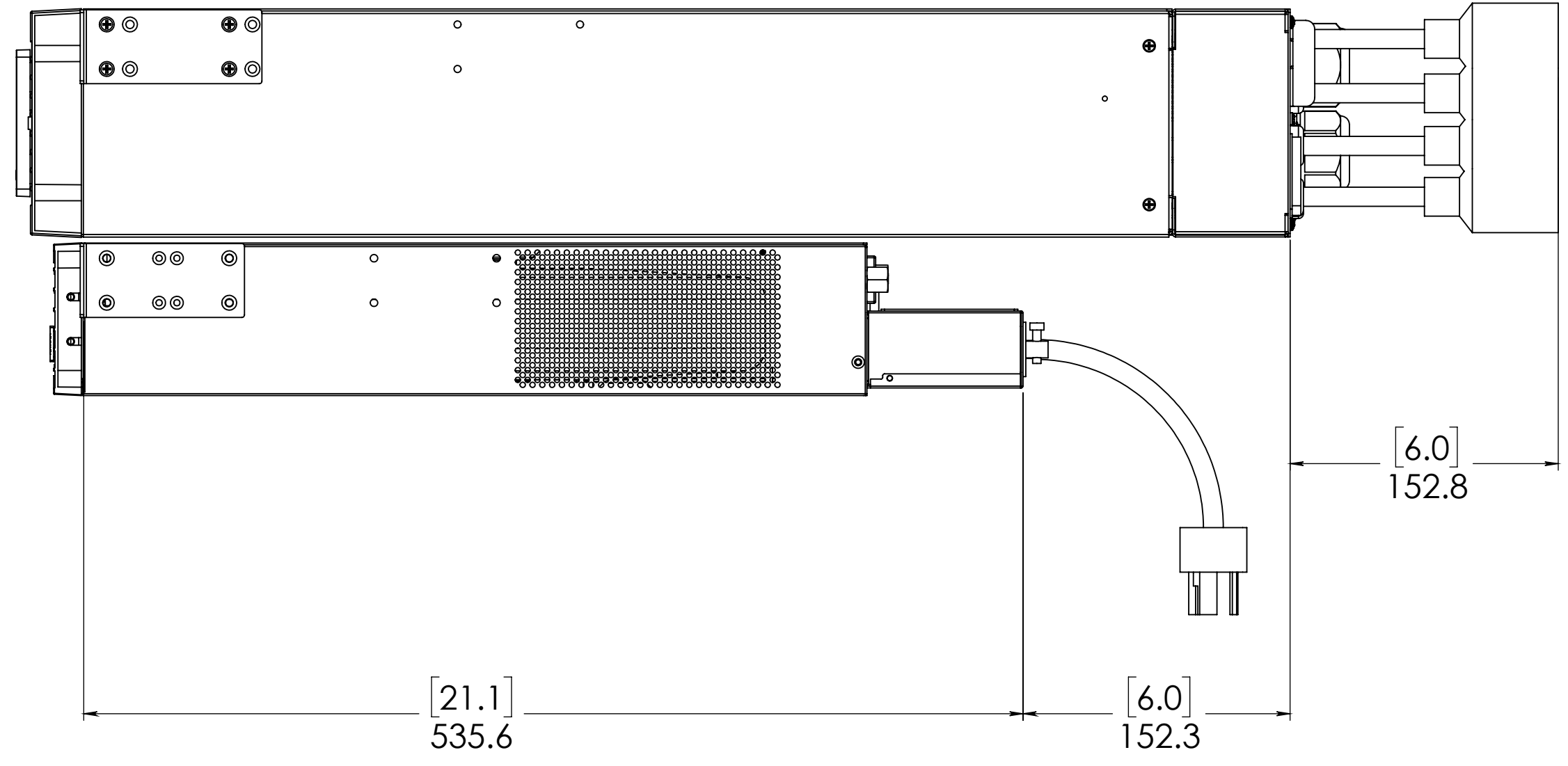
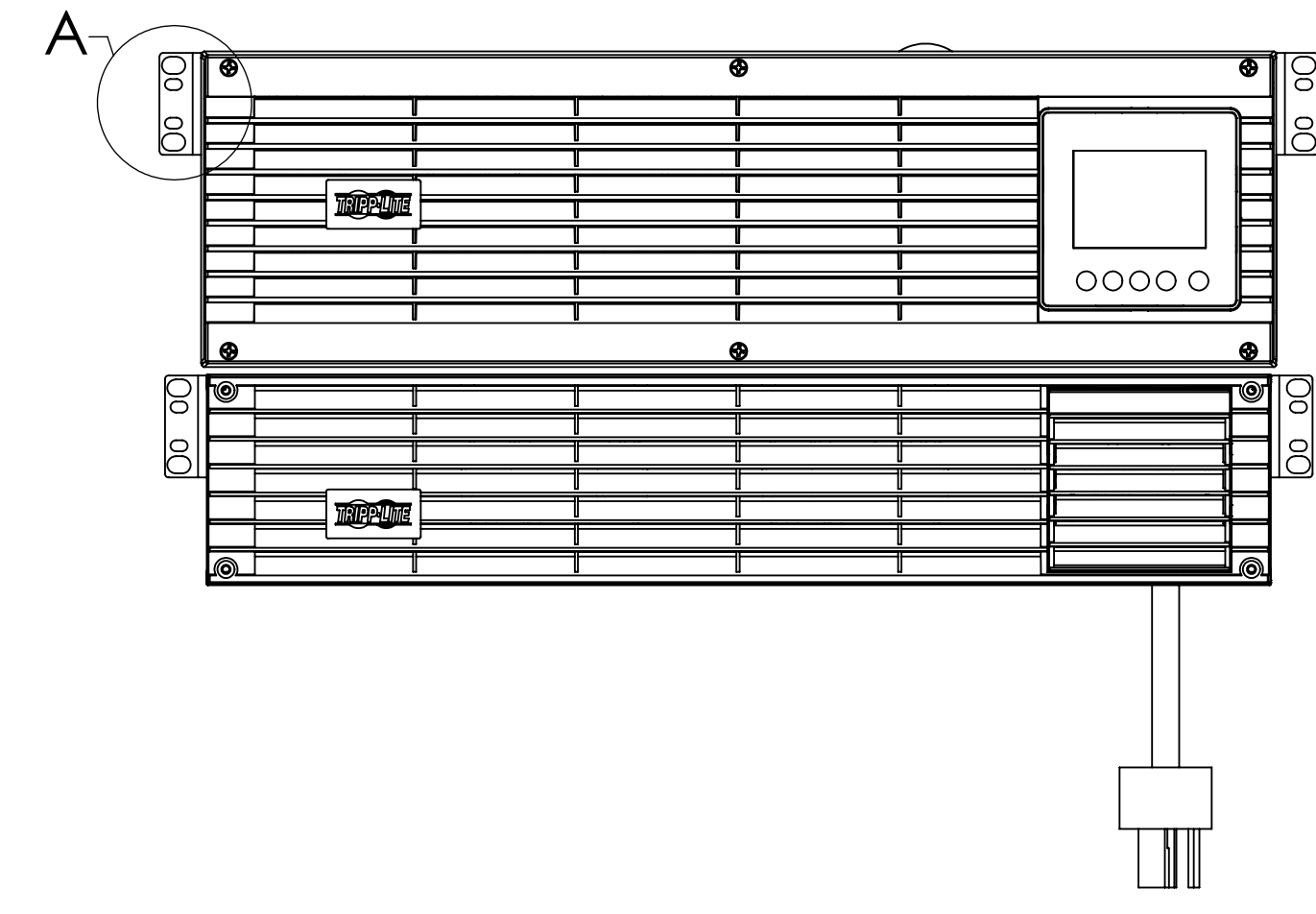
THE INFORMATION CONTAINED IN THIS DRAWING IS THE SOLE PROPERTY OF TRIPPE MANUFACTURING. ANY REPRODUCTION IN PART OR WHOLE WITHOUT THE WRITTEN PERMISSION OF TRIPPE MANUFACTURING IS PROHIBITED.

REV.	DESCRIPTION	REVISIONS	DATE	REVISED BY
A	INITIAL RELEASE		06/17/20	KMH

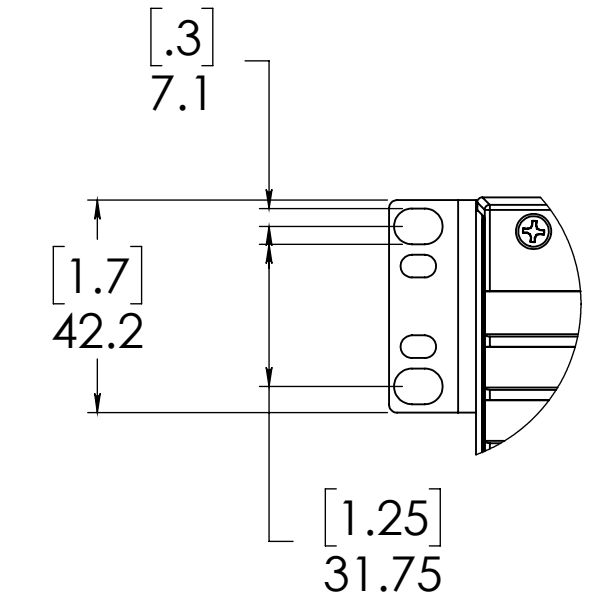


L6-30P WITH 10.5 FOOT CORD

SU6KRT3UTF



L6-30P WITH 4 FOOT CORD



DETAIL A  
SCALE 2:3

NOTES:

1. DIMENSIONS IN MILLIMETERS [INCHES]
2. DIMENSIONS SAME FOR ALL 5K OR 6K COMBINATIONS, UNLESS OTHERWISE SPECIFIED.
3. EACH UNIT COMES WITH ONE 4 POST RAIL MOUNTING KIT. THE ADJUSTABLE RANGE ON THE 4 POST RAIL MOUNTING KIT IS 20.5-36 INCHES [520-914.4MM]

UNLESS OTHERWISE SPECIFIED DIMENSIONS ARE IN INCHES TOLERANCES ARE: DECIMALS: .5 .4 .3 .2 .1 .050 FRACTIONS: 1/8 1/16 1/32 1/64 1/128 ANGLES: ±.5		CAD GENERATED DRAWING DO NOT MANUALLY UPDATE		TRIPPE MANUFACTURING COMPANY 1111 WEST 35th STREET CHICAGO, IL 60659	
MILLIMETER TOLERANCES ARE: DECIMALS: ±.4 .3 .2 .1 .050 ANGLES: ±.5		APPROVALS DRAWN: KMH CHECKED: KMH ELECT. ENG. MFG. ENG. QUAL. ENG.		DATE 06/11/20	
THIRD ANGLE PROJECTION		MATERIAL		SUBMITTAL DRAWING, POWER MODULE, AND TRANSFORMER	
DO NOT SCALE DRAWING		FINISH		SEE DWG. NO. 912393	
				SCALE: 1:3	
				SHEET 1 OF 1	