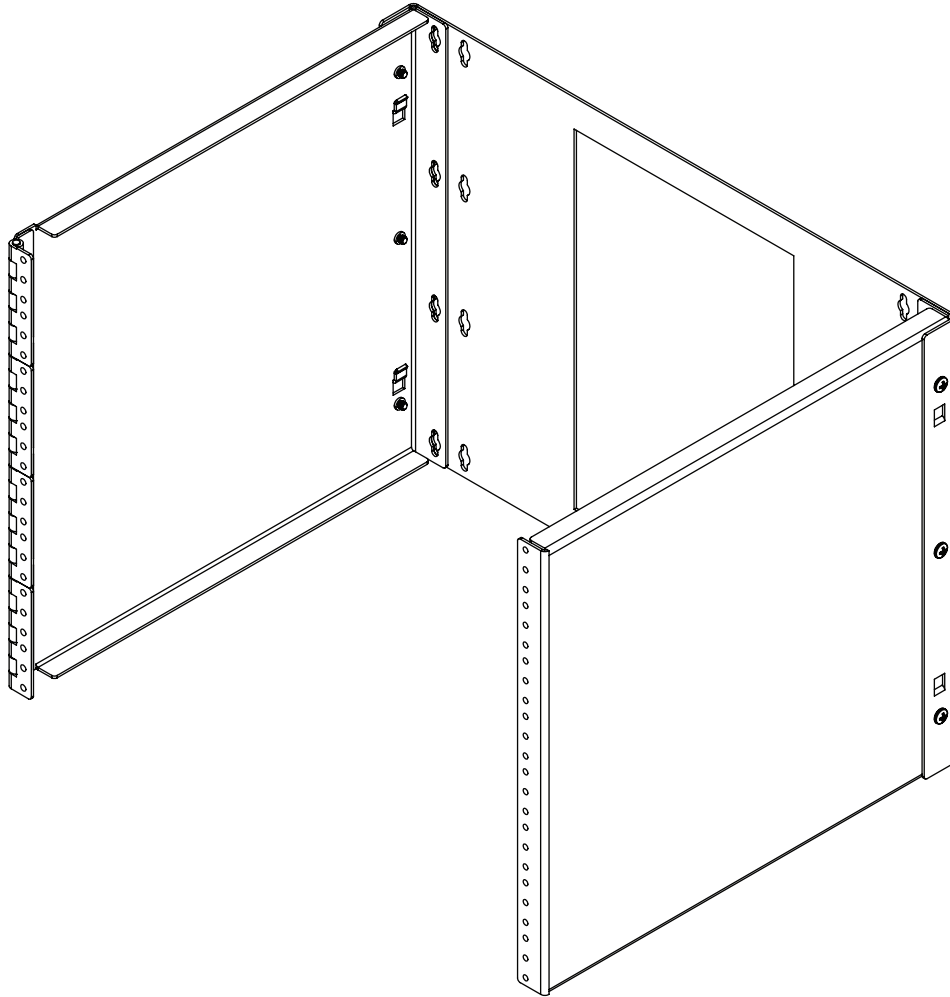


MODEL:

SRW08UBRKT

8U Hinged Wall-Mount Bracket



- 8U wall-mount bracket houses 19 in. rack equipment up to 15 in. deep, such as network switches and patch panels
- Steel construction with smooth laser-cut edges that won't damage cable jackets
- Hinged to allow unrestricted access to equipment and cabling from either left or right side
- Maximum load capacity: 40 lb.

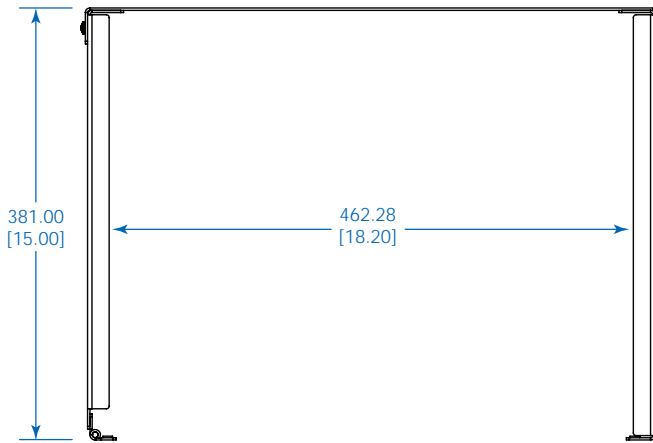
SEE NEXT PAGE FOR DETAILED UNIT MEASUREMENTS

Specifications

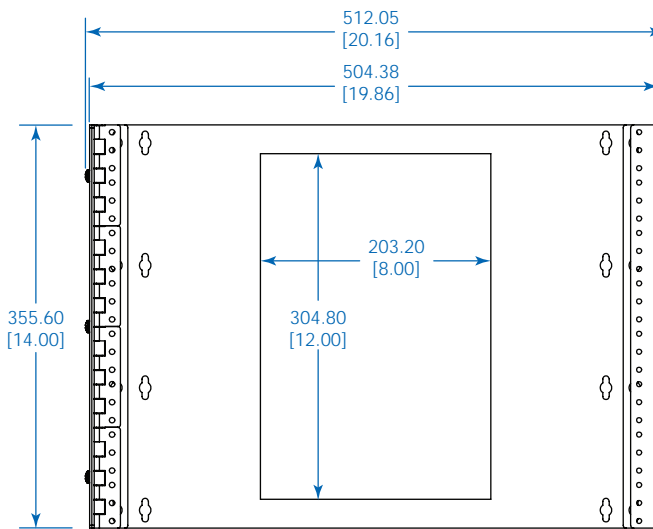
Model	SRW08UBRKT
Rack SpUnit Dimensions (H x W x D)	14 x 19.7 x 15 in. / 35.6 x 50 x 38.1 cm
Unit Weight	11 lb. / 5 kg
Weight Capacity	35 lb. / 16 kg
Maximum Device Depth	15 in. / 38.1 cm
Standards	EIA-310-D, IEC 60297-3-100, RoHS



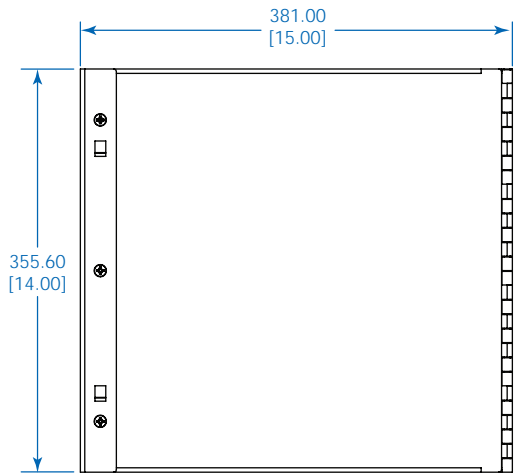
1111 W. 35th Street
Chicago, IL 60609 USA
773.869.1234
www.tripplite.com



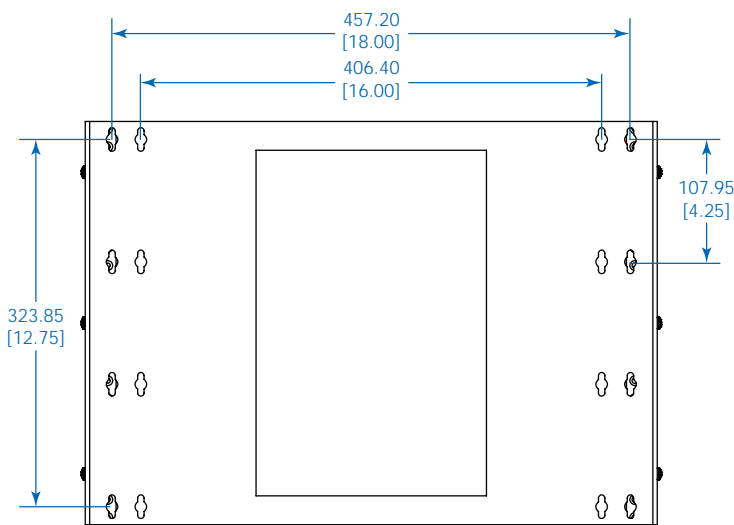
TOP VIEW



FRONT VIEW



SIDE VIEW



BACK VIEW

Dimensions: mm [INCHES]

Tripp Lite has a policy of continuous improvement. Specifications are subject to change without notice.

MODEL:
SRW08UBRKT

1111 W. 35th Street
Chicago, IL 60609 USA
773.869.1234
www.tripplite.com