

MODEL:

SRWF4U

SmartRack® Low-Profile Wall-Mount Rack Enclosure Cabinet



4 Rack Units



2U Patch Panel Bracket



150 lb. Load Rating



Sturdy Steel Construction



Locking Door and Top Panel



Standard 19" Rack Width



Convenient Cable Access



Adjustable Mounting Rails



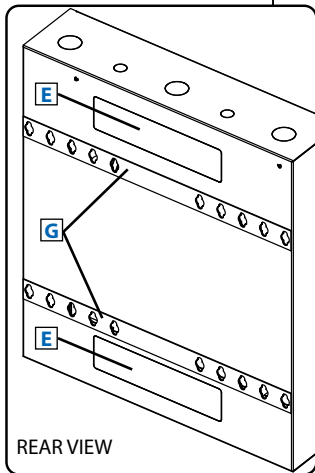
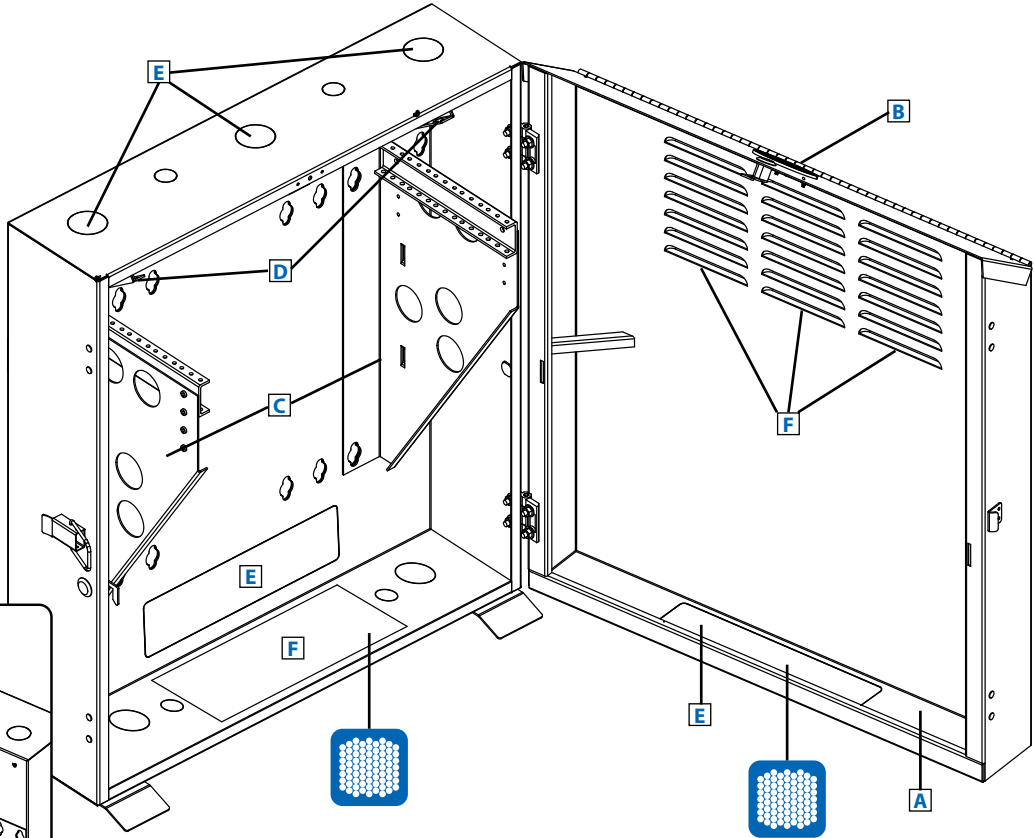
Ventilated for Ample Airflow



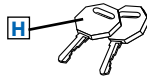
Reversible Door

- A** Front Door (Lockable/Reversible)
- B** Top Panel Door (Lockable)
- C** 4U Vertical Mounting Brackets (Adjustable/Reversible)
- D** 2U Slide-Out Patch Panel Mounting Brackets
- E** Cable Access Holes
- F** Vents
- G** Wall-Mounting Slots
- H** Keys

Also Includes: Owner's manual and rack-mount equipment mounting hardware (12 M6 screws, 12 M6 cup washers and 12 12-24 screws).



REAR VIEW



- Wall-mount enclosures provide convenient, locking storage for rack-mount IT devices and other equipment that should be off the floor, out of the way and secure
- Low-profile design with vertical equipment mounting is ideal for back office or network closet applications where space is limited



Specifications

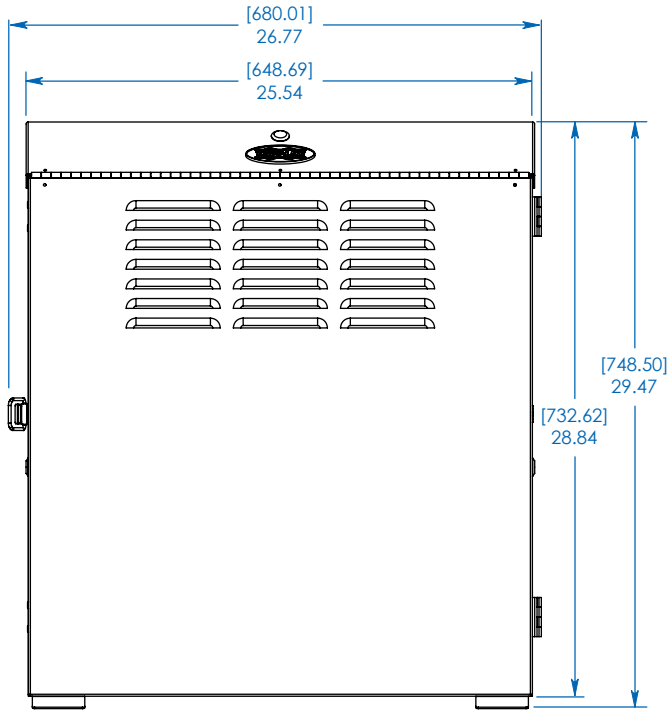
Model	SRWF4U
Rack Spaces	4U
Equipment Mounting Depth	Up to 20 in. / 508 mm
Load Rating*	150 lb. / 68 kg
Unit Dimensions (H x W x D)	28.8 x 25.6 x 8.4 in. / 732 x 650 x 215 mm
Shipping Dimensions (H x W x D)	34.25 x 31.1 x 13.38 in. / 870 x 790 x 340 mm
Unit Weight	60.18 lb. / 27 kg
Shipping Weight	66.13 lb. / 30 kg
Standards	Tested to EIA-310-E, NOM, RoHS, PCI-DSS

* The load rating includes the combined weight of the unit and installed equipment. The unit must be mounted to a stable surface with user-supplied anchors capable of bearing the full load.

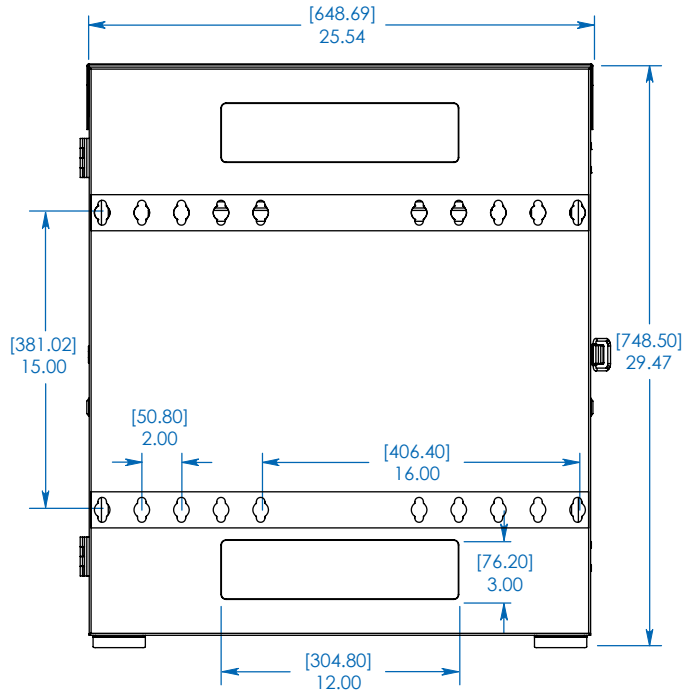
SEE NEXT PAGE FOR DETAILED UNIT MEASUREMENTS



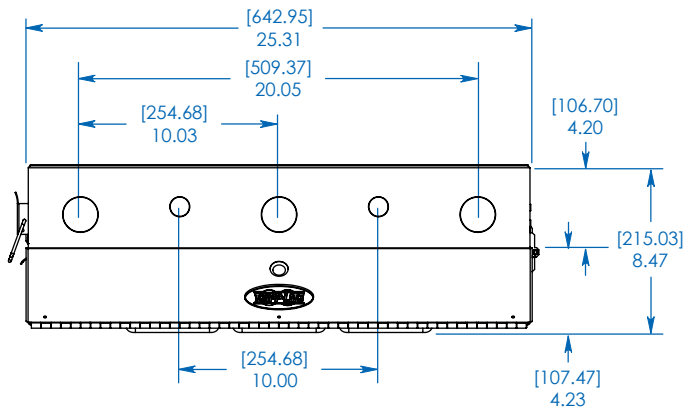
1111 W. 35th Street
Chicago, IL 60609 USA
773.869.1234
www.tripplite.com



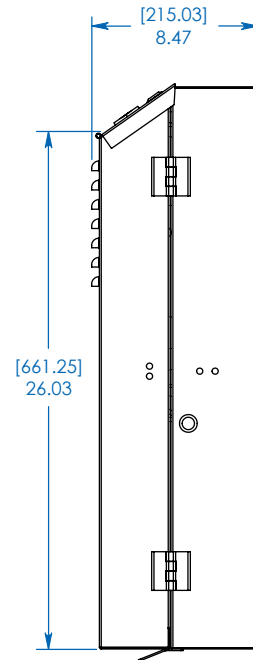
FRONT VIEW



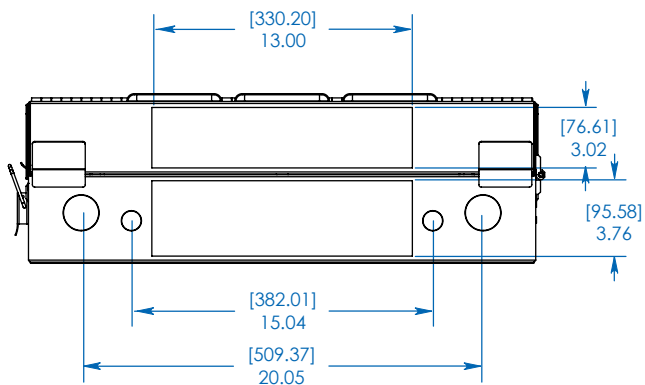
REAR VIEW



TOP VIEW



SIDE VIEW



BOTTOM VIEW

MODEL:
SRWF4U

1111 W. 35th Street
 Chicago, IL 60609 USA
 773.869.1234
 www.tripplite.com

Dimensions: [mm] INCHES

Tripp Lite has a policy of continuous improvement. Specifications are subject to change without notice.