

MODELS:

SRW18USDP / SRW18USDPG

SmartRack® Wall-Mount UPS-Depth Rack Enclosure Cabinet



18 Rack Units



250 lb.
Load Rating



Sturdy Steel
Construction



Locking Doors
& Side Panels



Clear Acrylic
Front Window
(SRW18USDPG only)



Hinged Wall
Bracket



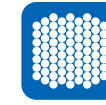
Standard
19" Rack Width



Convenient
Cable Access



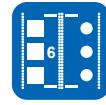
Adjustable
Mounting Rails



Ventilated
Front Panel



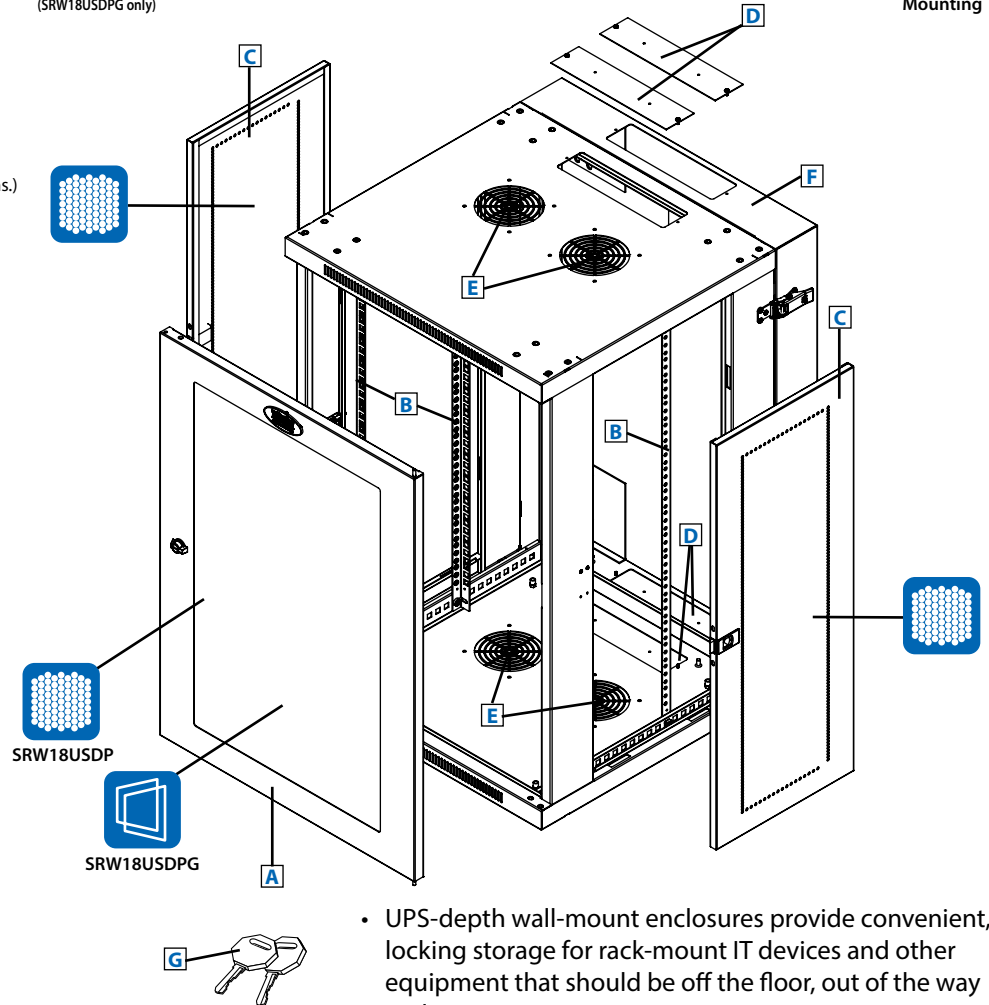
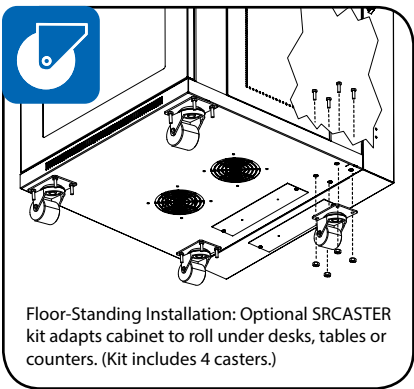
Reversible
Cabinet



Square/
Threaded Hole
Mounting

- A** Front Door
(Lockable/Removable/Reversible.
SRW18USDP door is perforated;
SRW18USDPG door has a clear acrylic window.)
- B** Adjustable Mounting Rails (4)
(Support square and threaded hole mounting options.)
- C** Side Panels (2)
(Lockable/Removable)
- D** Cable Access Port Covers (4)
(Removable)
- E** Ventilation Fan Ports (4)
(Support optional SRFANWM fan kit.)
- F** Hinged Wall Bracket
- G** Keys (2)

Also Includes: Owner's manual, cabinet ground screw, pre-installed front door ground wire and rack-mount equipment mounting hardware (42 cage nuts, 42 M6 mounting screws, 42 #12-24 x 5/8" mounting screws, 42 nylon cup washers).



- UPS-depth wall-mount enclosures provide convenient, locking storage for rack-mount IT devices and other equipment that should be off the floor, out of the way and secure
- The cabinet is fully reversible, allowing installers to change door hinges from left to right by simply rotating the unit 180 degrees before mounting
- Hinged wall bracket allows cabinet to swing away from the wall for convenient access to equipment and cabling

SEE NEXT PAGE FOR DETAILED UNIT MEASUREMENTS

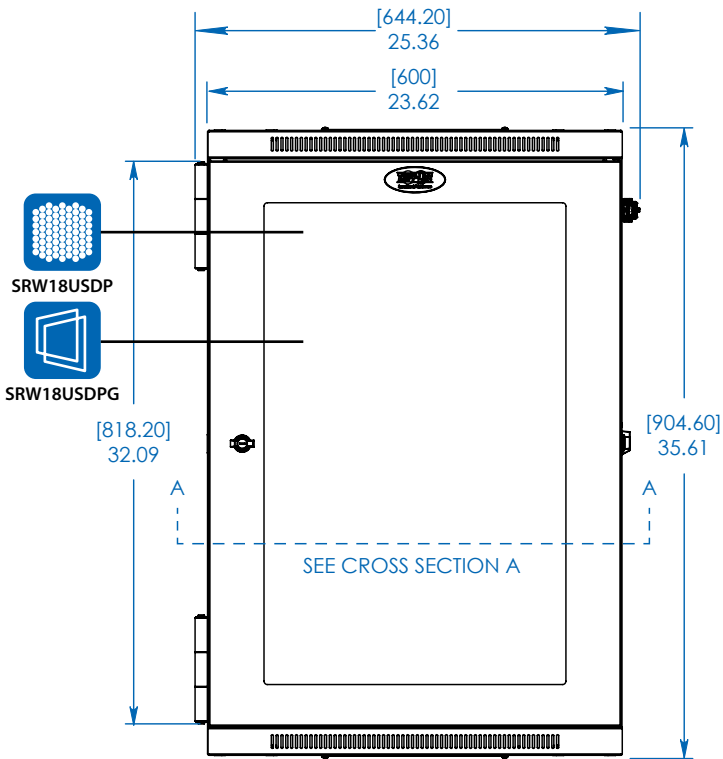
Specifications

| | |
|--------------------------------|---|
| Model | SRW18USDP / SRW18USDPG |
| Rack Spaces | 18U |
| Equipment Mounting Depth | Up to 24.5 in. / 622 mm |
| Load Rating* | 250 lb. / 113 kg |
| Unit Dimensions (H x W x D) | 35.61 x 23.5 x 25.98 in. / 905 x 597 x 660 mm |
| Shipping Dimension (H x W x D) | 40.95 x 26.77 x 27.56 in. / 1040 x 680 x 700 mm |
| Unit Weight | 100.9 lb. / 46 kg (SRW18USDP) 99.6 lb. / 45 kg (SRW18USDPG) |
| Standards | Tested to UL/CSA 60950-1, IEC 60297-3-100, RoHS, NOM (Mexico), EIA/ECA-310-E, GOST; PCI Compliant, IP20 Protection Rating |

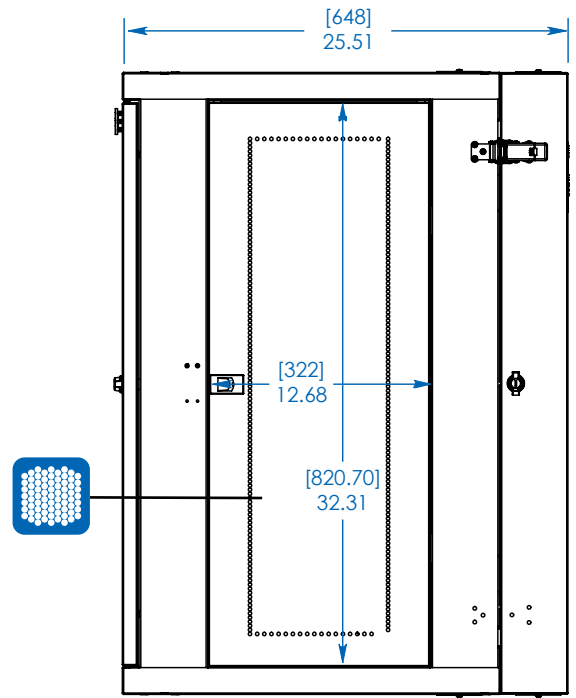
* The load rating includes the combined weight of the unit and installed equipment. The unit must be mounted to a stable surface with user-supplied anchors capable of bearing the full load.



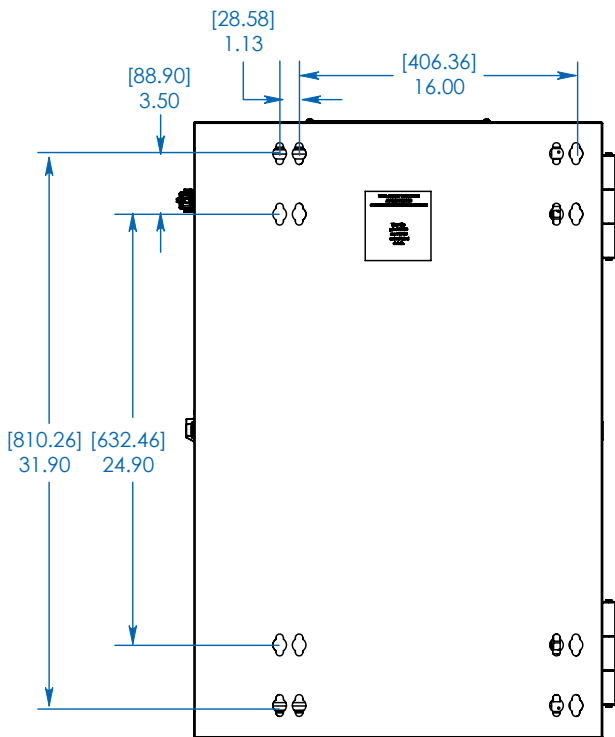
1111 W. 35th Street
Chicago, IL 60609 USA
773.869.1234
www.tripplite.com



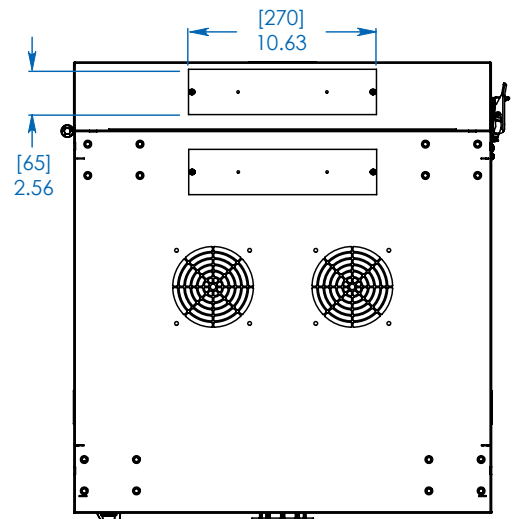
FRONT VIEW



SIDE VIEW



REAR VIEW



TOP/BOTTOM VIEW

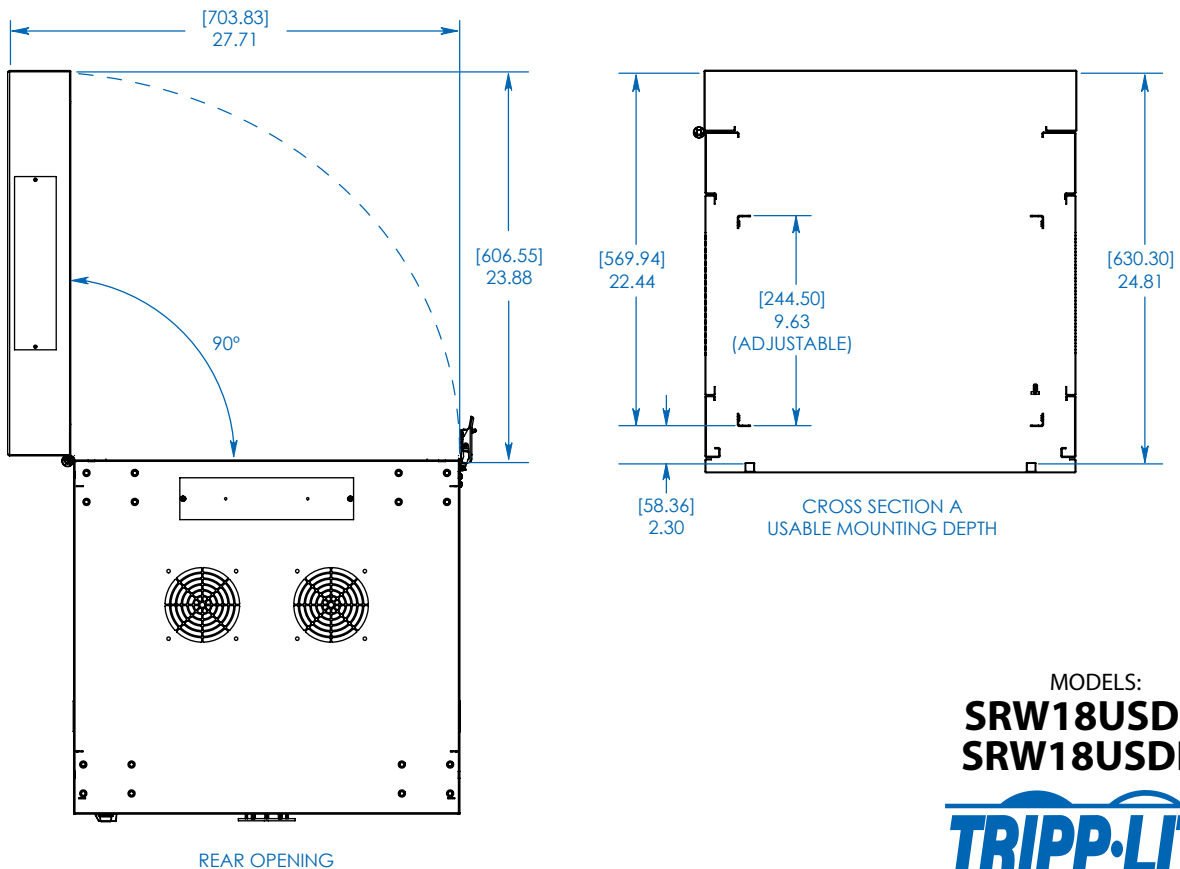
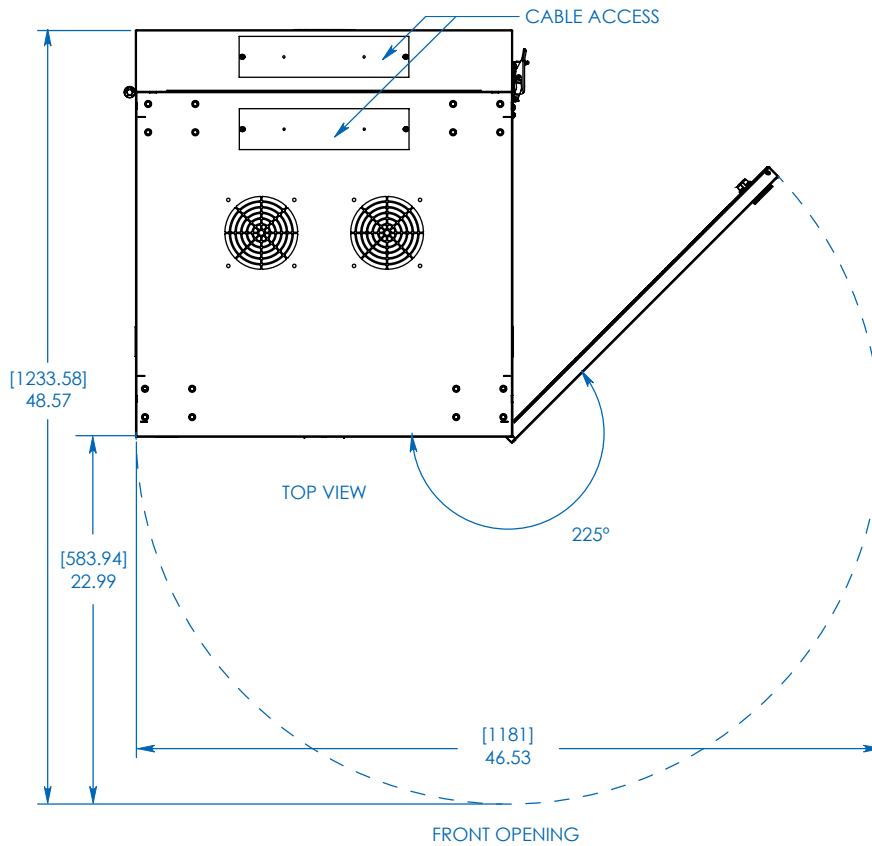
MODELS:

**SRW18USDP /
SRW18USDPG**



Dimensions: [mm] INCHES

Tripp Lite has a policy of continuous improvement. Specifications are subject to change without notice.



MODELS:
**SRW18USDP /
SRW18USDPG**



1111 W. 35th Street
Chicago, IL 60609 USA
773.869.1234

www.tripplite.com

Dimensions: [mm] INCHES

Tripp Lite has a policy of continuous improvement. Specifications are subject to change without notice.