

MODEL:

SRQP42UB

SmartRack® Standard-Depth Quiet Server Rack Enclosure Cabinet with Sound Suppression



42 Rack Units



2400 lb.
Stationary
Load Rating



2000 lb.
Rolling
Load Rating



Heavy-Duty
Casters



Locking Doors
& Side Panels



Standard 19-inch
Rack Width



Toolless
Mounting Slots



Adjustable
Rails with
Easy-View
Depth Index



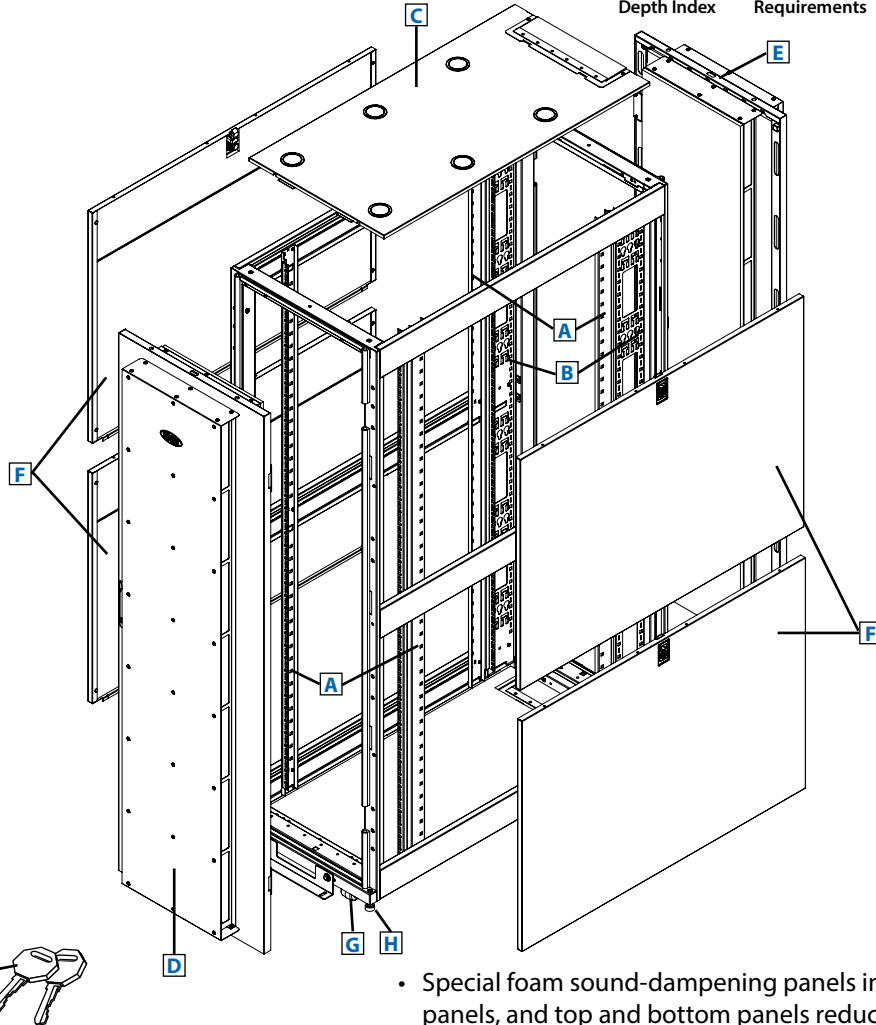
Airflow Meets or
Exceeds
Server OEM
Requirements



Square Hole
Mounting

- A** Adjustable Mounting Rails (4)
- B** Adjustable PDU Mounting Rails with Toolless Mounting Slots (2)
- C** Roof Panel with Foam Sound-Dampening Baffles (Removable)
- D** Front Door with Foam Sound-Dampening Baffles (Lockable/Removable/Reversible)
- E** Rear Door with Foam Sound-Dampening Baffles (Lockable/Removable/Reversible)
- F** Side Panels with Foam Sound-Dampening Baffles (4) (Lockable/Removable)
- G** Heavy-Duty Casters (4)
- H** Heavy-Duty Levelers (4)
- I** Keys (For doors and side panels.)

Also Includes: Owner's manual, 2 stabilizing brackets and rack-mount equipment mounting hardware (50 cage nuts, 50 mounting screws, 50 nylon cup washers).



- Special foam sound-dampening panels in doors, side panels, and top and bottom panels reduce external acoustic levels caused by connected equipment
- Ships ready for rapid deployment, but can be knocked down for easy reassembly in confined spaces
- Modular design optimized for quick configuration and reconfiguration

SEE NEXT PAGE FOR DETAILED UNIT MEASUREMENTS

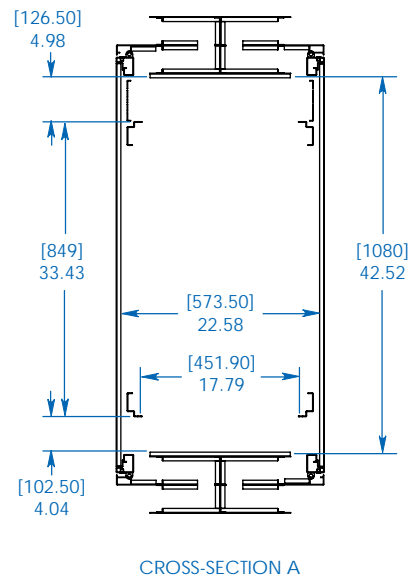
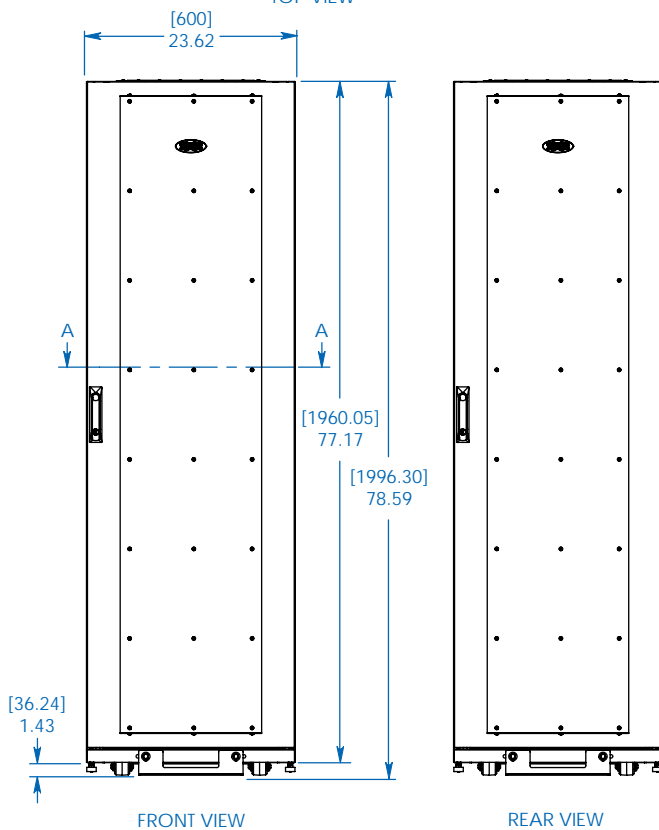
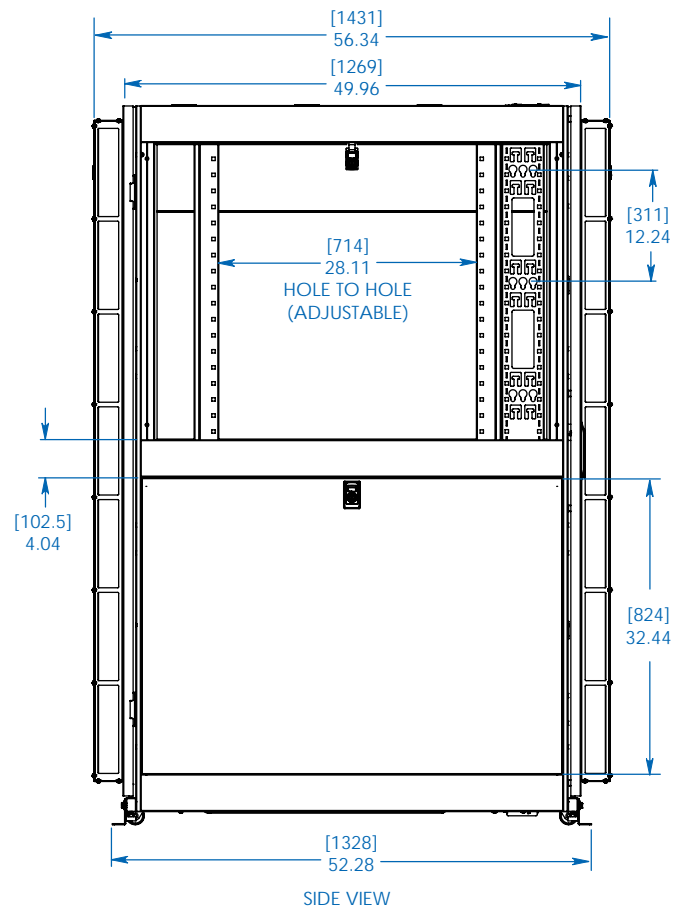
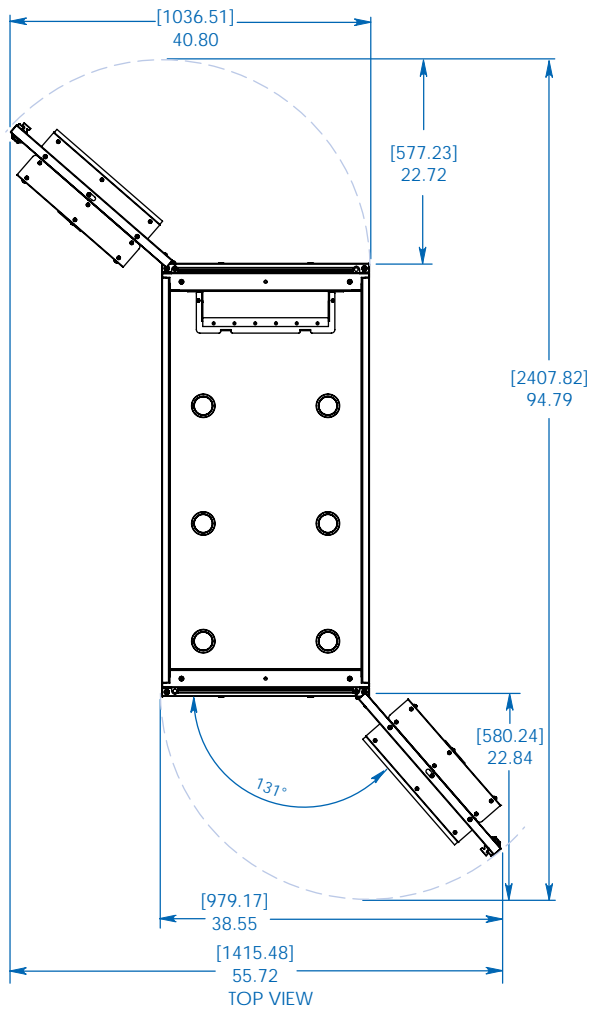


1111 W. 35th Street
Chicago, IL 60609 USA
773.869.1234
www.tripplite.com

Specifications

Model	SRQP42UB
Rack Spaces	42U
Stationary Load Rating	2400 lb. / 1089 kg
Rolling Load Rating	2000 lb. / 907 kg
Unit Dimensions (H x W x D)	78.5 x 23.6 x 56.3 in. / 1993 x 600 x 1431 mm
Shipping Dimensions (H x W x D)	83.5 x 26 x 58.7 in. / 2120 x 660 x 1490 mm
Unit Weight	573 lb. / 260 kg
Shipping Weight	600 lb. / 272 kg
Standards	UL/CSA 60950-1, IP20, TIA/EIA-310-E, RoHS



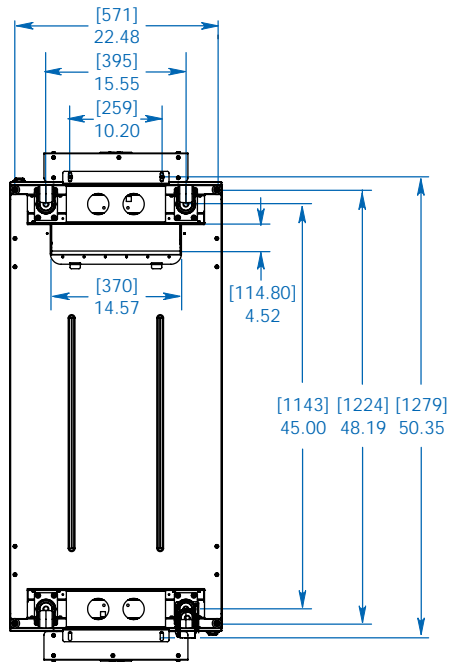


MODEL:
SRQP42UB

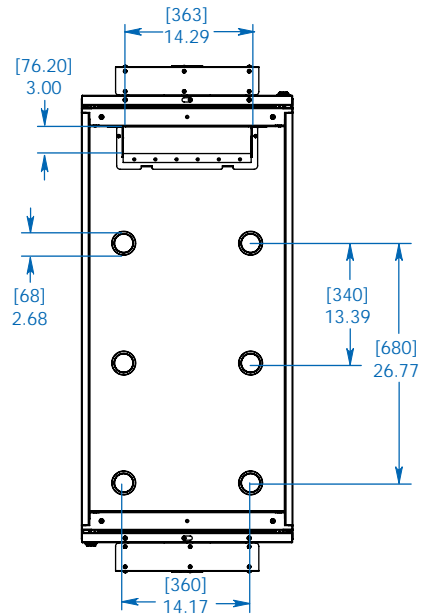


Dimensions: [mm] INCHES

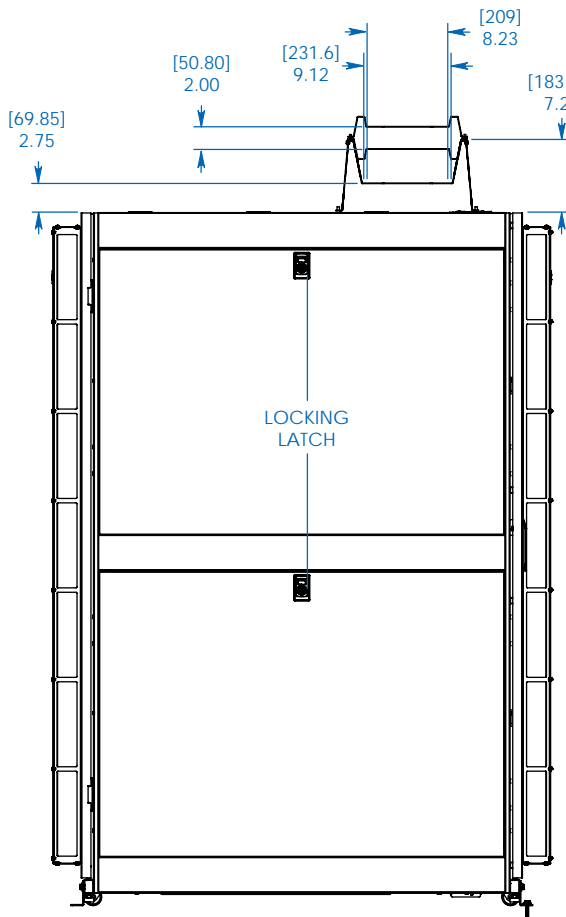
Tripp Lite has a policy of continuous improvement. Specifications are subject to change without notice.



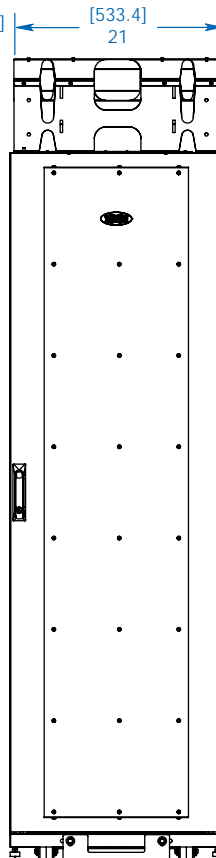
BOTTOM VIEW



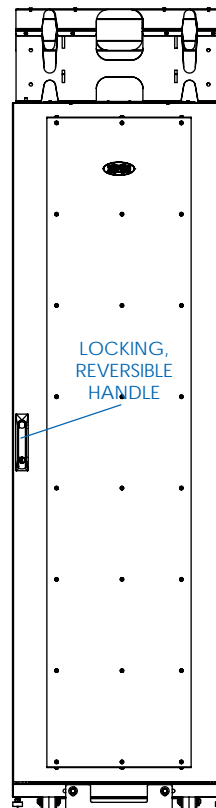
TOP VIEW



SIDE VIEW



REAR VIEW



FRONT VIEW

OPTIONAL SRCABLETRAY AND SRCABLETRAYEXP CABLE MANAGEMENT ACCESSORIES SHOWN (MOUNTING POSITION ADJUSTS TO ACCOMMODATE A WIDE RANGE OF APPLICATIONS)

MODEL:
SRQP42UB



1111 W. 35th Street
Chicago, IL 60609 USA
773.869.1234
www.tripplite.com

Dimensions: [mm] INCHES

Tripp Lite has a policy of continuous improvement. Specifications are subject to change without notice.