

MODEL:

# SRDRAWER2U

## SmartRack® 2U Locking Rack-Mount Storage Drawer



Mounts in  
2U of Space



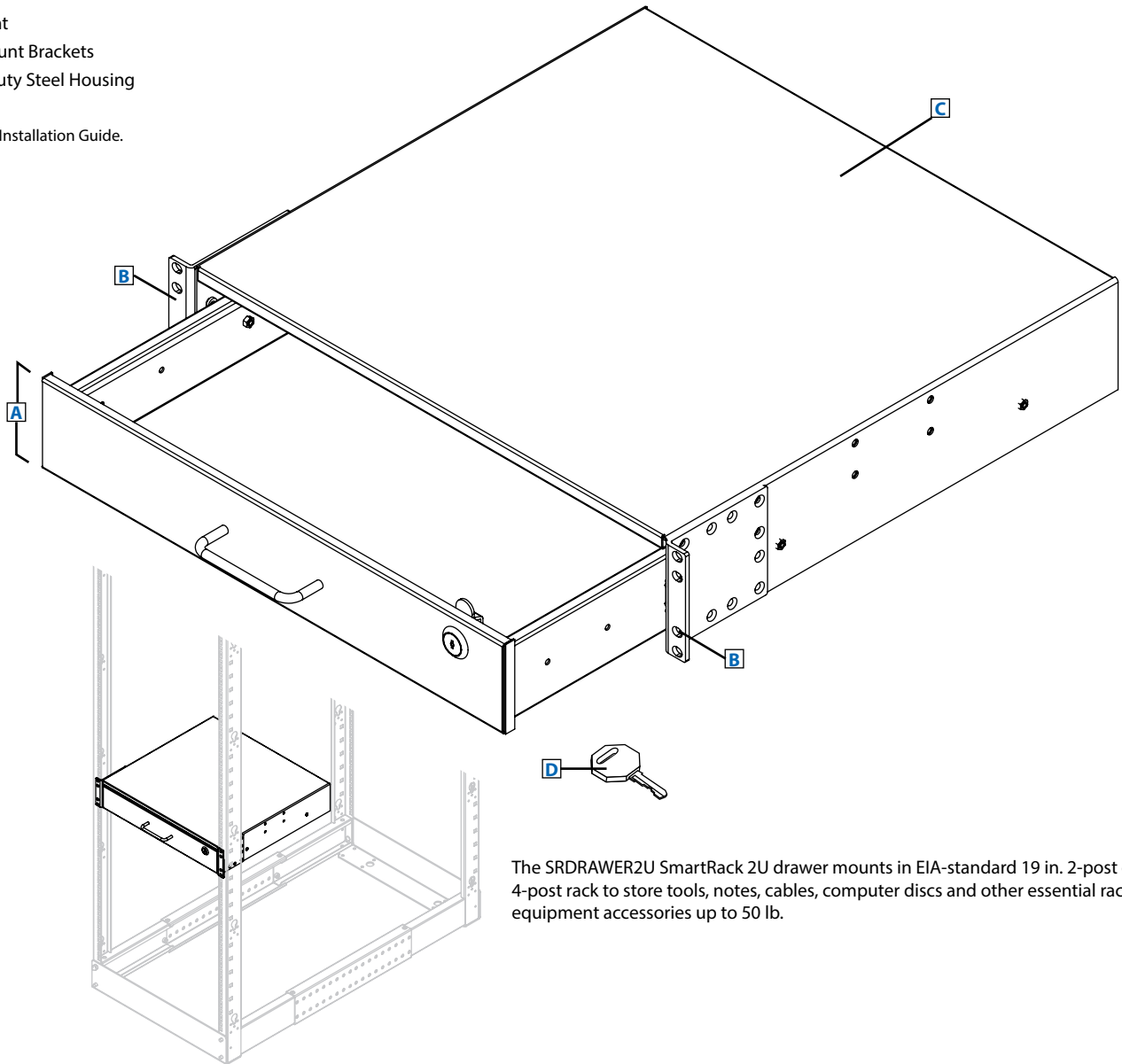
Heavy-Duty  
Steel Housing



Slides In and Out  
for Easy Access

- A** 2U Height
- B** Rack-Mount Brackets
- C** Heavy-Duty Steel Housing
- D** Keys (2)

Also Includes: Installation Guide.



The SRDRAWER2U SmartRack 2U drawer mounts in EIA-standard 19 in. 2-post or 4-post rack to store tools, notes, cables, computer discs and other essential rack equipment accessories up to 50 lb.

### Specifications

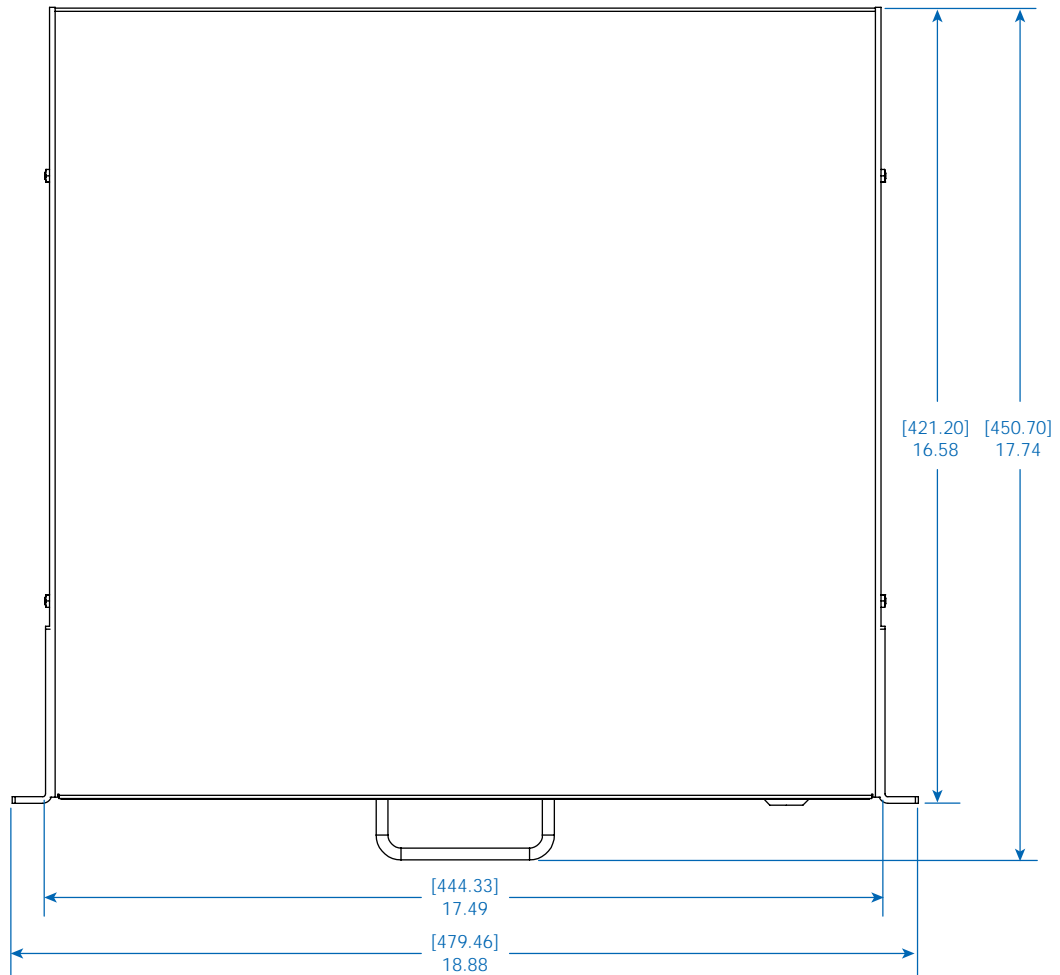


Model	SRDRAWER2U
Unit Dimensions (H x W x D)	3.5 x 17.2 x 17.8 in. / 89 x 437 x 452 mm
Shipping Dimensions (H x W x D)	6.1 x 20.9 x 20.3 in. / 155 x 531 x 516 mm
Unit Weight	15.43 lb. / 7 kg
Shipping Weight	16.53 lb. / 7.5 kg
Standards	RoHS

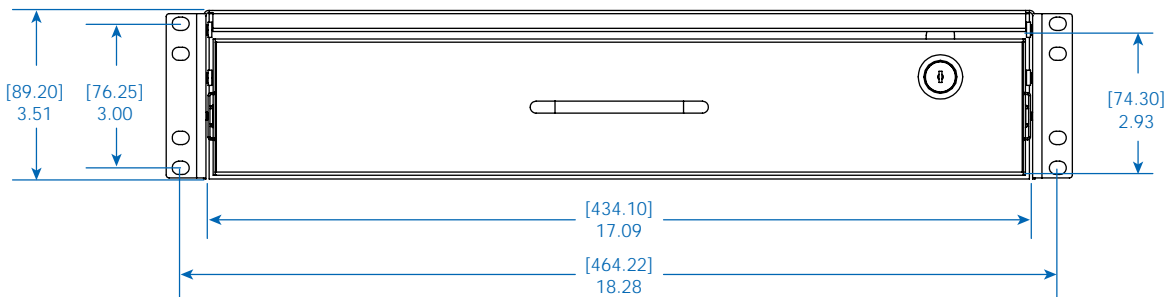
SEE NEXT PAGE FOR DETAILED UNIT MEASUREMENTS



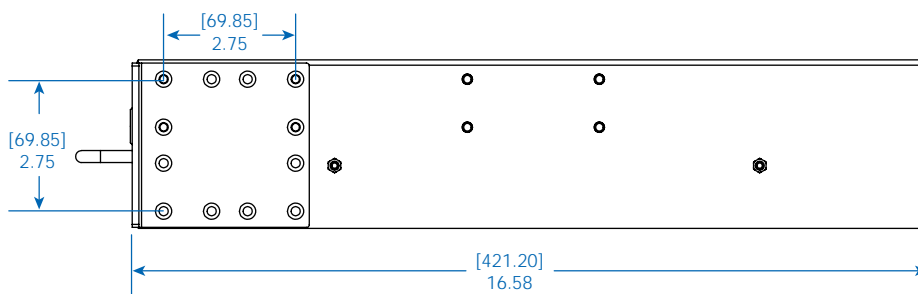
1111 W. 35th Street  
Chicago, IL 60609 USA  
773.869.1234  
www.tripplite.com



TOP VIEW



FRONT VIEW



SIDE VIEW

MODEL:  
**SRDRAWER2U**  
**TRIPP-LITE**

1111 W. 35th Street  
 Chicago, IL 60609 USA  
 773.869.1234  
 www.tripplite.com

Dimensions: [mm] INCHES

Tripp Lite has a policy of continuous improvement. Specifications are subject to change without notice.