

MODELS:

SRCOOL7KRM Series

SmartRack® Rack-Mounted Air Conditioning Unit



7,000 BTU



EIA/TIA Compliant



8U Rack Space



Close Coupled Cooling



Zero-Maintenance Design



Standard NEMA 5-15P Plug (60 Hz Only)



Filters and Dehumidifies Air



Intuitive LCD Screen

Front View

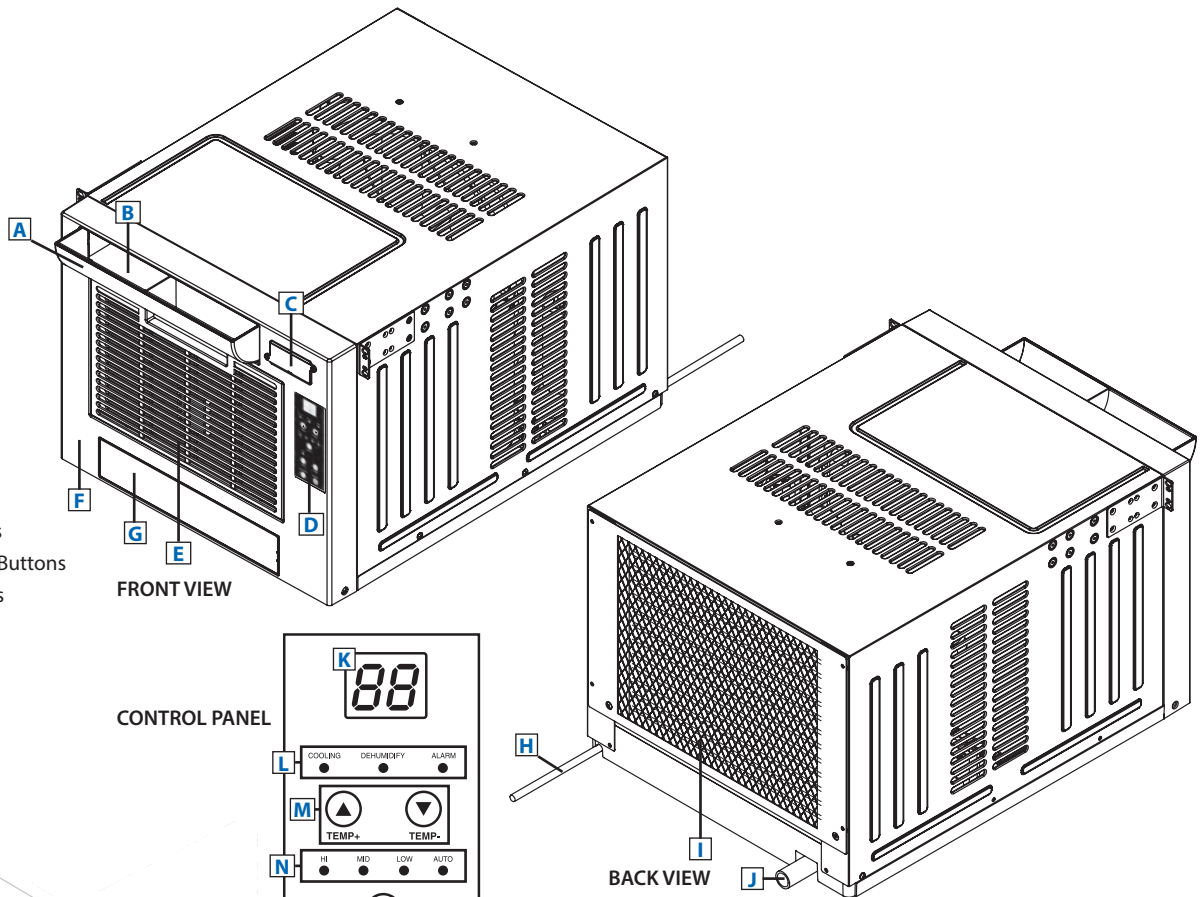
- A Directional Vent
- B Cool Air Output
- C SRCOOLNET2LX Slot
- D Control Panel
- E Air Filter
- F Front Panel
- G Blocking Plate

Rear View

- H AC Power Cord
- I Warm Air Exhaust
- J Drainage Outlet

Control Panel

- K Numeric Display
- L Operating Mode LEDs
- M Temperature Control Buttons
- N Fan Speed Mode LEDs
- O "FAN SPEED" Button
- P "QUIET" Button
- Q "TIMER" Button
- R "FUNCTION" Button
- S "POWER" Button



Note: Mount unit only at bottom of rack as shown.

- Saves valuable floor space in IT environments with 8U available rack space
- Saves energy with efficient close-coupled cooling, directing air upward to cool only the equipment inside the rack enclosure instead of the entire room
- 7,000 BTU of cooling power
- Built-in evaporator eliminates condensation—no floor drain or water collection tank needed
- Features remote control capability (requires optional SRCOOLNET2LX Web Management Accessory, sold separately)

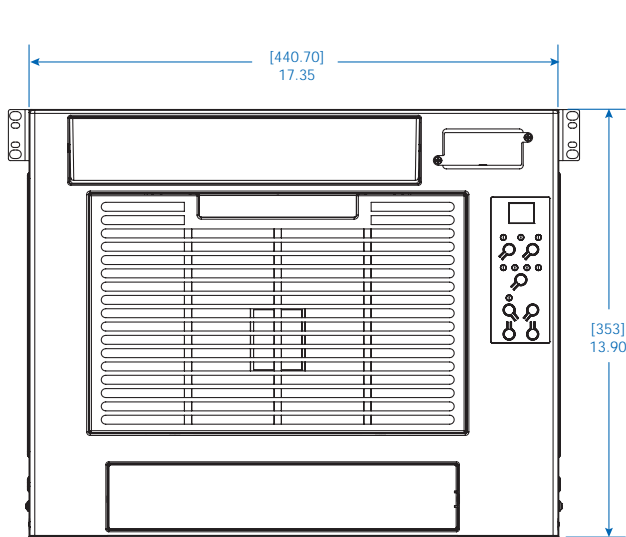
SEE NEXT PAGE FOR DETAILED UNIT MEASUREMENTS

Specifications

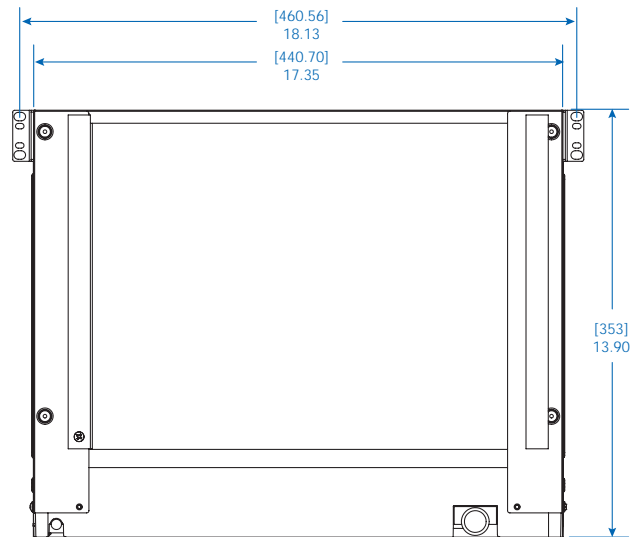
Models	SRCOOL7KRM, SRXCOOL7KRM
Rack Spaces	8U
Cooling Capacity	7000 BTU / 2.0 kW
Input Voltage	120V, 60 Hz AC (SRCOOL7KRM); 230V, 50 Hz AC (SRXCOOL7KRM)
Power Consumption	1050W Max
Input Cord / Connector	7 ft., NEMA 5-15P (SRCOOL7KRM); 1.8 m, Field-Fitted Plug (SRXCOOL7KRM)
Unit Dimensions	13.9 x 17.35 x 22.52 in. / 353 x 441 x 572 mm
Shipping Dimensions	23.4 x 22.8 x 27.7 in. / 594 x 579 x 704 mm
Unit Weight	61.6 lb. / 28 kg
Shipping Weight	77.2 lb. / 35 kg
Standards	Tested to RoHS standards



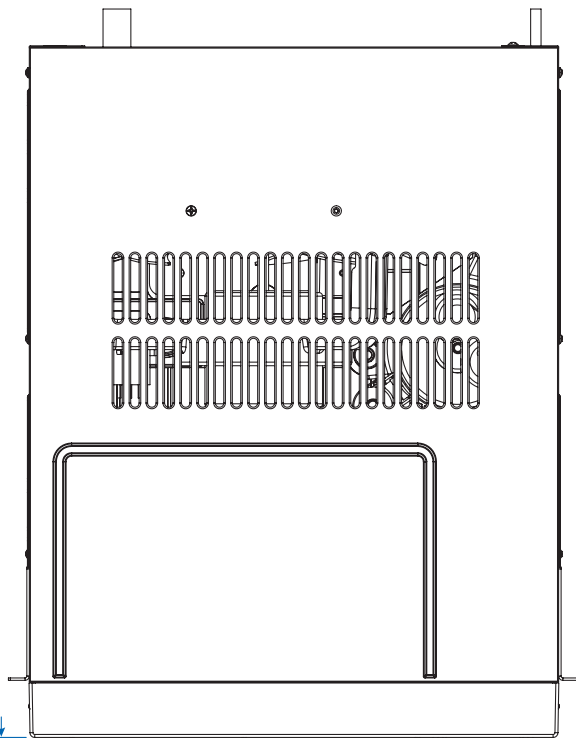
1111 W. 35th Street
Chicago, IL 60609 USA
773.869.1234
triplite.com



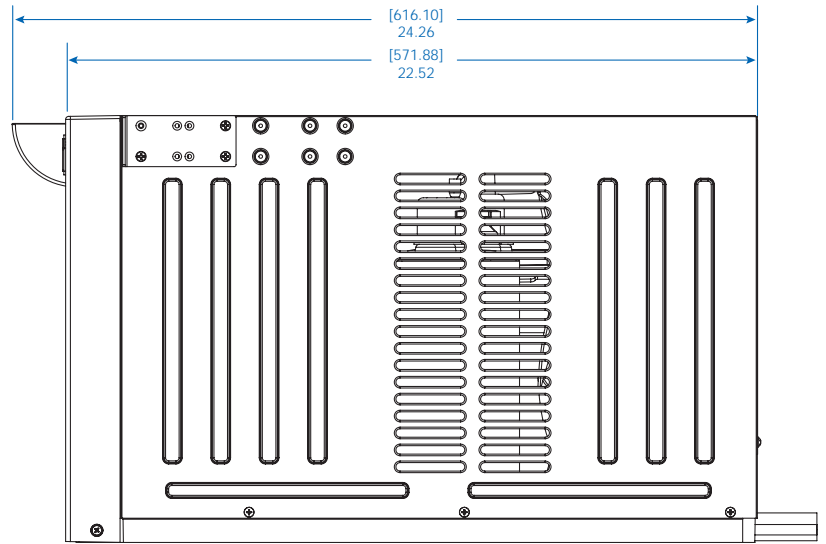
FRONT VIEW



BACK VIEW



TOP VIEW



SIDE VIEW

Dimensions: [mm] INCHES

Tripp Lite has a policy of continuous improvement. Specifications are subject to change without notice.
Photos and illustrations may differ slightly from actual products.

MODEL:
SRCOOL7KRM Series



1111 W. 35th Street
Chicago, IL 60609 USA
773.869.1234
triplite.com