

MODEL:

SRCOOL18K

SmartRack® Self-Contained Portable Server-Rack Cooling Unit



18,000 BTU



Effective Spot Cooling



Locking
NEMA L6-20P Plug



Filters and
Dehumidifies Air

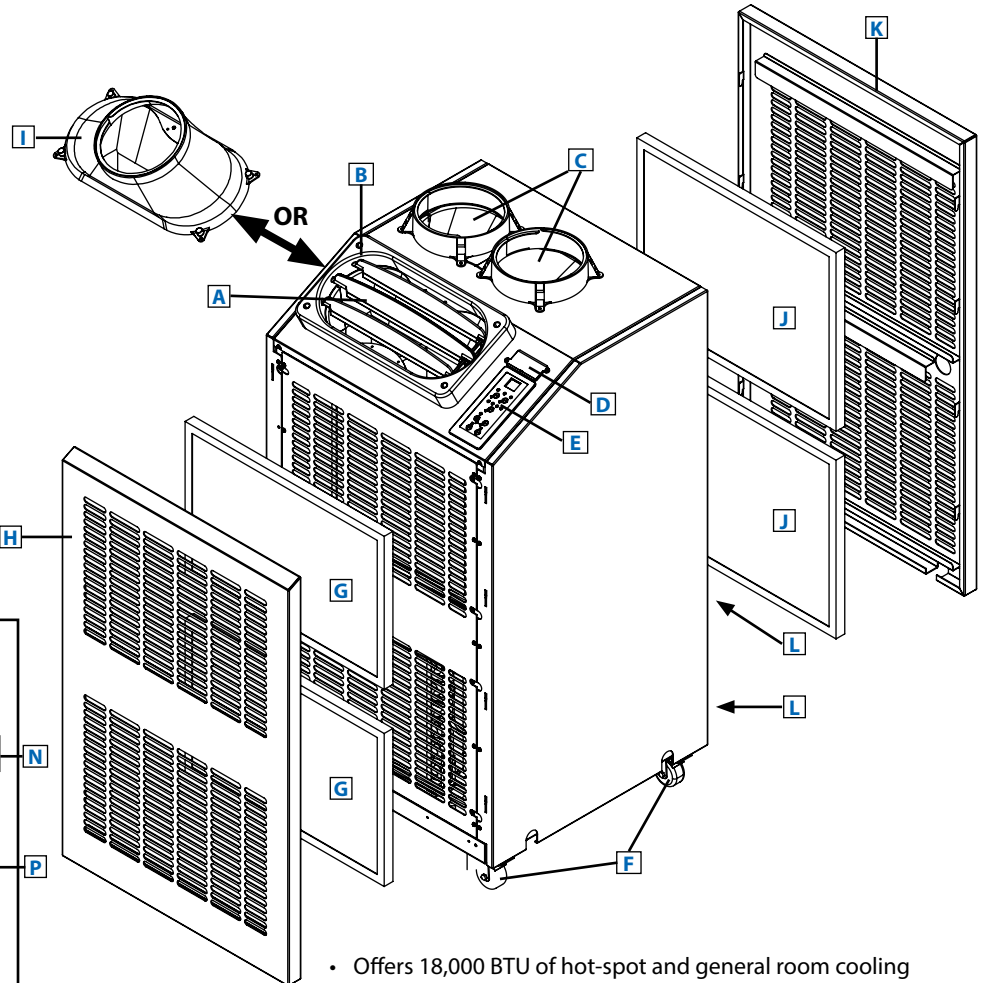
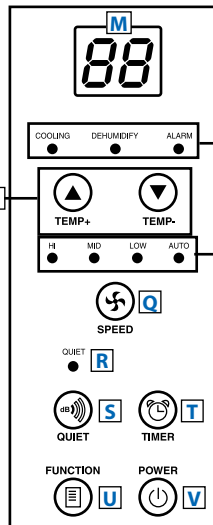


Digital Temperature Readout

- A** Cool Air Output
- B** Louvered Vent Insert (Pre-Installed)
- C** Warm Air Exhaust
- D** Slot for Optional SNMP Accessory Card
- E** Control Panel
- F** Casters
- G** Condenser Filters
- H** Front Panel
- I** Optional Cooling Duct Adapter
- J** Evaporator Filters
- K** Rear Panel
- L** Evaporator Drainage Outlet

Control Panel

- M** LCD Temperature Readout
- N** Operating Mode LEDs
- O** Temperature Control Buttons
- P** Fan-Speed Mode LEDs
- Q** FAN SPEED Button
- R** QUIET LED
- S** QUIET Button
- T** TIMER Button
- U** FUNCTION Button
- V** POWER Button



- Offers 18,000 BTU of hot-spot and general room cooling through adjustable louvers or flexible duct
- Compact, portable, self-contained design with built-in evaporator reduces maintenance—no water collection tank or drain required
- Filters and dehumidifies air to protect equipment
- Features remote control, web management and true spot-cooling capabilities (requires optional SRCOOLNET2 accessory, sold separately)

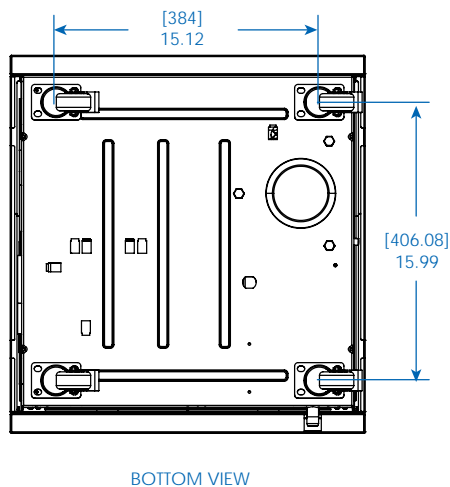
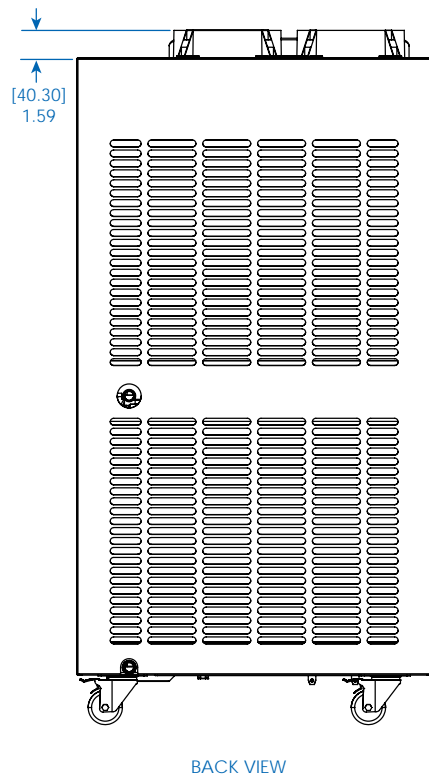
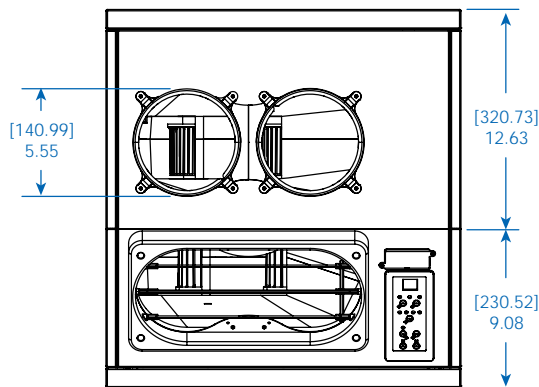
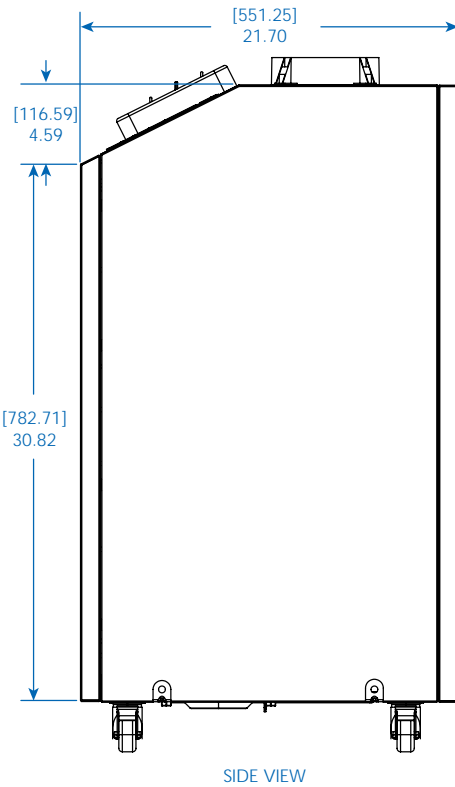
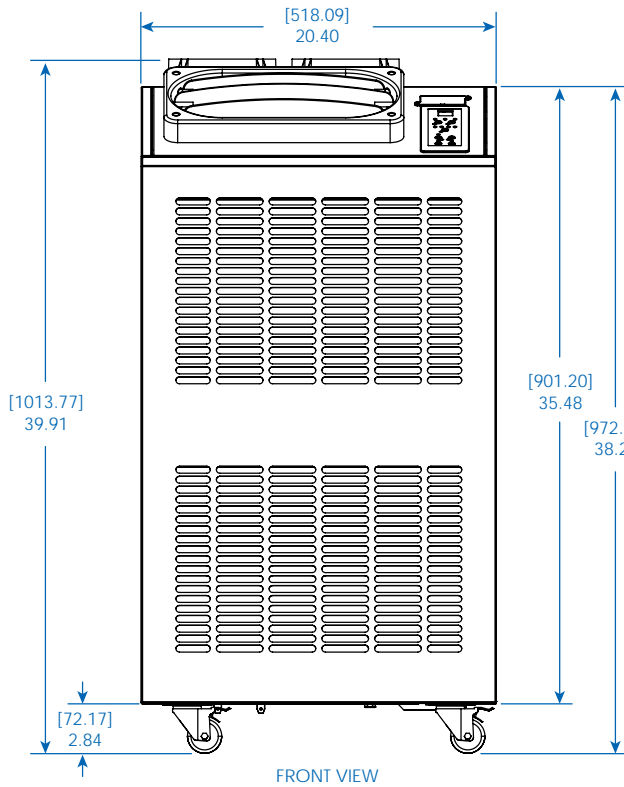
SEE NEXT PAGE FOR DETAILED UNIT MEASUREMENTS

Specifications

Model	SRCOOL18K
Cooling Capacity	18,000 BTU / 5.3 kW
Input Voltage / Frequency	208/240V / 60 Hz
Power Consumption	1985W Max
Input Cord/ Connector	2 m (6.6 ft.) / NEMA L6-20P
Unit Dimensions (H x W x D)	970 x 521 x 551 mm / 38.2 x 20.5 x 21.7 in.
Shipping Dimensions (H x W x D)	1174 x 650 x 757 mm / 46.2 x 25.6 x 29.8 in.
Unit Weight	79.6 kg / 175.4 lb.
Shipping Weight	94.4 kg / 208 lb.
Standards	Meets UL 484, CSA, RoHS and NOM standards; R410A refrigerant



1111 W. 35th Street
Chicago, IL 60609 USA
773.869.1234
www.tripplite.com



MODEL:
SRCOOL18K



1111 W. 35th Street
Chicago, IL 60609 USA
773.869.1234

www.tripplite.com

Dimensions: [mm] INCHES

Tripp Lite has a policy of continuous improvement. Specifications are subject to change without notice.