

MODEL:

# SR48UBEXPND

## SmartRack® Premium Rack Enclosure



48 Rack Units



3000 lb.  
Stationary  
Load Capacity



2250 lb.  
Rolling  
Load Capacity



Heavy-Duty  
Casters



Standard 19-inch  
Rack Width



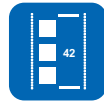
Toolless  
Mounting Slots



Adjustable  
Rails with Easy-View  
Depth Index



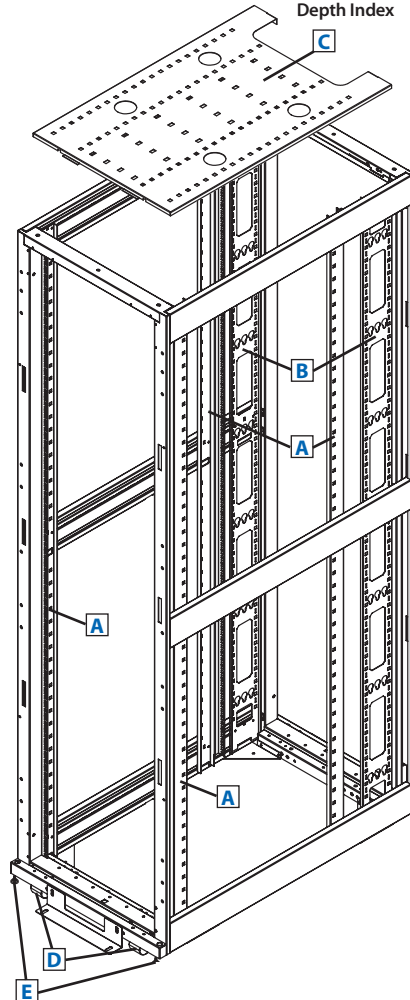
Integrated  
Baying Tabs



Square Hole  
Mounting

- A** Adjustable Mounting Rails (4)
- B** Adjustable PDU Mounting Rails with Toolless Mounting Slots (2 rails hold up to 4 vertical PDUs)
- C** Roof Panel (Removable)
- D** Rolling Casters (4)
- E** Levelers (4)

Also Includes: Owner's Manual, 2 shipping/stabilizing brackets and rackmount equipment mounting hardware (50 cage nuts, 50 mounting screws, 50 nylon cup washers).



### Specifications

Model	SR48UBEXPND
Rack Spaces	48U
Stationary Load Capacity	3000 lb. (1361 kg)
Rolling Load Capacity	2250 lb. (1021 kg)
Unit Dimensions (H x W x D)	89 x 23.63 x 43 in. (2261 x 600 x 1092 mm)
Shipping Dimensions (H x W x D)	95 x 26 x 45 in. (2413 x 660 x 1143 mm)
Unit Weight	171 lb. (77.6 kg)
Shipping Weight	213 lb. (97 kg)
Standards	Tested to UL 60950, RoHS, NOM, EIA-310-E, IEC 60297-3-100 (Accommodates all standard 19-inch rackmount equipment regardless of vendor.)

Tripp Lite has a policy of continuous improvement. Specifications are subject to change without notice.

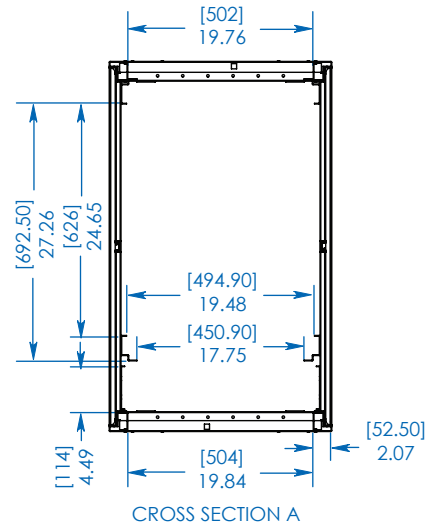
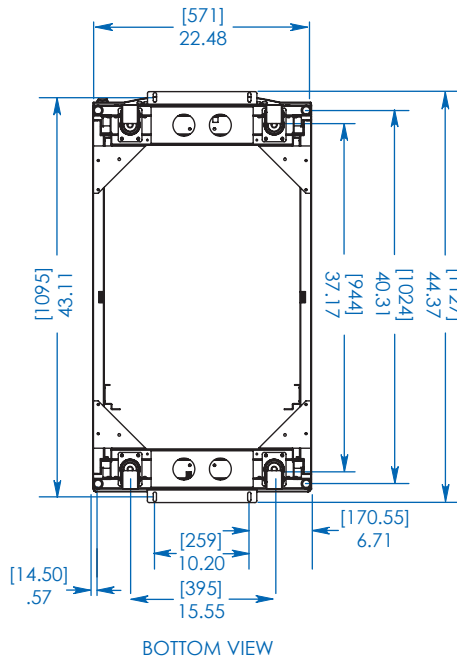
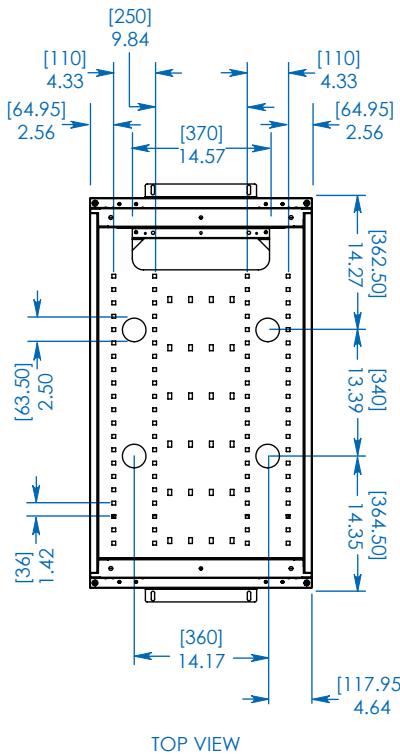
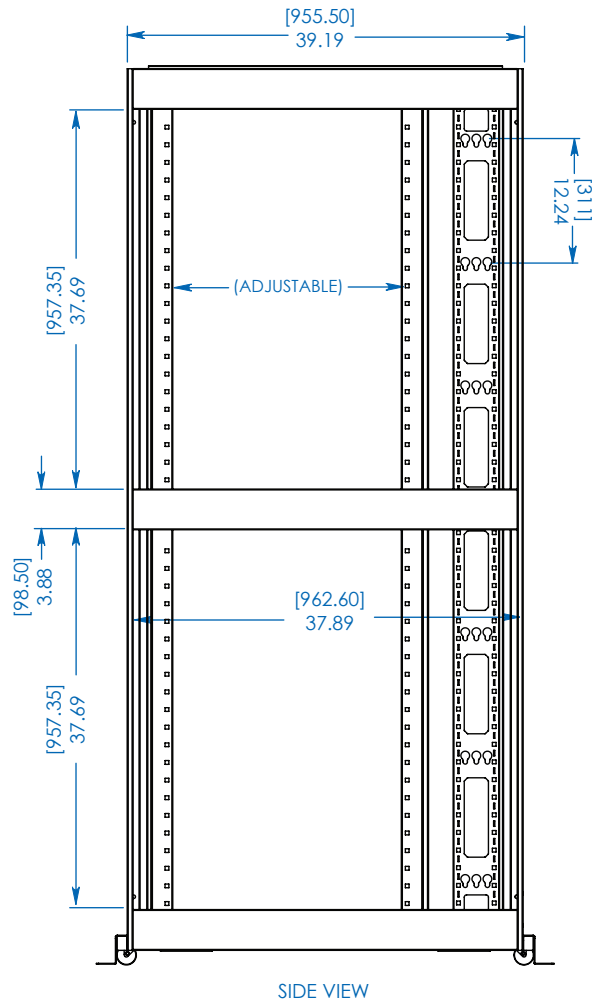
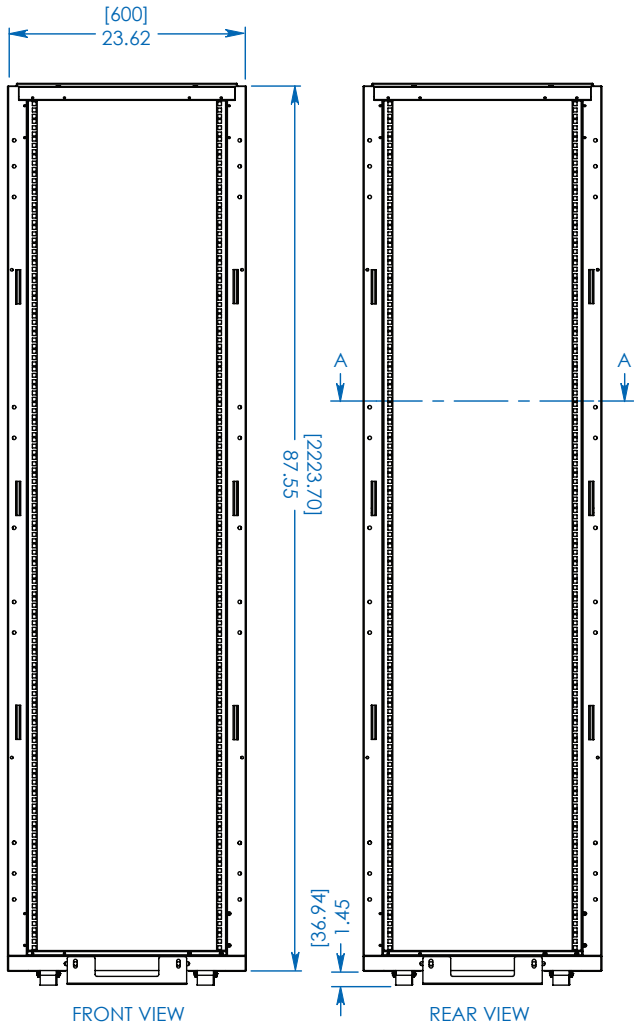
- Enclosure ships fully assembled for rapid deployment, but can be knocked down for easy reassembly in confined spaces
- Modular design optimized for quick configuration and reconfiguration
- Ideal for rackmount server, network and telecom applications

**SEE NEXT PAGE FOR DETAILED UNIT MEASUREMENTS**



1111 W. 35th Street  
Chicago, IL 60609 USA  
773.869.1234  
www.tripplite.com

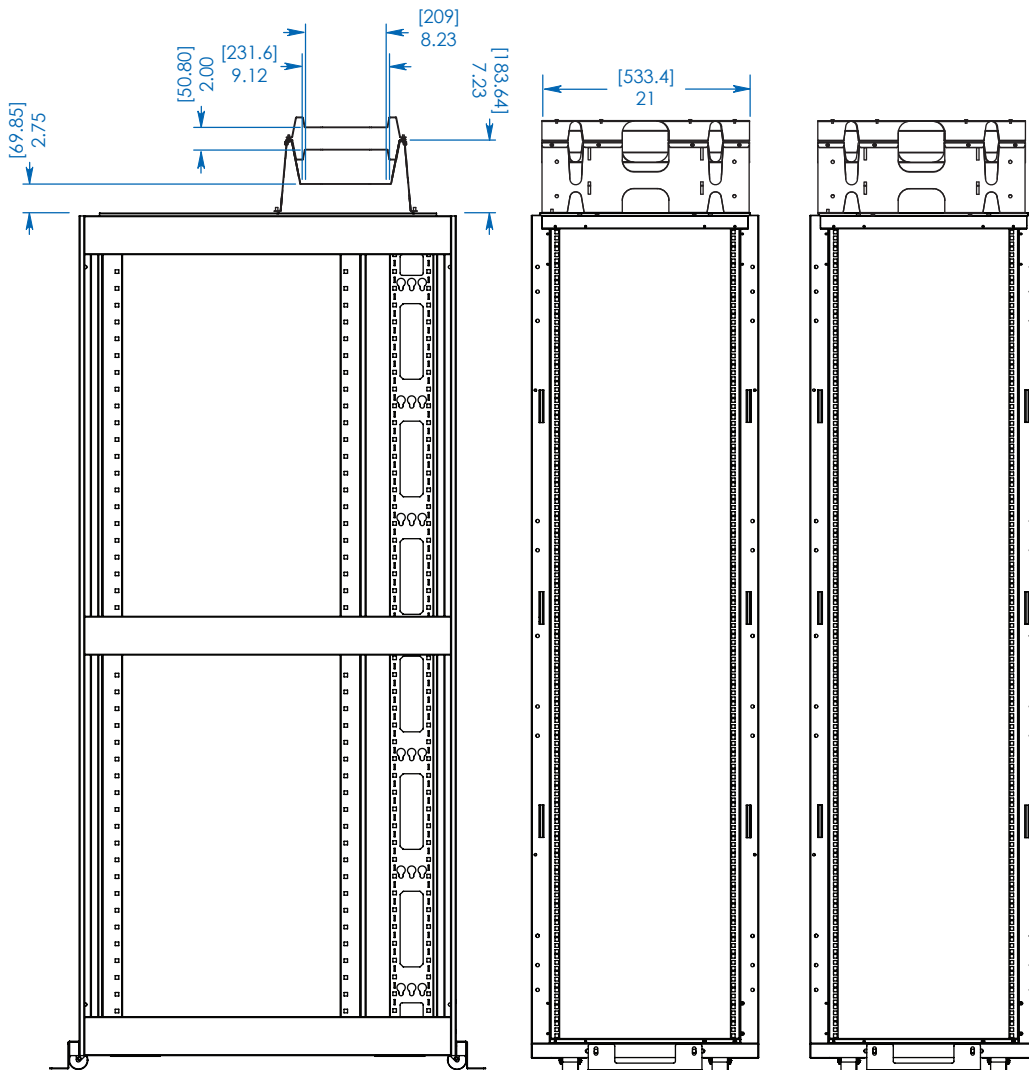
Also Available: Shock pallet models with special packaging to facilitate equipment pre-installation and reshipment to final site. Heavy-duty shock pallet holds up to 1250 lb. (568 kg), including the weight of the enclosure and pre-installed equipment. Add "SP1" to model numbers above to order shock pallet models.



Dimensions: [mm] INCHES

Tripp Lite has a policy of continuous improvement. Specifications are subject to change without notice.

MODEL:  
SR48UBEXPND  
**TRIPP-LITE**



SIDE VIEW

REAR VIEW

FRONT VIEW

OPTIONAL SRCABLETRAY AND SRCABLETRAYEXP CABLE MANAGEMENT ACCESSORIES SHOWN (MOUNTING POSITION ADJUSTS TO ACCOMMODATE A WIDE RANGE OF APPLICATIONS)

Dimensions: [mm] INCHES

Tripp Lite has a policy of continuous improvement. Specifications are subject to change without notice.

MODEL:  
**SR48UBEXPND**

**TRIPP·LITE**

1111 W. 35th Street  
Chicago, IL 60609 USA  
773.869.1234

[www.triplite.com](http://www.triplite.com)