

MODEL:

SR48UBDPWD

SmartRack® Deep & Wide Rack Enclosure



48 Rack Units



3000 lb.
Stationary
Load Rating



2250 lb.
Rolling
Load Rating



Heavy-Duty
Casters



Locking Doors
& Side Panels



Accommodates
Standard
19-inch
Equipment



Toolless
Mounting Slots



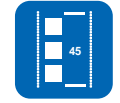
Adjustable
Rails with
Easy-View
Depth Index



Airflow
Exceeds
Server OEM
Requirements



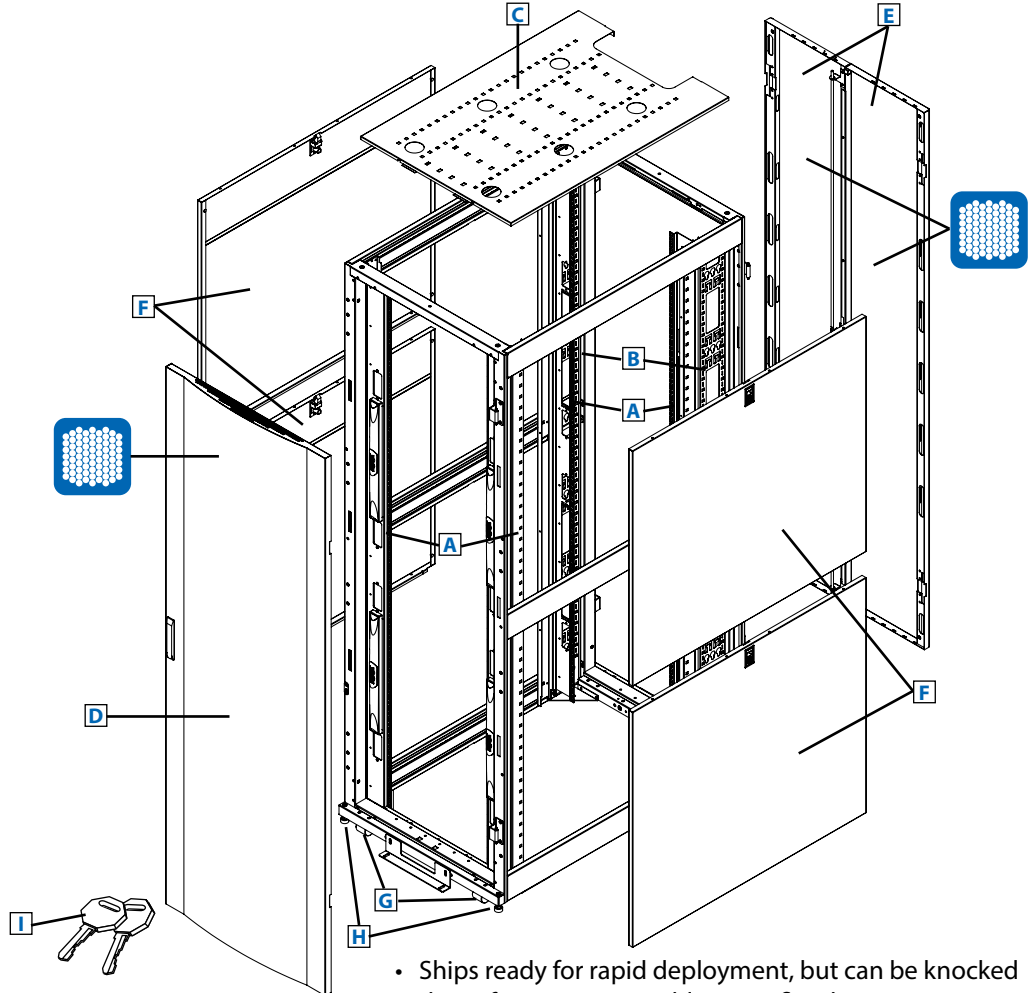
Integrated
Baying Tabs



Square Hole
Mounting

- A** Adjustable Mounting Rails
- B** Adjustable PDU Mounting Rails with Toolless Mounting Slots
- C** Roof Panel (Removable)
- D** Front Door (Lockable/Removable/Reversible)
- E** Split Rear Doors (Lockable/Removable)
- F** Side Panels (Lockable/Removable)
- G** Heavy-Duty Casters
- H** Heavy-Duty Levelers
- I** Keys (For doors and side panels)

Also Includes: Owner's manual, 2 stabilizing brackets and rack-mount equipment mounting hardware (50 cage nuts, 50 mounting screws, 50 nylon cup washers)



- Ships ready for rapid deployment, but can be knocked down for easy reassembly in confined spaces
- Modular design optimized for quick configuration and reconfiguration
- Ideal for rack-mount server, network and telecom applications

Specifications

Model	SR48UBDPWD
Rack Spaces	48U
Stationary Load Rating	3000 lb. / 1361 kg
Rolling Load Rating	2250 lb. / 1021 kg
Unit Dimensions (H x W x D)	89 x 29.53 x 47.3 in. / 2261 x 750 x 1200 mm
Shipping Dimensions (H x W x D)	95 x 33.5 x 52.75 in. / 2413 x 851 x 1340 mm
Unit Weight	378 lb. / 171 kg
Shipping Weight	428 lb. / 194 kg
Certifications	UL 60950, IP20, EIA/ECA-310-E, RoHS

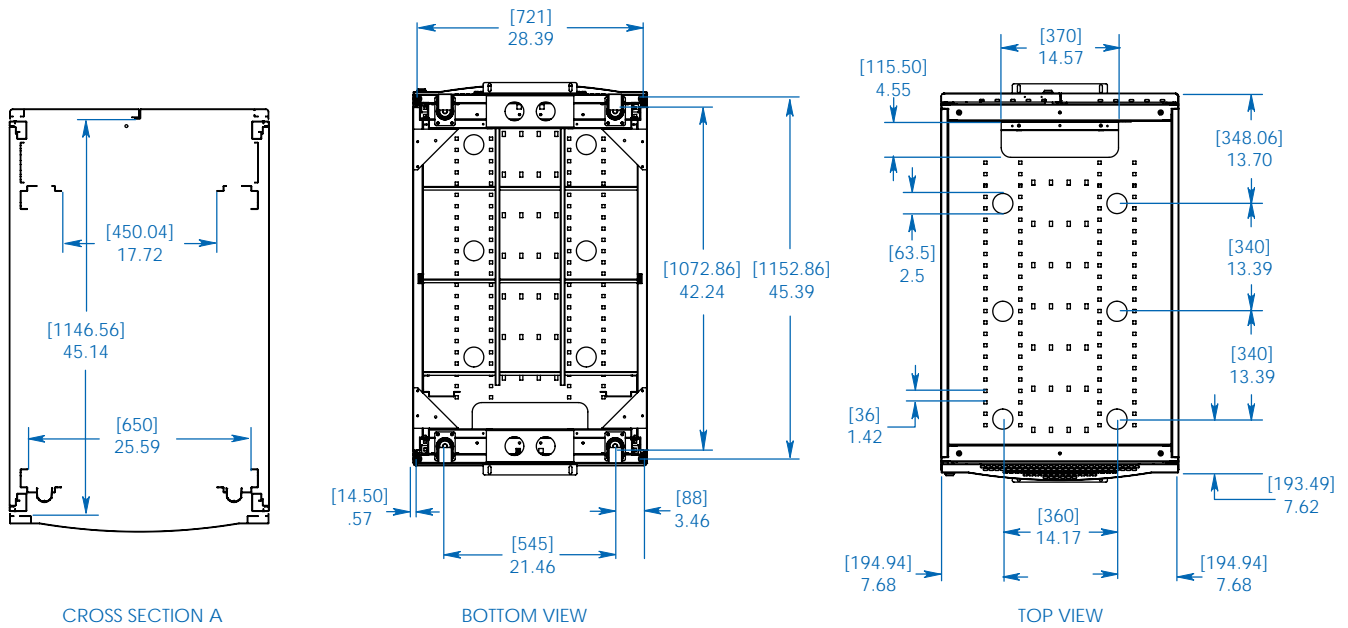
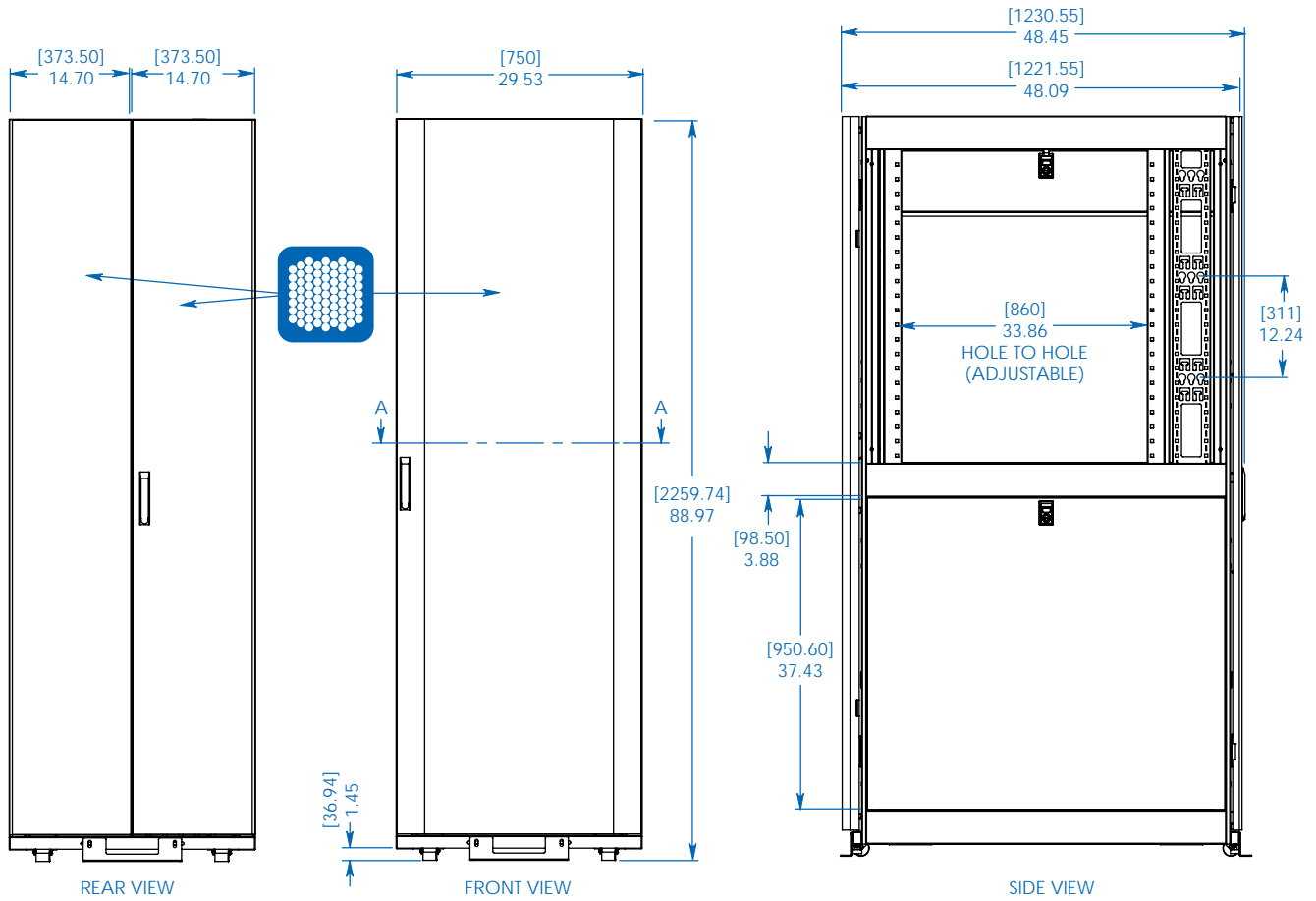
Tripp Lite has a policy of continuous improvement. Specifications are subject to change without notice.



SEE NEXT PAGE FOR DETAILED UNIT MEASUREMENTS



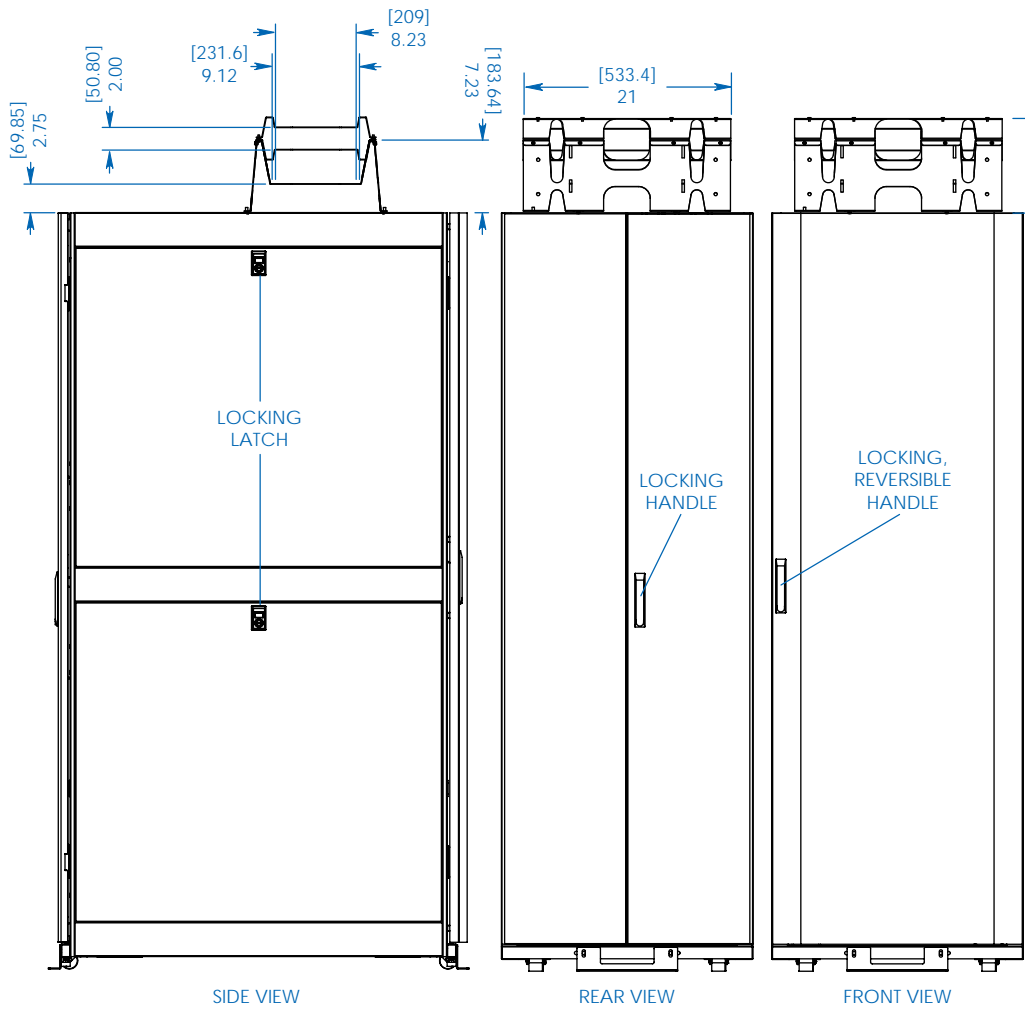
1111 W. 35th Street
Chicago, IL 60609 USA
773.869.1234
www.tripplite.com



Dimensions: [mm] INCHES

Tripp Lite has a policy of continuous improvement. Specifications are subject to change without notice.

MODEL:
SR48UBDPWD
TRIPP-LITE



OPTIONAL SRCABLETRAY AND SRCABLETRAYEXP CABLE MANAGEMENT ACCESSORIES SHOWN (MOUNTING POSITION ADJUSTS TO ACCOMMODATE A WIDE RANGE OF APPLICATIONS)

SIDE VIEW

REAR VIEW

FRONT VIEW

MODEL:
SR48UBDPWD



1111 W. 35th Street
Chicago, IL 60609 USA
773.869.1234
www.tripplite.com

Dimensions: [mm] INCHES

Tripp Lite has a policy of continuous improvement. Specifications are subject to change without notice.