

MODEL:

SR48UBDP

SmartRack® Deep Rack Enclosure



48 Rack Units



3000 lb.
Stationary
Load Capacity



2250 lb.
Rolling
Load Capacity



Heavy-Duty
Casters



Locking Doors &
Side Panels



Standard
19-inch
Rack Width



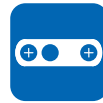
Toolless
Mounting Slots



Adjustable
Rails with
Easy-View
Depth Index



Airflow
Exceeds
Server OEM
Requirements



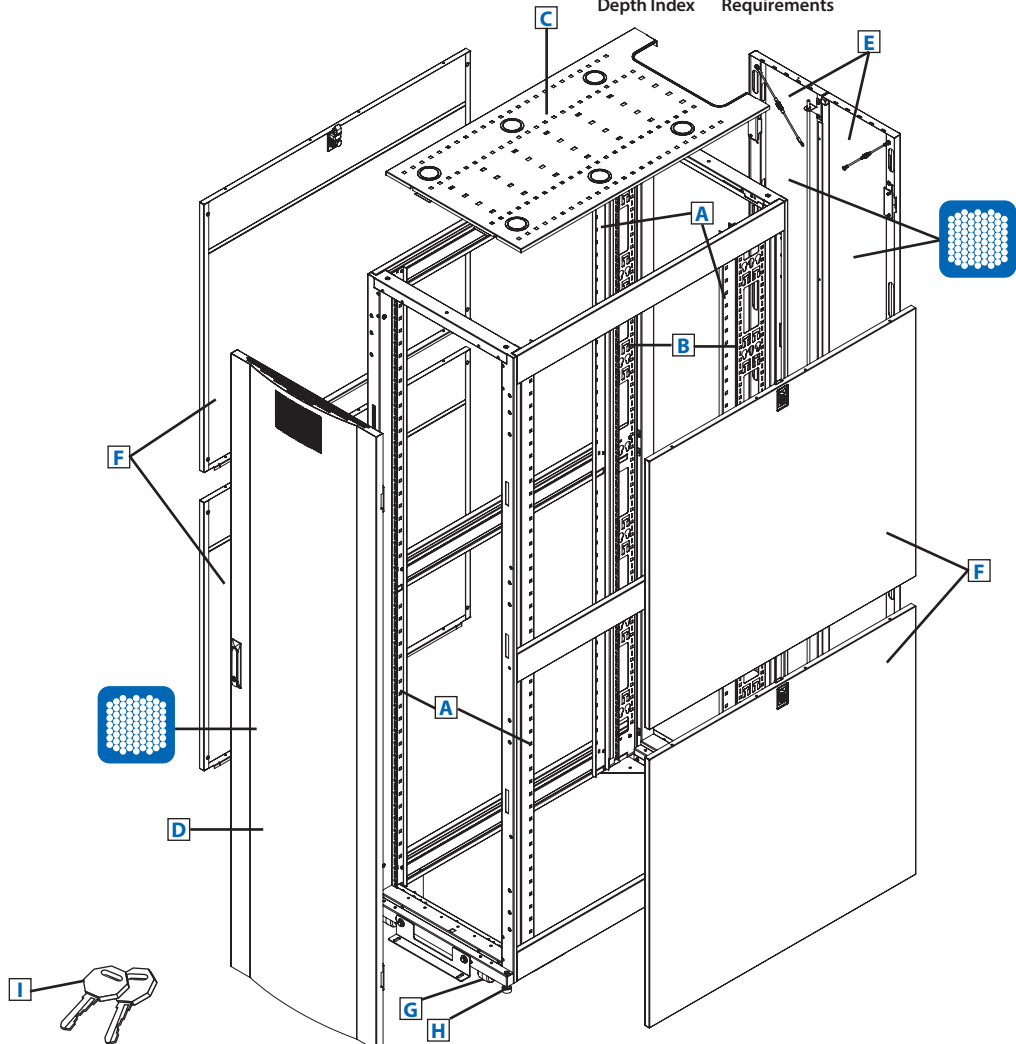
Integrated
Bypass Tabs



Square Hole
Mounting

- A** Adjustable Mounting Rails
- B** Adjustable PDU Mounting Rails with Toolless Mounting Slots
- C** Roof Panel (Removable)
- D** Front Door (Lockable/Removable/Reversible)
- E** Split Rear Doors (Lockable/Removable)
- F** Side Panels (Lockable/Removable)
- G** Heavy-Duty Casters
- H** Heavy-Duty Levelers
- I** Keys (For doors and side panels.)

Also Includes: Owner's manual, 2 stabilizing brackets and rack-mount equipment mounting hardware (50 cage nuts, 50 mounting screws, 50 nylon cup washers).



- Ships ready for rapid deployment, but can be knocked down for easy reassembly in confined spaces
- Modular design optimized for quick configuration and reconfiguration
- Ideal for rack-mount server, network and telecom applications

Specifications

Model	SR48UBDP
Rack Spaces	48U
Stationary Load Rating	3000 lb. / 1363 kg
Rolling Load Rating	2250 lb. / 1022 kg
Unit Dimensions (H x W x D)	89 x 23.63 x 47.25 in. / 2261 x 600 x 1200 mm
Shipping Dimensions (H x W x D)	95 x 26 x 52 in. / 2413 x 660 x 1346 mm
Unit Weight	315 lb. / 143 kg
Shipping Weight	345 lb. / 157 kg
Certifications	UL 60950, IP20, EIA/ECA-310-E, RoHS

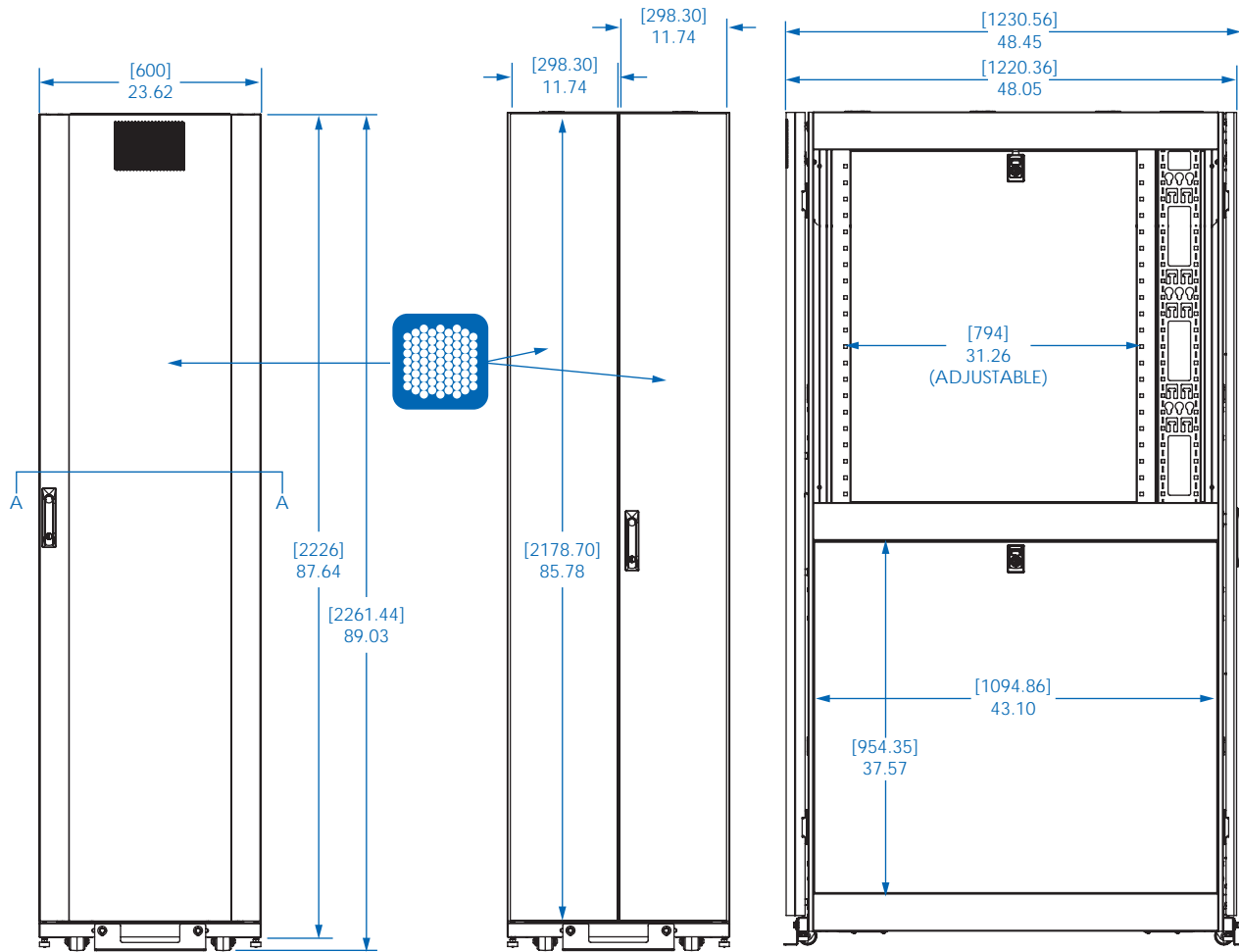
Tripp Lite has a policy of continuous improvement. Specifications are subject to change without notice.



SEE NEXT PAGE FOR DETAILED UNIT MEASUREMENTS



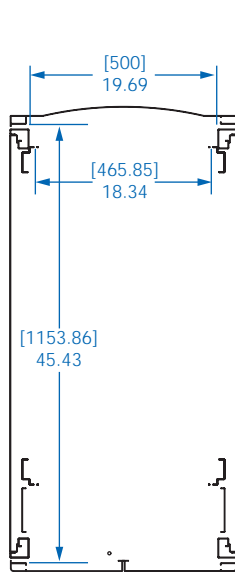
1111 W. 35th Street
Chicago, IL 60609 USA
773.869.1234
www.tripplite.com



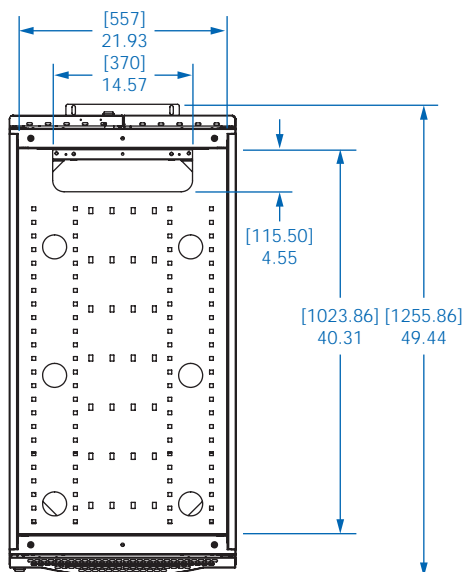
FRONT VIEW

REAR VIEW

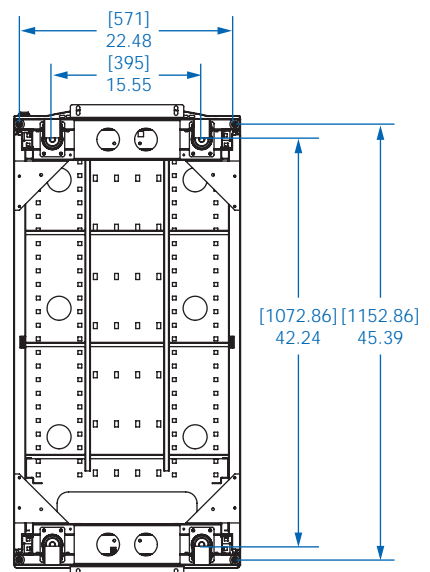
SIDE VIEW



CROSS SECTION A



TOP VIEW



BOTTOM VIEW

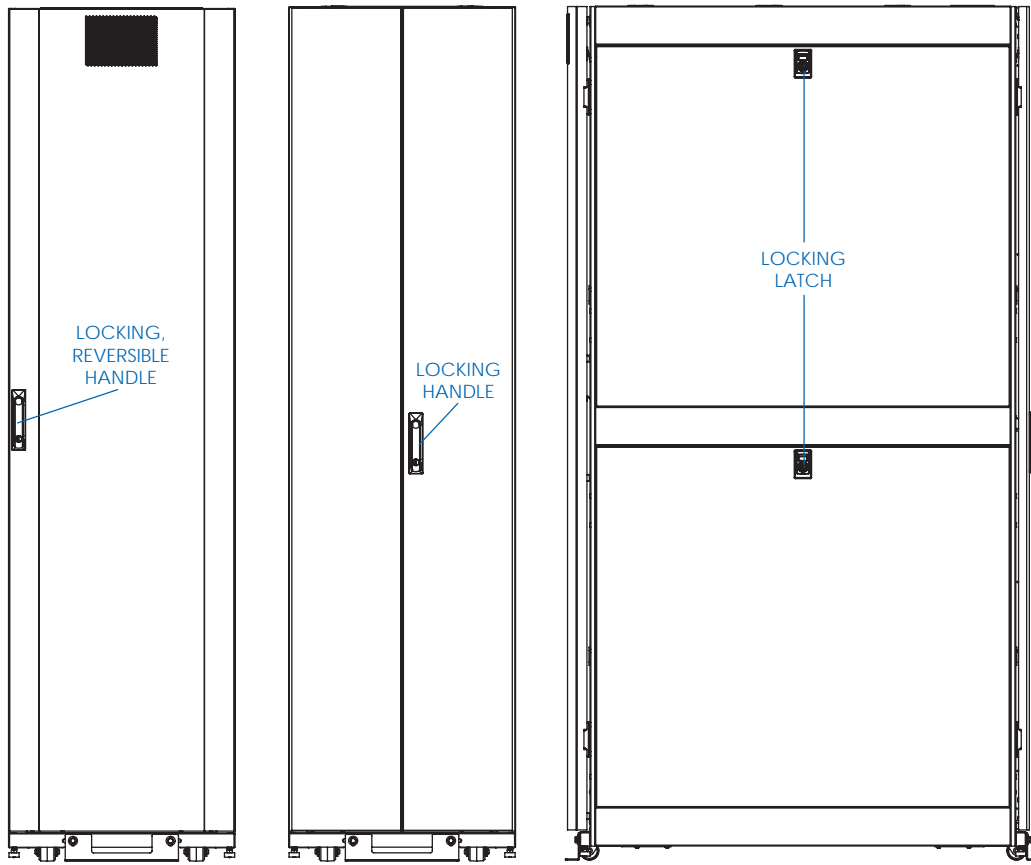
MODEL:

SR48UBDP



Dimensions: [mm] INCHES

Tripp Lite has a policy of continuous improvement. Specifications are subject to change without notice.



Dimensions: [mm] INCHES

Tripp Lite has a policy of continuous improvement. Specifications are subject to change without notice.

MODEL:
SR48UBDP

TRIPP·LITE

1111 W. 35th Street
Chicago, IL 60609 USA
773.869.1234
www.triplite.com