

MODELS:

SR42UB1032 / SR42UBEXP1032

SmartRack™ Premium Rack Enclosure



42 Rack Units



3000 lb
Stationary
Load Capacity



2250 lb
Rolling
Load Capacity



Rolling
Casters



Locking Doors
and Side Panels



Standard
19-inch
Rack Width



Toolless
Mounting Slots



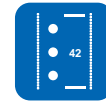
Adjustable
Rails with
Easy-View
Depth Index



Airflow
Exceeds
Server OEM
Requirements



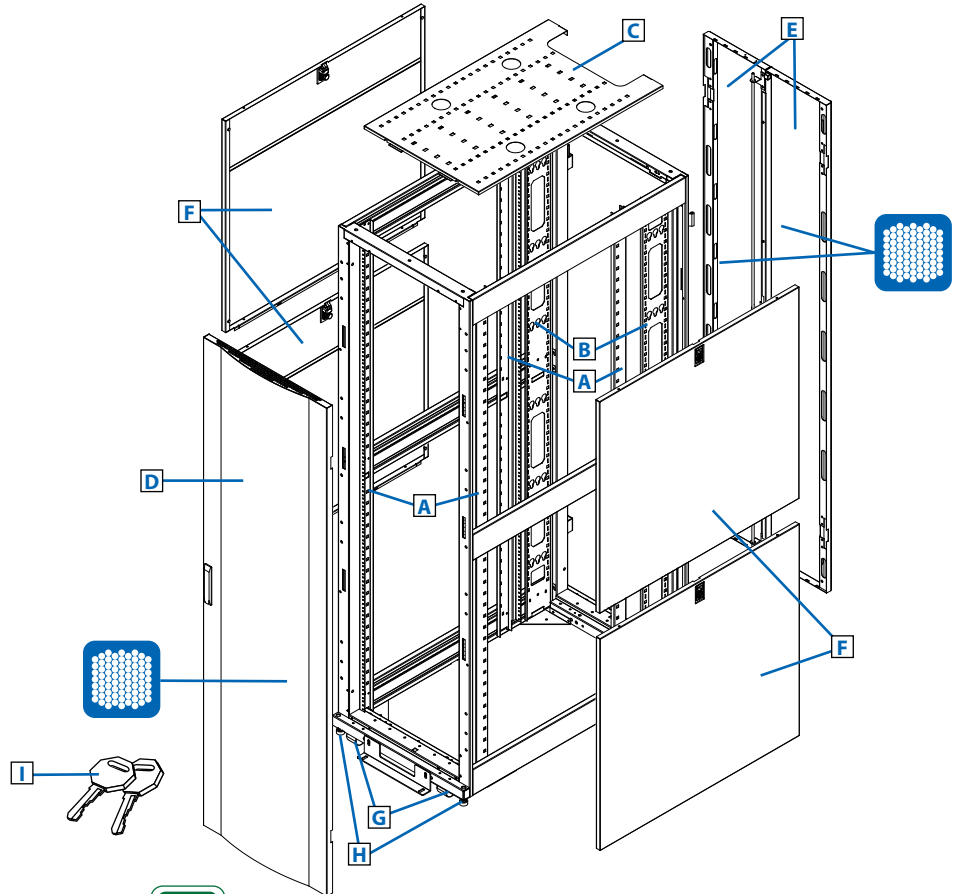
Integrated
Baying Tabs



#10-32
Threaded
Round Hole
Mounting

- A** Adjustable Mounting Rails (4)
- B** Adjustable PDU Mounting Rails with Toolless Mounting Slots (2) (Hold up to 4 vertical PDUs.)
- C** Roof Panel (Removable)
- D** Front Door (Lockable/Removable/Reversible)
- E** Split Rear Doors (2) (Lockable/Removable)
- F** Side Panels (4) (Lockable/Removable; not included with SR42UBEXP1032.)
- G** Rolling Casters (4)
- H** Levelers (4)
- I** Keys (For doors and side panels.)

Also Includes: Owner's manual, 2 shipping/stabilizing brackets and #10-32 equipment mounting screws.



Specifications

Model	SR42UB1032
Rack Spaces	42U
Stationary Load Capacity	3000 lb (1363 kg)
Rolling Load Capacity	2250 lb (1022 kg)
Unit Dimensions (H x W x D)	78.5 x 23.63 x 43 in (1994 x 600 x 1092 mm)
Shipping Dimensions (H x W x D)	85 x 26 x 45 in (2159 x 660 x 1143 mm)
Unit Weight	286 lb (129.7 kg)
Shipping Weight	336 lb (152.4 kg)
Certifications	EIA-310-E, IEC 60297-3-100, DIN 41494, UL 60950, RoHS, NOM, IP20, PCI-DSS
Model	SR42UBEXP1032 (Without side panels.)
Unit Weight	208 lb (94.3 kg)
Shipping Weight	258 lb (117 kg)

Tripp Lite has a policy of continuous improvement. Specifications are subject to change without notice.



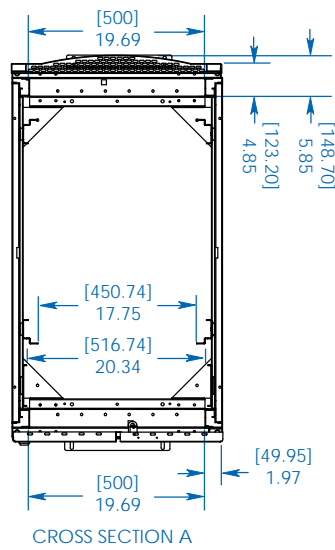
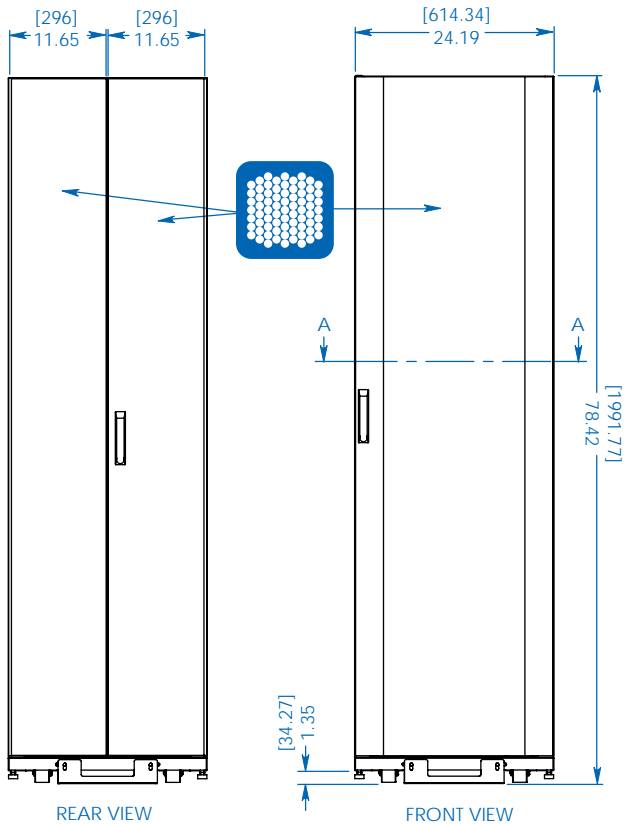
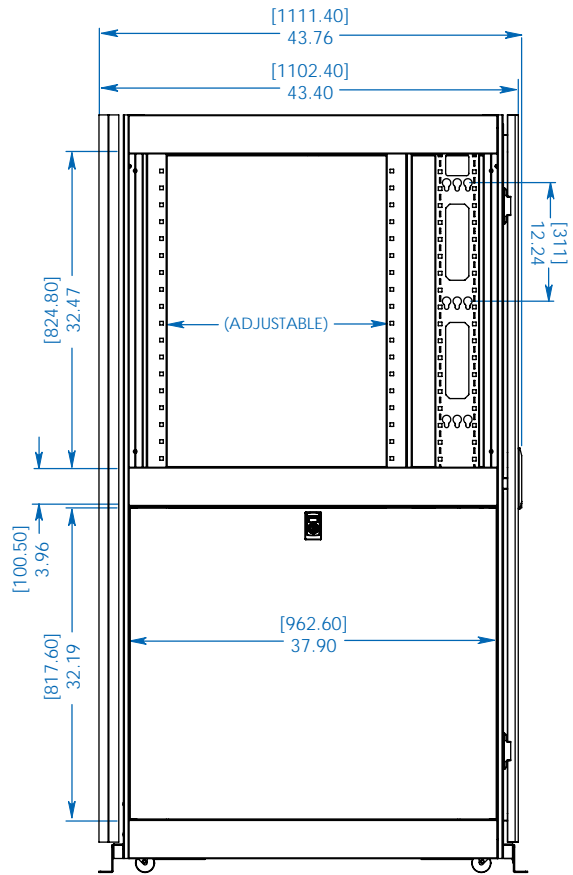
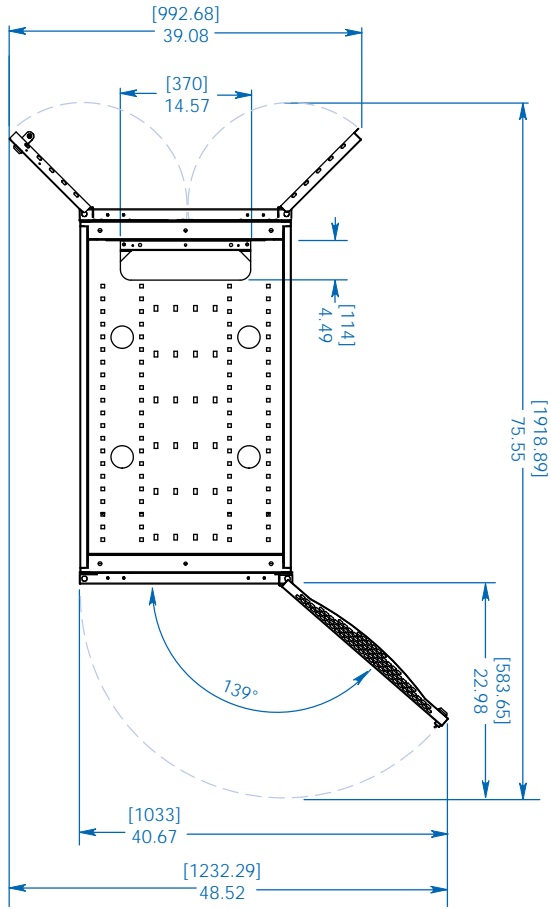
- Enclosures ship fully assembled for rapid deployment, but can be knocked down for easy reassembly in confined spaces
- Modular design optimized for quick configuration and reconfiguration
- Ideal for rackmount server, network and telecom applications

SEE NEXT PAGE FOR DETAILED UNIT MEASUREMENTS



1111 W. 35th Street
Chicago, IL 60609 USA
773.869.1234
www.tripplite.com

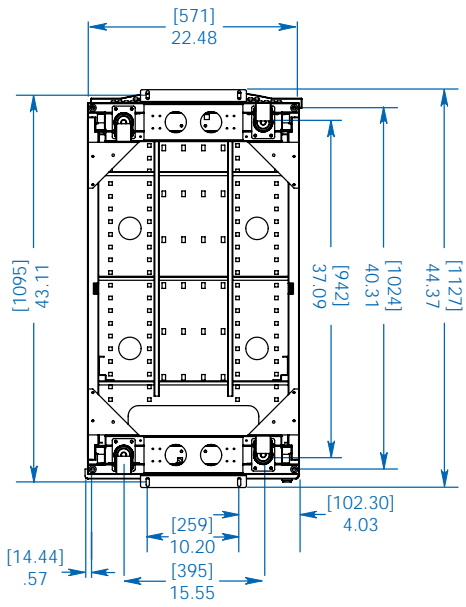
Also Available: Shock pallet models with special packaging to facilitate equipment pre-installation and reshipment to final site. Heavy-duty shock pallet holds up to 1250 lb (567 kg), including the weight of the enclosure and pre-installed equipment. Add "SP1" to model numbers above to order shock pallet models.



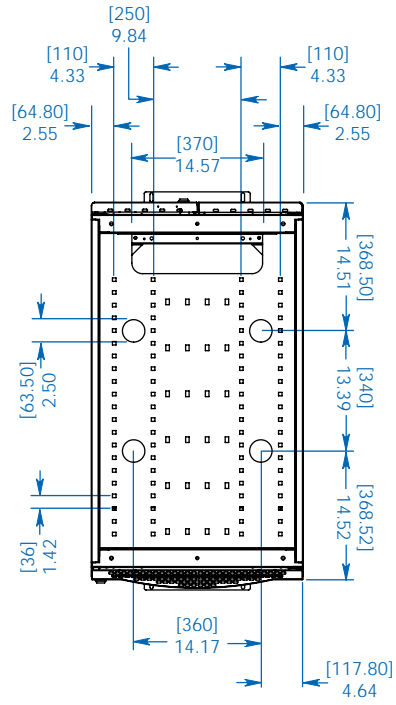
MODELS:
SR42UB1032
SR42UBEXP1032



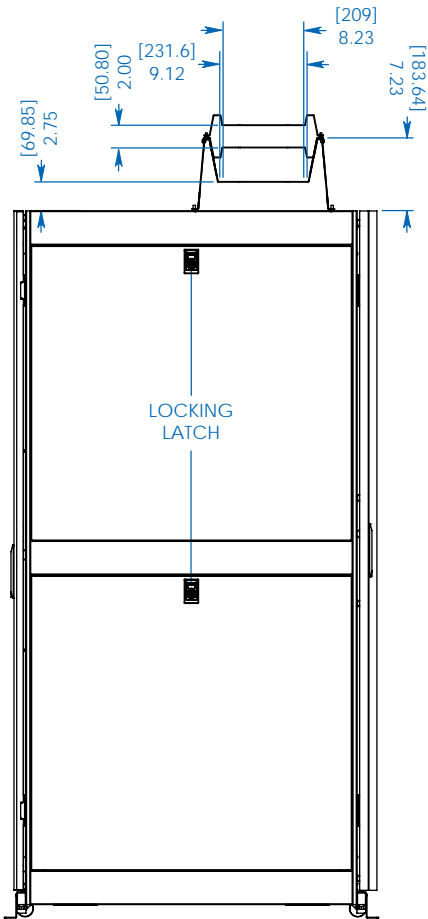
Dimensions: [mm] INCHES
 Tripp Lite has a policy of continuous improvement. Specifications are subject to change without notice.



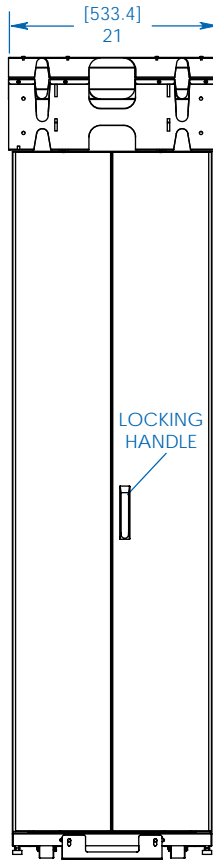
BOTTOM VIEW



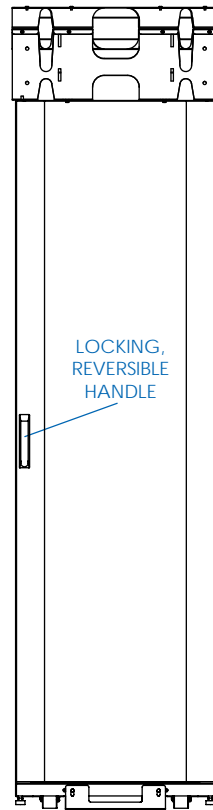
TOP VIEW



SIDE VIEW



REAR VIEW



FRONT VIEW

OPTIONAL SRCABLETRAY AND SRCABLETRAYEXP CABLE MANAGEMENT ACCESSORIES SHOWN (MOUNTING POSITION ADJUSTS TO ACCOMMODATE A WIDE RANGE OF APPLICATIONS)

MODELS:
SR42UB1032
SR42UBEXP1032



1111 W. 35th Street
 Chicago, IL 60609 USA
 773.869.1234
 www.tripplite.com

Dimensions: [mm] INCHES

Tripp Lite has a policy of continuous improvement. Specifications are subject to change without notice.