

SmartOnline® S3M-Series 3-Phase UPS Systems

10-20kVA Models

Maximum Current and Power Cable Configuration

	S3M10K1B	S3M10K2B	S3M10K3B	S3M10K-NIB*
Max Input Current	37.6A	37.6A	37.6A	37.6A
Rec. OCPD (A)	Rec. OCPD approx. 125% of Max AC input current			
Input Power Cable (Phase)	8 AWG, 8 mm ²	8 AWG, 8 mm ²	8 AWG, 8 mm ²	8 AWG, 8 mm ²
Input Power Cable (Neutral)	8 AWG, 8 mm ²	8 AWG, 8 mm ²	8 AWG, 8 mm ²	8 AWG, 8 mm ²
Output Power Cable (Phase)	8 AWG, 8 mm ²	8 AWG, 8 mm ²	8 AWG, 8 mm ²	8 AWG, 8 mm ²
Output Power Cable (Neutral)	8 AWG, 8 mm ²	8 AWG, 8 mm ²	8 AWG, 8 mm ²	8 AWG, 8 mm ²
Ground Cable	8 AWG, 8 mm ²	8 AWG, 8 mm ²	8 AWG, 8 mm ²	8 AWG, 8 mm ²
Fixation Torque Force	6.5N·m			
Heat Dissipation (BTU/hr)	2457			
Dimensions: H x W x D in. (mm)	34.21 x 9.84 x 35.66 (868.88 x 250 x 905.70)			
Weight (lb./kg)	300/136	412/187	522/237	178/81
Floor Loading (lb./ft. ²) / (kg/m ²)	124/604	170/831	216/1053	74/360

	S3M15K2B	S3M15K3B	S3M15K-NIB*	S3M20K3B	S3M20K-NIB*
Max Input Current	56.5A	56.5A	56.5A	75.4A	75.4A
Rec. OCPD (A)	Rec. OCPD approx. 125% of Max AC input current				
Input Power Cable (Phase)	6 AWG, 13 mm ²	6 AWG, 13 mm ²	6 AWG, 13 mm ²	4 AWG, 25 mm ²	4 AWG, 25 mm ²
Input Power Cable (Neutral)	6 AWG, 13 mm ²	6 AWG, 13 mm ²	6 AWG, 13 mm ²	4 AWG, 25 mm ²	4 AWG, 25 mm ²
Output Power Cable (Phase)	6 AWG, 13 mm ²	6 AWG, 13 mm ²	6 AWG, 13 mm ²	4 AWG, 25 mm ²	4 AWG, 25 mm ²
Output Power Cable (Neutral)	6 AWG, 13 mm ²	6 AWG, 13 mm ²	6 AWG, 13 mm ²	4 AWG, 25 mm ²	4 AWG, 25 mm ²
Ground Cable	6 AWG, 13 mm ²	6 AWG, 13 mm ²	6 AWG, 13 mm ²	4 AWG, 25 mm ²	4 AWG, 25 mm ²
Fixation Torque Force	6.5N·m				
Heat Dissipation (BTU/hr)	3686			4915	
Dimensions: H x W x D in. (mm)	34.17 x 9.84 x 35.43 (868 x 250 x 900)				
Weight (lb./kg)	414/188	524/238	181/82	527/239	183/83
Floor Loading (lb./ft. ²) / (kg/m ²)	171/836	217/1058	75/364	218/1062	76/369

* Suffix "-NIB" UPS or battery cabinet models do not include internal batteries. However, they include all of the interconnecting cables and breakers and are ready to be upgraded with batteries.



1111 W. 35th Street
Chicago, IL 60609 USA
773.869.1234
tripplite.com

S3M10-20K UPS to Battery Cabinet Model compatibility

- Please consult the corresponding battery cabinet owner's manual for the maximum current and power cable configuration requirements.
- Nominal Battery Voltage: +/-120V DC

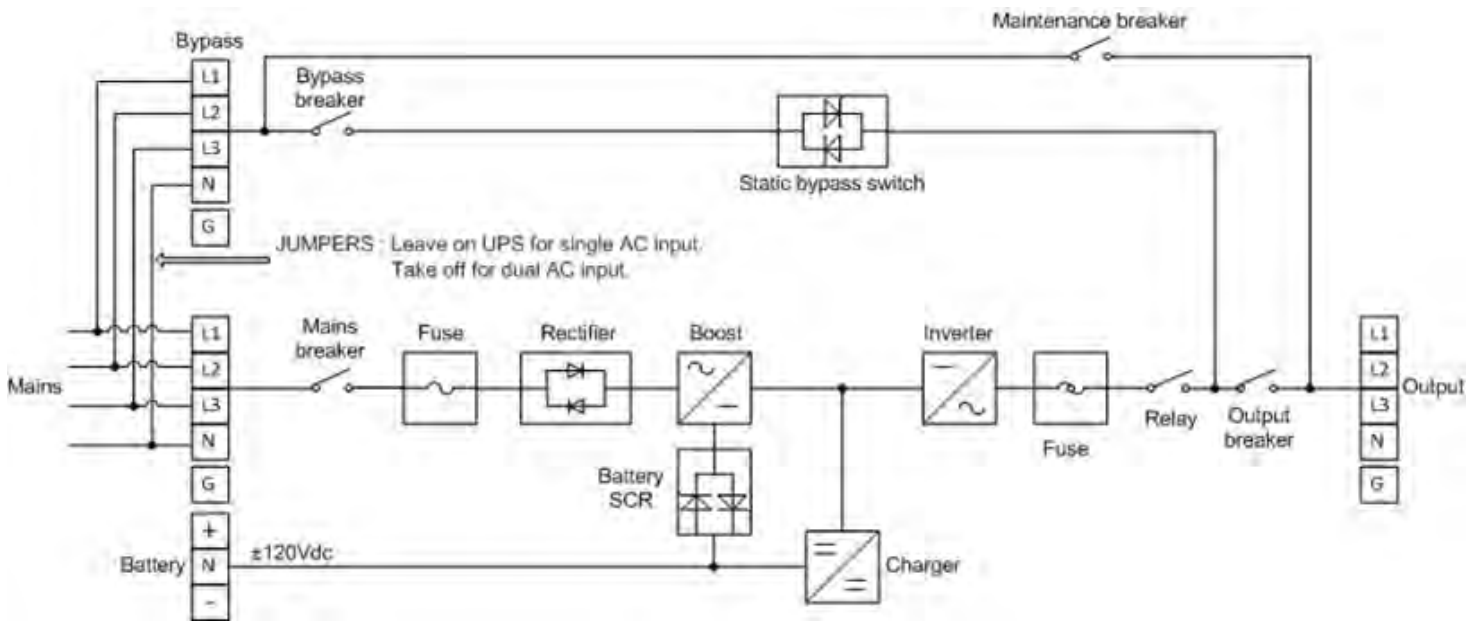
UPS models		BP240V09/ BP240V09K (4 x 20 x 9AH)	BP240V40 (20 x 40AH)	BP240V40L (2 x 20 x 40AH)	BP240V65 (20 x 65AH)	BP240V65L (2 x 20 x 65AH)	BP240V100 (20 x 100AH)	BP240V100L (2 x 20 x 100AH)
		BP240V09-NIB* (No batteries)	BP240V40-NIB* (No batteries)	BP240V40L-NIB* (No batteries)	BP240V65-NIB* (No batteries)	BP240V65L-NIB* (No batteries)	BP240V100-NIB* (No batteries)	BP240V100L-NIB* (No batteries)
10-20kVA UPS with Internal (9AH) batteries	S3M10K1B S3M10K2B S3M10K3B S3M15K2B S3M15K3B S3M20K3B	Yes	Not compatible	Not compatible	Not compatible	Not compatible	Not compatible	Not compatible
10-20kVA UPS with NO Internal batteries	S3M10K-NIB* S3M15K-NIB* S3M20K-NIB*	Yes	Yes	Yes	Yes	Yes	Yes	Not compatible

* Suffix "-NIB" UPS or battery cabinet models do not include internal batteries. However, they include all of the interconnecting cables and breakers and are ready to be upgraded with batteries.



1111 W. 35th Street
Chicago, IL 60609 USA
773.869.1234
tripplite.com

UPS Block Diagram

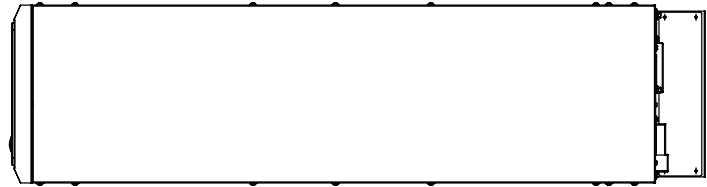


SmartOnline® S3M-Series
3-Phase UPS Systems

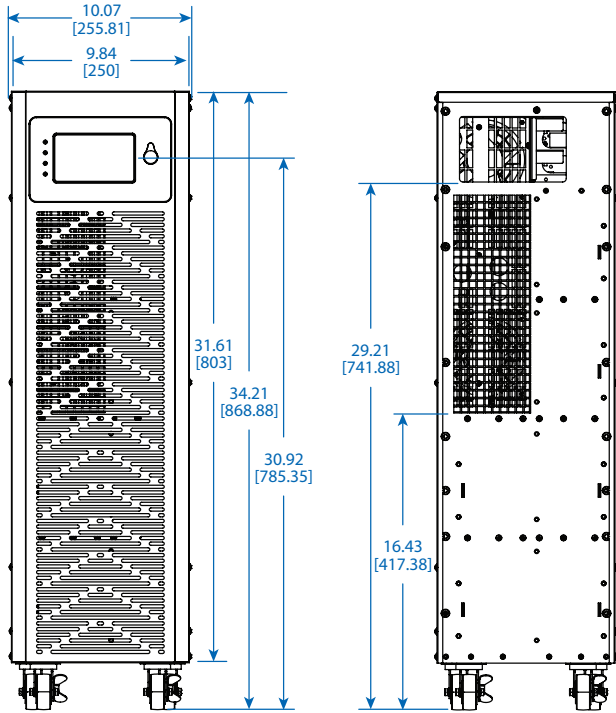


1111 W. 35th Street
Chicago, IL 60609 USA
773.869.1234
tripplite.com

S3M10K, S3M15K & S3M20K

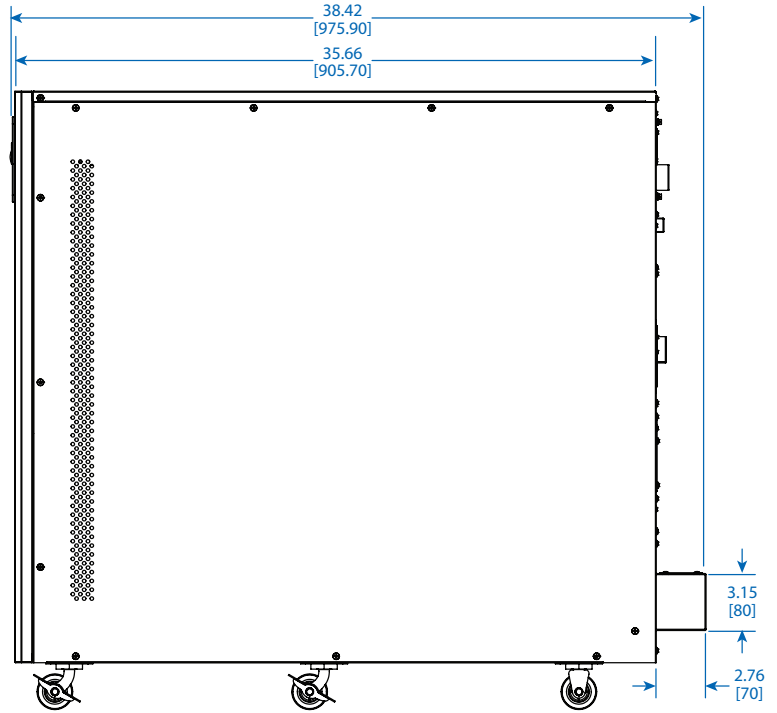


TOP VIEW

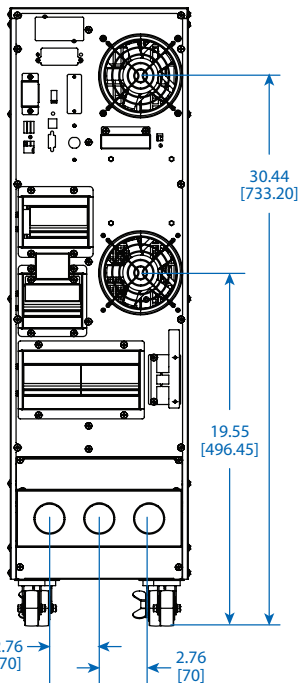


FRONT VIEW

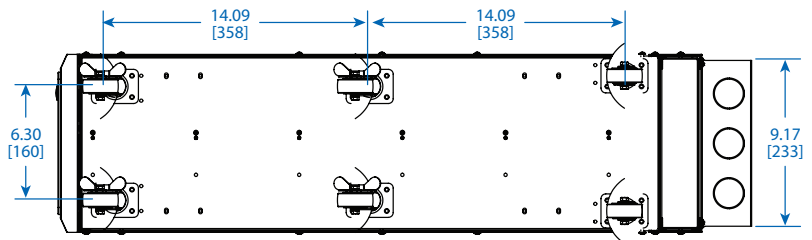
FRONT VIEW
(NO COVER)



SIDE VIEW



REAR VIEW



BOTTOM VIEW

Dimensions: INCHES [mm]

Tripp Lite has a policy of continuous improvement. Specifications are subject to change without notice. Photos and illustrations may differ slightly from actual products.

SmartOnline® S3M-Series
3-Phase UPS Systems



1111 W. 35th Street
Chicago, IL 60609 USA
773.869.1234
tripplite.com