

MODEL:

PDUMVR30NETLX

Switched Rack-Mount PDU with Outlet-Level Current Monitoring



Single-Phase Input/Output



2.9kW Load Capacity



24 Outlets



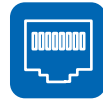
L5-30P Plug



30A Max Capacity



Multimode Load Meter



HTML5 Network Interface



0U Rack-Mount



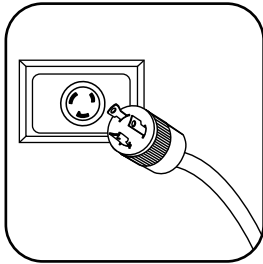
Toolless Mounting Buttons



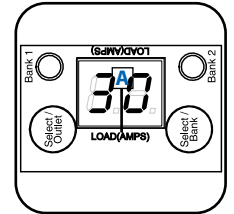
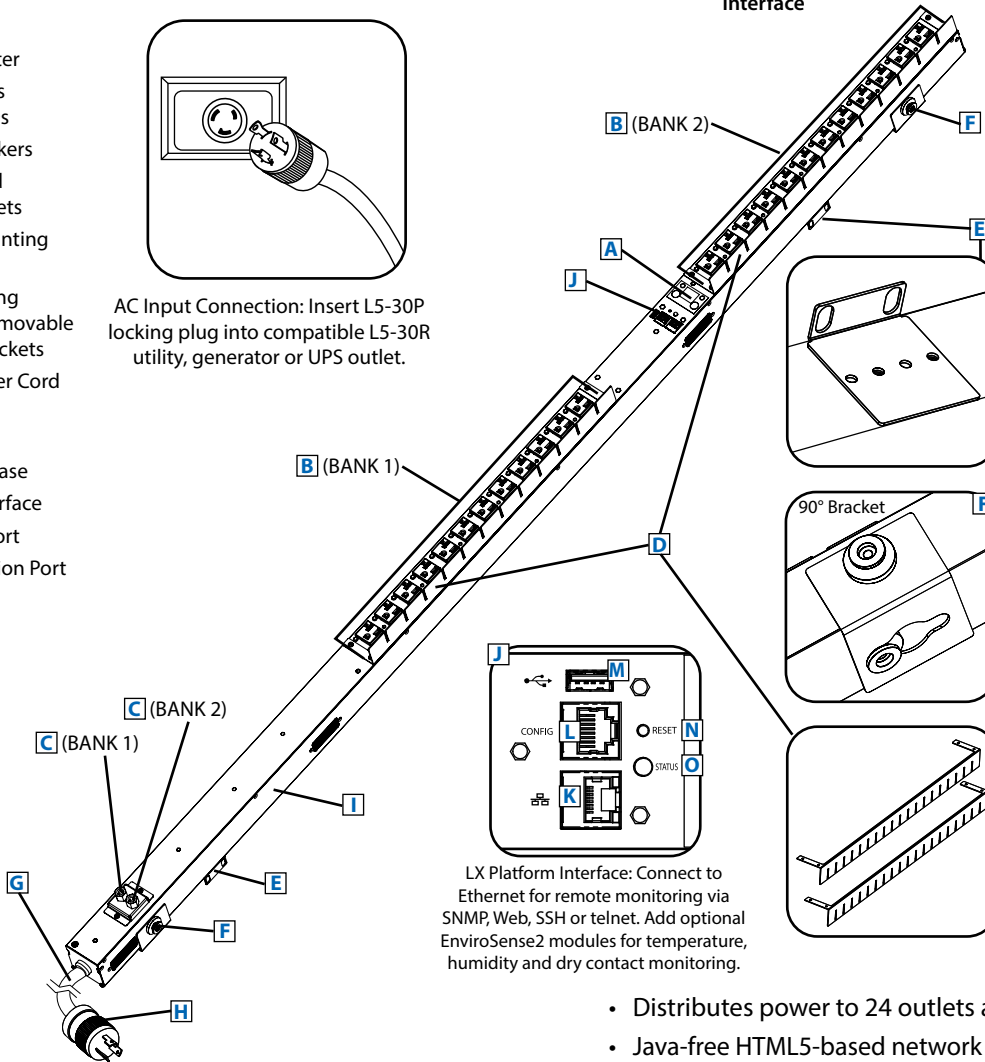
TAA Compliant

- A** Digital Load Meter
- B** 5-15/20R Outlets with On/Off LEDs
- C** 20A Circuit Breakers
- D** Removable Cord Retention Brackets
- E** Removable Mounting Brackets
- F** Toolless Mounting Buttons with Removable 90° Rotation Brackets
- G** 10 ft. Input Power Cord
- H** L5-30P Locking Input Plug
- I** Durable Metal Case
- J** LX Platform Interface
- K** RJ45 Ethernet Port
- L** RJ45 Configuration Port
- M** USB-A Port
- N** Reset Button
- O** Status LED

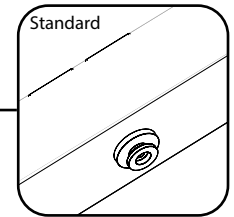
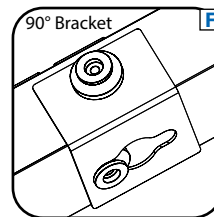
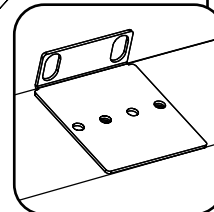
Also Includes:
Configuration Cable,
Cable Ties,
Owner's Manual



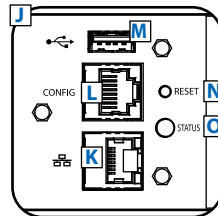
AC Input Connection: Insert L5-30P locking plug into compatible L5-30R utility, generator or UPS outlet.



Multi-Mode Load Meter: Press the "Select Outlet" button to display load for each individual outlet. Press "Select Bank" button to display load for bank 1, bank 2 or both banks combined.



Note: Installed 17.67 mm toolless mounting buttons can be replaced with included 14.17 mm buttons for additional compatibility.



LX Platform Interface: Connect to Ethernet for remote monitoring via SNMP, Web, SSH or telnet. Add optional EnviroSense2 modules for temperature, humidity and dry contact monitoring.

- Distributes power to 24 outlets arranged in two banks
- Java-free HTML5-based network interface allows for remote monitoring and control via SNMP, Web, SSH or telnet
- Displays load for each individual outlet, load bank or both load banks combined in real time.
- Perfect for rack-mount server, network and telecom applications

SEE NEXT PAGE FOR DETAILED UNIT MEASUREMENTS



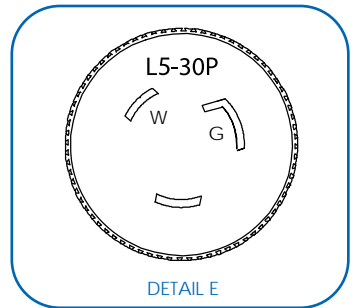
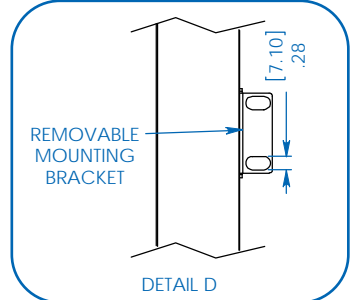
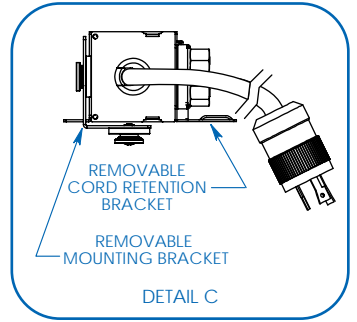
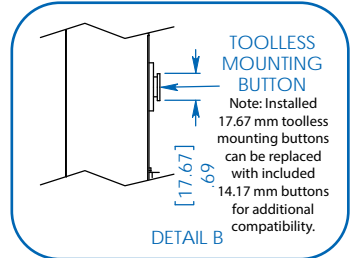
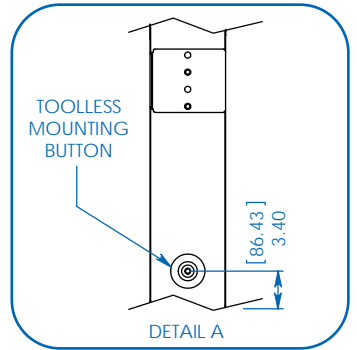
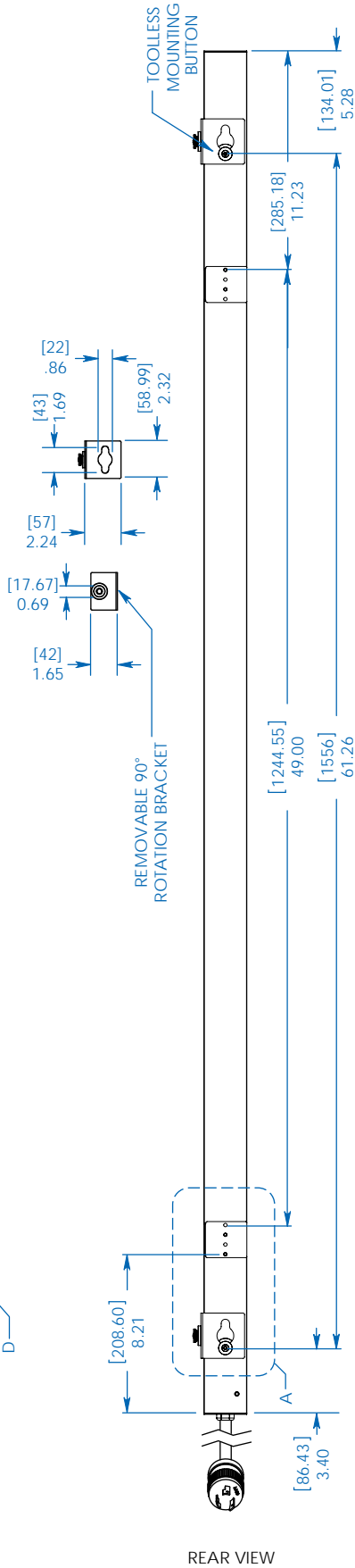
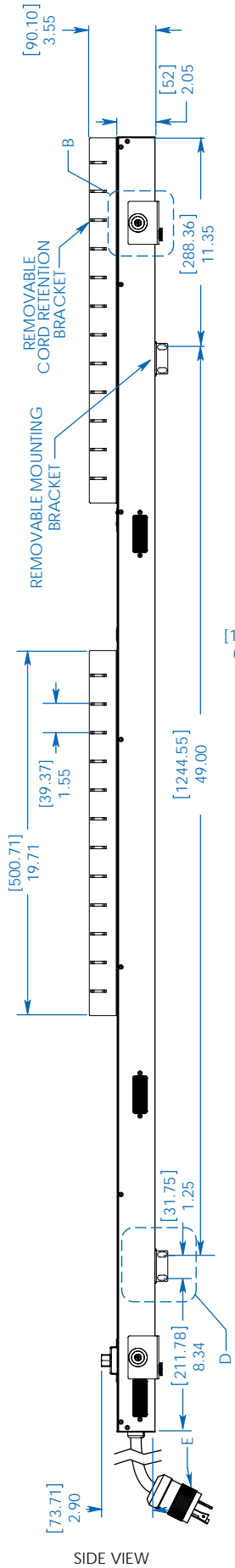
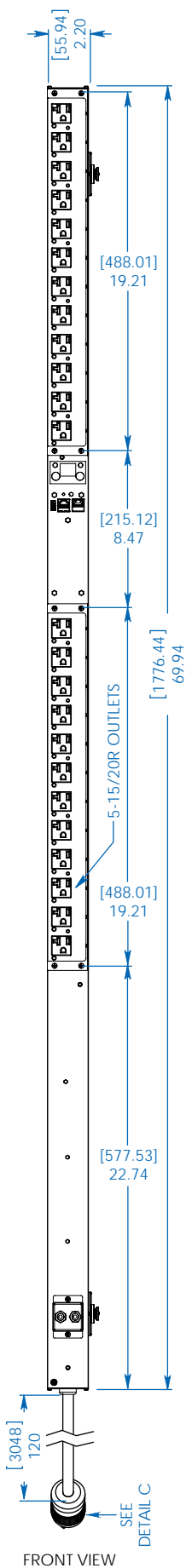
1111 W. 35th Street
Chicago, IL 60609 USA
773.869.1234
www.tripplite.com

Specifications

| | |
|-----------------------------|--|
| Model | PDUMVR30NETLX |
| Voltage | 100/120/127V |
| Frequency | 50/60 Hz |
| Maximum Capacity | 30A |
| Agency-Derated Capacity | 24A |
| Input Connector | L5-30P |
| Cord Length | 10 ft. / 3 m |
| Outlets | 24 (5-15/20R) |
| Primary Mounting Option | 0U (Vertical) Rack-Mount |
| Unit Dimensions (H x W x D) | 70 x 2.2 x 2.0 in. / 178 x 5.6 x 5.2 cm |
| Unit Weight | 9.9 lb. / 4.5 kg |
| Regulatory Compliance | Meets UL 60950-1 (US & Canada), NOM (Mexico), FCC Class A and RoHS standards |

Tripp Lite has a policy of continuous improvement. Specifications are subject to change without notice.





Dimensions: [mm] INCHES

Tripp Lite has a policy of continuous improvement. Specifications are subject to change without notice.

MODEL:
PDUMVR30NETLX



1111 W. 35th Street
Chicago, IL 60609 USA
773.869.1234

www.tripplite.com