

MODEL:

# PDUMV15NETLX

## Single-Phase Switched 0U Vertical PDU



100/120/127V  
Single-Phase  
Input/Output



16 Outlets



1.4kW



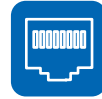
15A Max  
Capacity



5-15P Plug



Load Meter



Network  
Interface



0U  
Rackmount



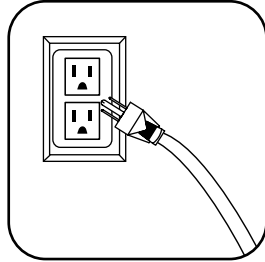
Toolless  
Mounting  
Buttons



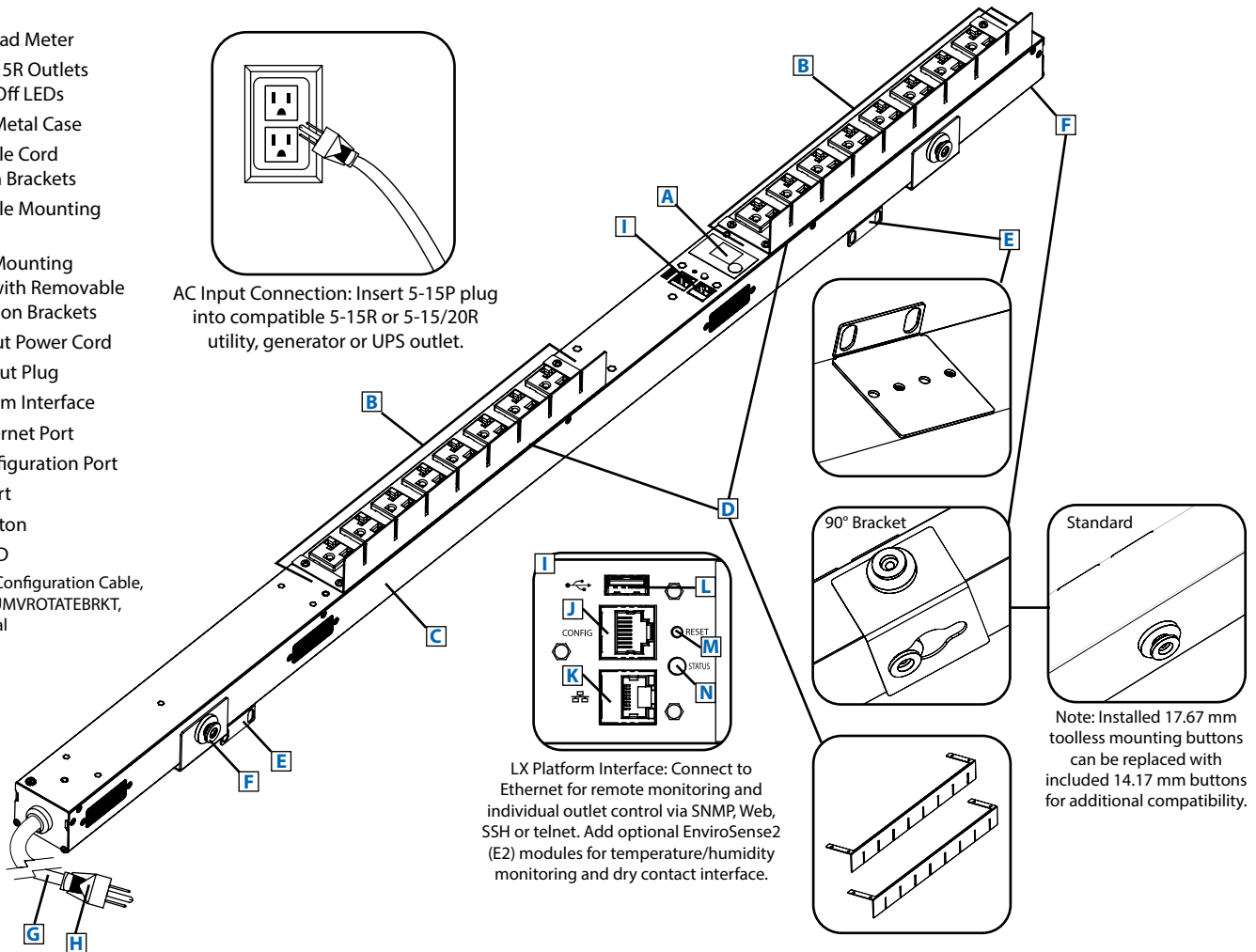
TAA  
Compliant

- A** Digital Load Meter
- B** NEMA 5-15R Outlets with On/Off LEDs
- C** Durable Metal Case
- D** Removable Cord Retention Brackets
- E** Removable Mounting Brackets
- F** Toolless Mounting Buttons with Removable 90° Rotation Brackets
- G** 10 ft. Input Power Cord
- H** 5-15P Input Plug
- I** LX Platform Interface
- J** RJ45 Ethernet Port
- K** RJ45 Configuration Port
- L** USB-A Port
- M** Reset Button
- N** Status LED

Also includes: Configuration Cable, Cable Ties, PDUMVROTATEBRKT, Owner's Manual



AC Input Connection: Insert 5-15P plug into compatible 5-15R or 5-15/20R utility, generator or UPS outlet.



LX Platform Interface: Connect to Ethernet for remote monitoring and individual outlet control via SNMP, Web, SSH or telnet. Add optional EnviroSense2 (E2) modules for temperature/humidity monitoring and dry contact interface.

Note: Installed 17.67 mm toolless mounting buttons can be replaced with included 14.17 mm buttons for additional compatibility.

### Specifications

Model	PDUMV15NETLX
Voltage	100/120/127V
Frequency	50/60 Hz
Maximum Capacity	15A
Agency-Derated Capacity	12A
Input Connector	5-15P
Cord Length	10 ft. / 3 m
Outlets	16 (NEMA 5-15R)
Primary Mounting Option	0U (Vertical) Rack Mount
Unit Dimensions (H x W x D)	49 x 2.2 x 2.7 in. / 1245 x 56 x 67 mm <i>See next page for detailed unit measurements.</i>
Unit Weight	7.0 lb. / 3.2 kg
Standards	Tested to UL 60950-1 (US & Canada), NOM (Mexico), FCC Class A, RoHS

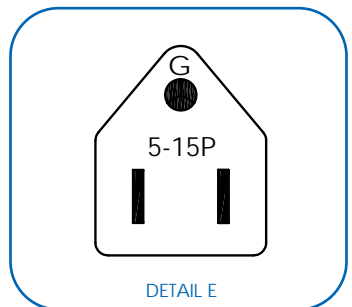
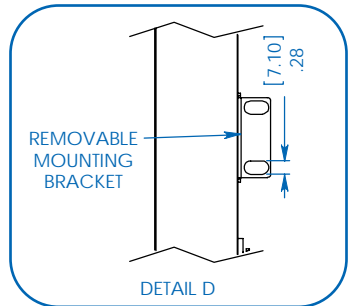
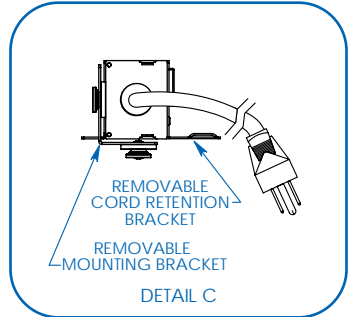
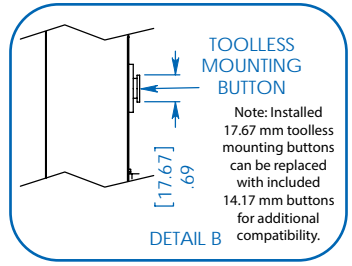
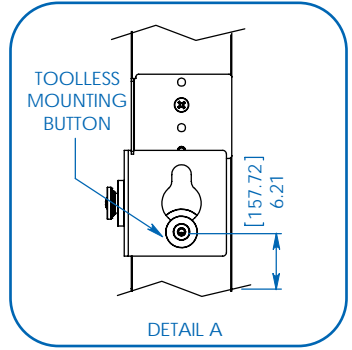
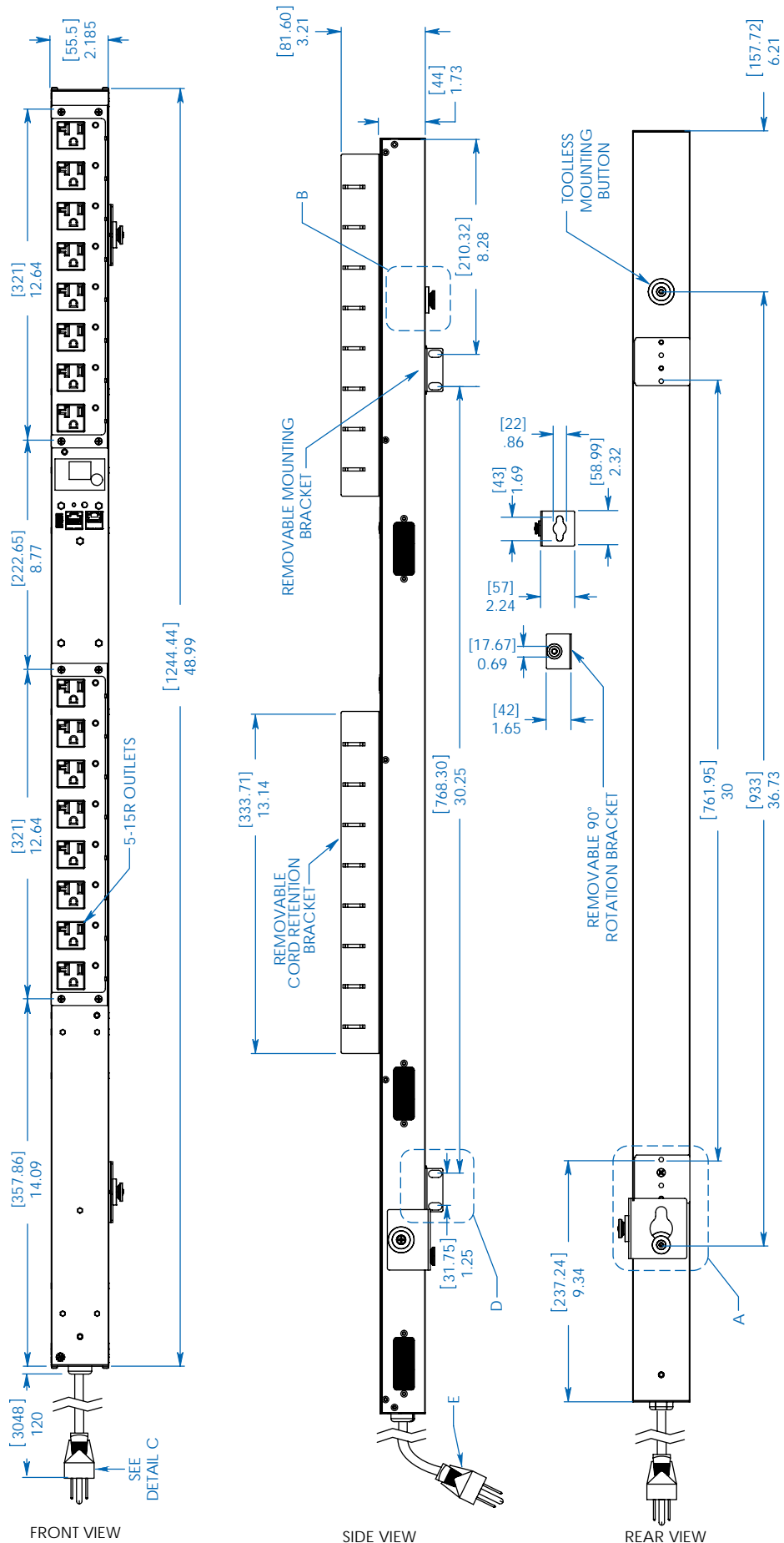


- Distributes power to 16 outlets
- Java-free HTML5-based network interface allows for remote monitoring and control via SNMP, Web, SSH or telnet
- Displays total load in real time
- Perfect for rack-mount server, network and telecom applications

**SEE NEXT PAGE FOR DETAILED UNIT MEASUREMENTS**



1111 W. 35th Street  
Chicago, IL 60609 USA  
773.869.1234  
www.tripplite.com



MODEL:  
**PDUMV15NETLX**

**TRIPP-LITE**

1111 W. 35th Street  
 Chicago, IL 60609 USA  
 773.869.1234  
 www.triplite.com

Dimensions: [mm] INCHES

Tripp Lite has a policy of continuous improvement. Specifications are subject to change without notice.