

MODEL:

PDUMNV32HV2LX

Monitored 0U Vertical PDU



**High Voltage
Input/Output**



**IEC 309 32A
Blue Plug**



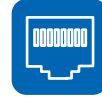
42 Outlets



**7.4kW Load
Capacity**



**Multimode
Load Meter**



**HTML5
Network
Interface**



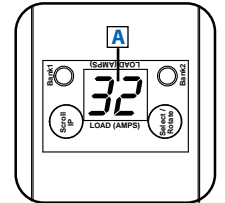
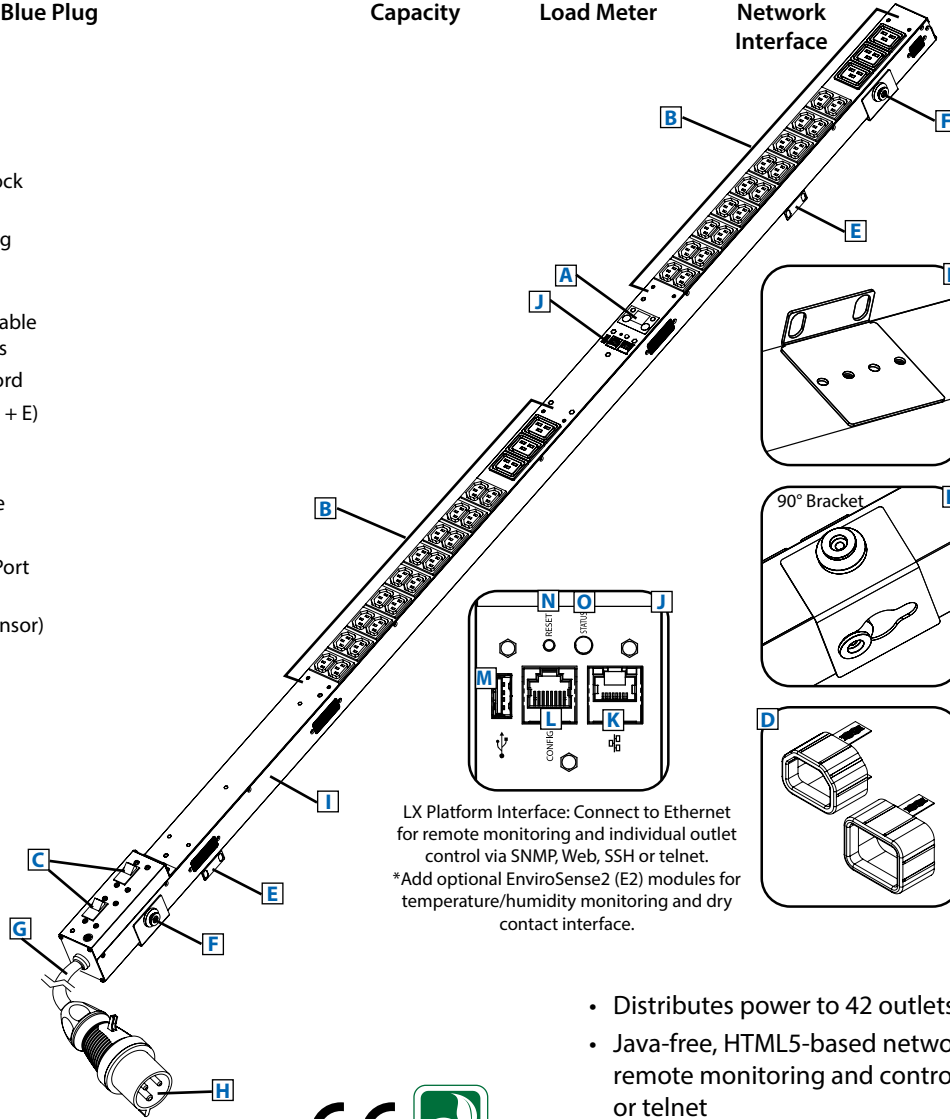
0U Rackmount



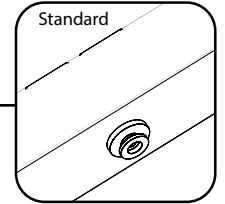
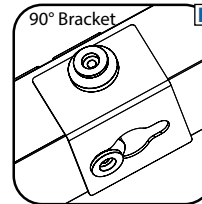
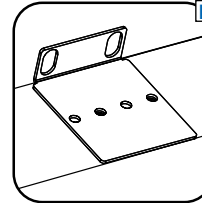
**Toolless
Mounting
Buttons**

- A** Digital Load Meter
- B** C13 and C19 Outlets
- C** 15A Circuit Breakers
- D** C13 and C19 Plug-Lock Inserts
- E** Removable Mounting Brackets
- F** Toolless Mounting Buttons with Removable 90° Rotation Brackets
- G** 10 ft. Input Power Cord
- H** IEC 309 32A Blue (2P + E) Input Plug
- I** Durable Metal Case
- J** LX Platform Interface
- K** Ethernet Port
- L** RJ45 Configuration Port
- M** USB-A Port (for EnviroSense2 Sensor)
- N** Network Interface Reset Button
- O** Status LED

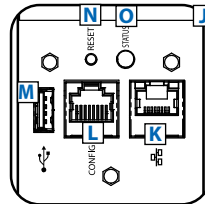
Not Shown: Configuration Cable, Owner's Manual



Multimode Load Meter: Press the "Select" button to switch modes—display the load for bank 1, bank 2 or both banks combined.



Note: Installed 17.67 mm toolless mounting buttons can be replaced with included 14.17 mm buttons for additional compatibility.



LX Platform Interface: Connect to Ethernet for remote monitoring and individual outlet control via SNMP, Web, SSH or telnet.
*Add optional EnviroSense2 (E2) modules for temperature/humidity monitoring and dry contact interface.

Specifications

Model	PDUMNV32HV2LX
Voltage	230V
Frequency	50/60 Hz
Maximum Capacity	32A
Input Connector	IEC 309 32A Blue (2P + E)
Cord Length	10 ft. / 3 m
Outlets	42 (36 C13 / 6 C19)
Primary Mounting Option	0U (Vertical) Rack-Mount
Unit Dimensions	70.5 x 2.2 x 2.65 in. / 1791 x 56 x 67 mm
Unit Weight	9.7 lb. / 4.4 kg
Certifications	Tested to IEC 60950-1: 2005 2nd Edition; EN 60950-1: 2006 (CE), CE Class A (Emissions), RoHS Compliant, TAA Compliant

Tripp Lite has a policy of continuous improvement. Specifications are subject to change without notice.

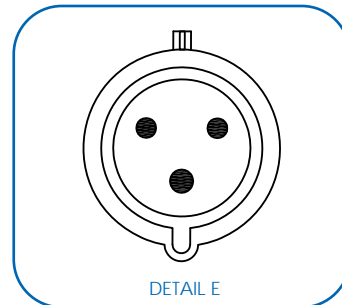
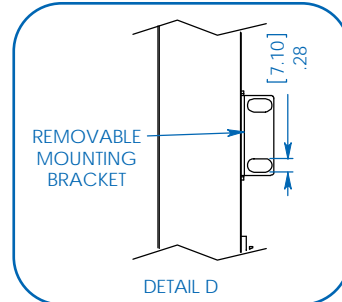
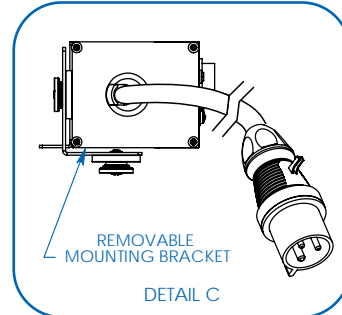
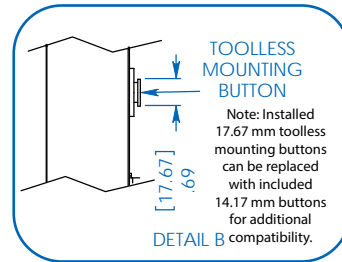
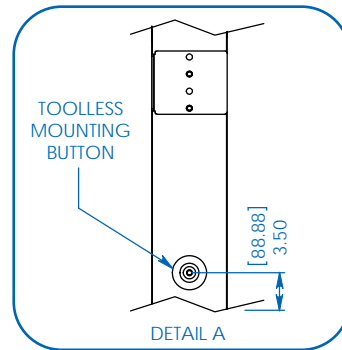
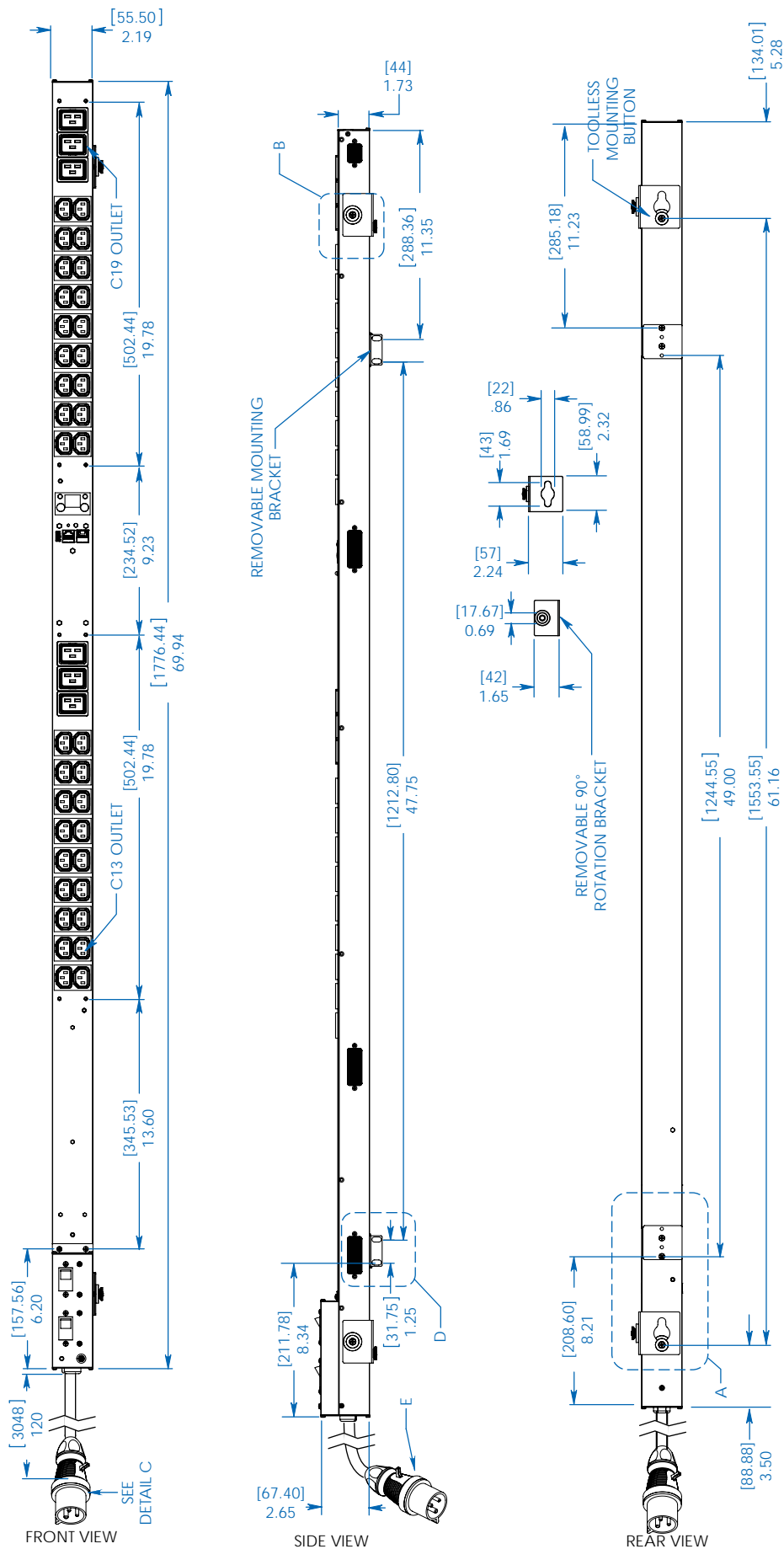


- Distributes power to 42 outlets arranged in two banks
- Java-free, HTML5-based network interface allows for remote monitoring and control via SNMP, Web, SSH or telnet
- Displays load for either outlet bank or both banks combined in real-time
- Perfect for rack-mount server, network and telecom applications

SEE NEXT PAGE FOR DETAILED UNIT MEASUREMENTS



1111 W. 35th Street
Chicago, IL 60609 USA
773.869.1234
www.tripplite.com



MODEL:
PDUMNV32HV2LX



1111 W. 35th Street
Chicago, IL 60609 USA
773.869.1234

www.tripplite.com

Dimensions: [mm] INCHES

Tripp Lite has a policy of continuous improvement. Specifications are subject to change without notice.