

MODEL:

PDUMNV30LX

Single-Phase Monitored 0U Vertical PDU



100/120/127V
Single-Phase
Input/Output



24 Outlets



2.9kW



30A Max
Capacity



L5-30P Plug



Multimode
Load Meter



Network
Interface



0U
Rackmount



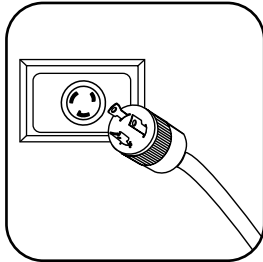
Toolless
Mounting
Buttons



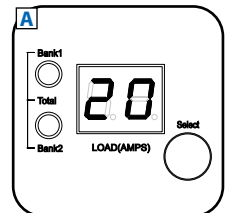
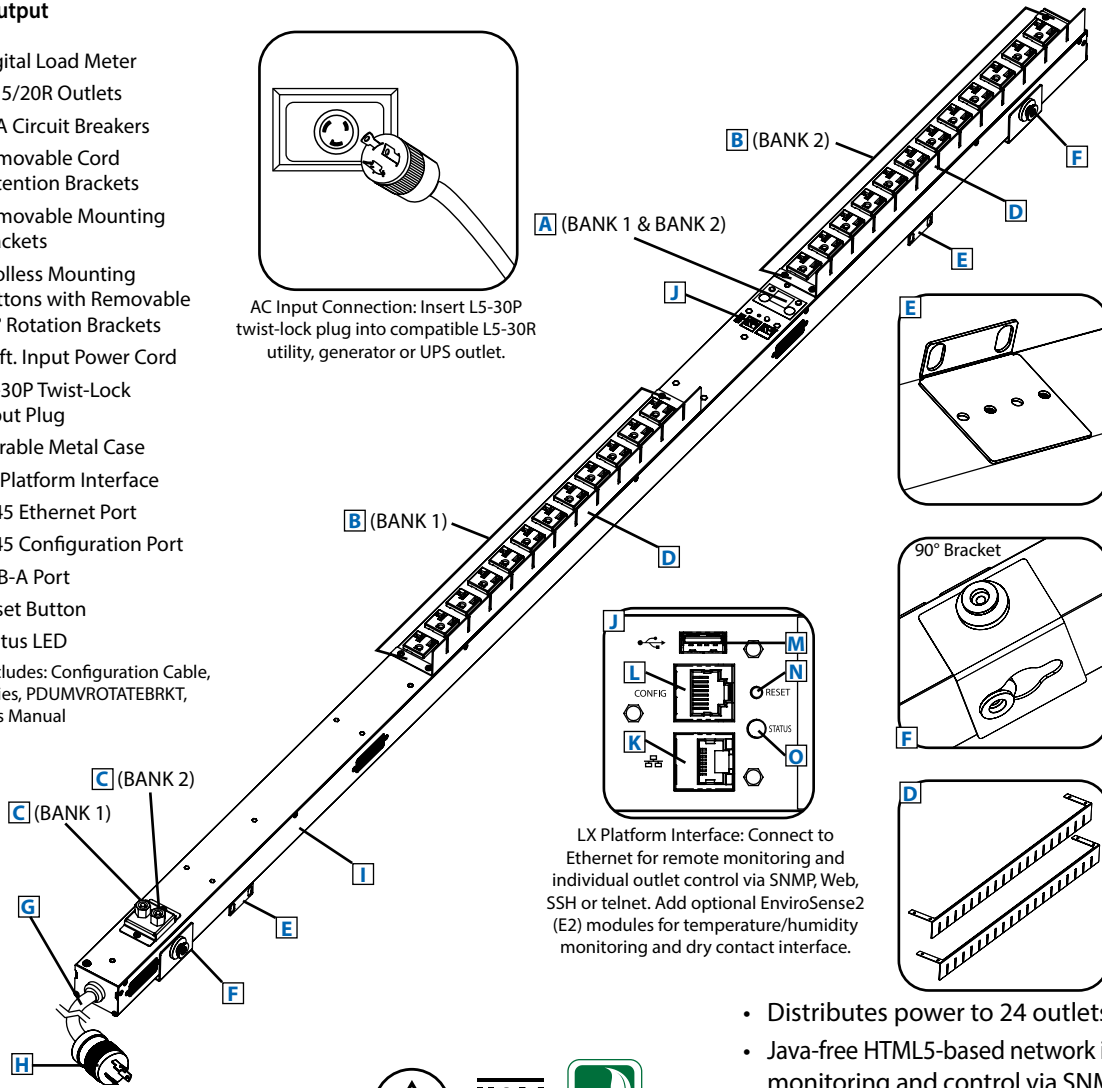
TAA
Compliant

- A** Digital Load Meter
- B** 5-15/20R Outlets
- C** 20A Circuit Breakers
- D** Removable Cord Retention Brackets
- E** Removable Mounting Brackets
- F** Toolless Mounting Buttons with Removable 90° Rotation Brackets
- G** 10 ft. Input Power Cord
- H** L5-30P Twist-Lock Input Plug
- I** Durable Metal Case
- J** LX Platform Interface
- K** RJ45 Ethernet Port
- L** RJ45 Configuration Port
- M** USB-A Port
- N** Reset Button
- O** Status LED

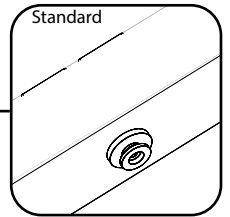
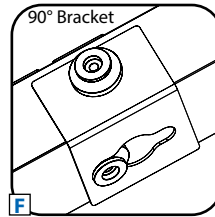
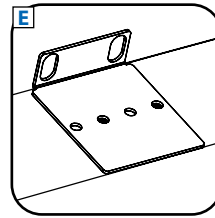
Also includes: Configuration Cable, Cable Ties, PDUMVROTATEBRKT, Owner's Manual



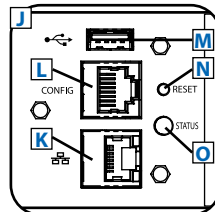
AC Input Connection: Insert L5-30P twist-lock plug into compatible L5-30R utility, generator or UPS outlet.



Multimode Load Meter: Press the "Select" button to switch modes—display the load for bank 1, bank 2 or both banks combined.



Note: Installed 17.67 mm toolless mounting buttons can be replaced with included 14.17 mm buttons for additional compatibility.



LX Platform Interface: Connect to Ethernet for remote monitoring and individual outlet control via SNMP, Web, SSH or telnet. Add optional EnviroSense2 (E2) modules for temperature/humidity monitoring and dry contact interface.

Specifications

Model	PDUMNV30LX
Voltage	100/120/127V
Frequency	50/60 Hz
Maximum Capacity	30A
Agency-Derated Capacity	24A
Input Connector	L5-30P
Cord Length	10 ft. / 3 m
Outlets	24 (5-15/20R)
Primary Mounting Option	0U (Vertical) Rack Mount
Unit Dimensions (H x W x D)	70 x 2.2 x 1.8 in. / 1778 x 556 x 445 mm
	See next page for detailed unit measurements.
Unit Weight	11.5 lb. / 5.2 kg
Standards	Tested to UL 60950-1 (US & Canada), NOM (Mexico), FCC Class A, RoHS

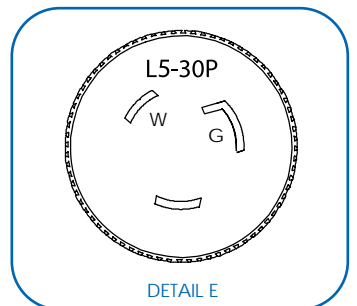
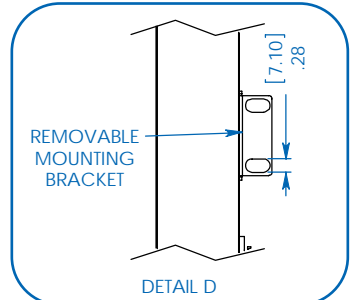
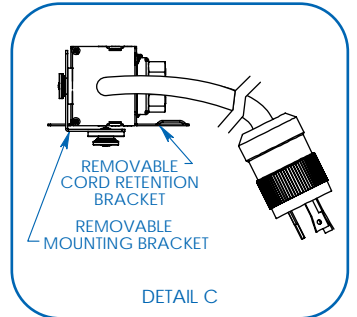
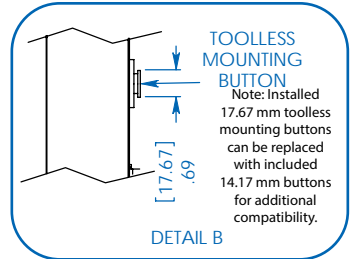
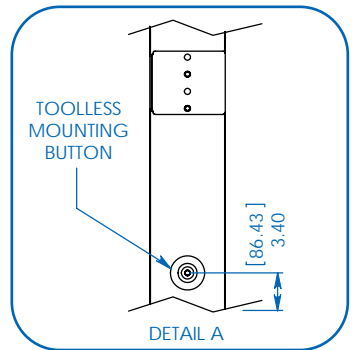
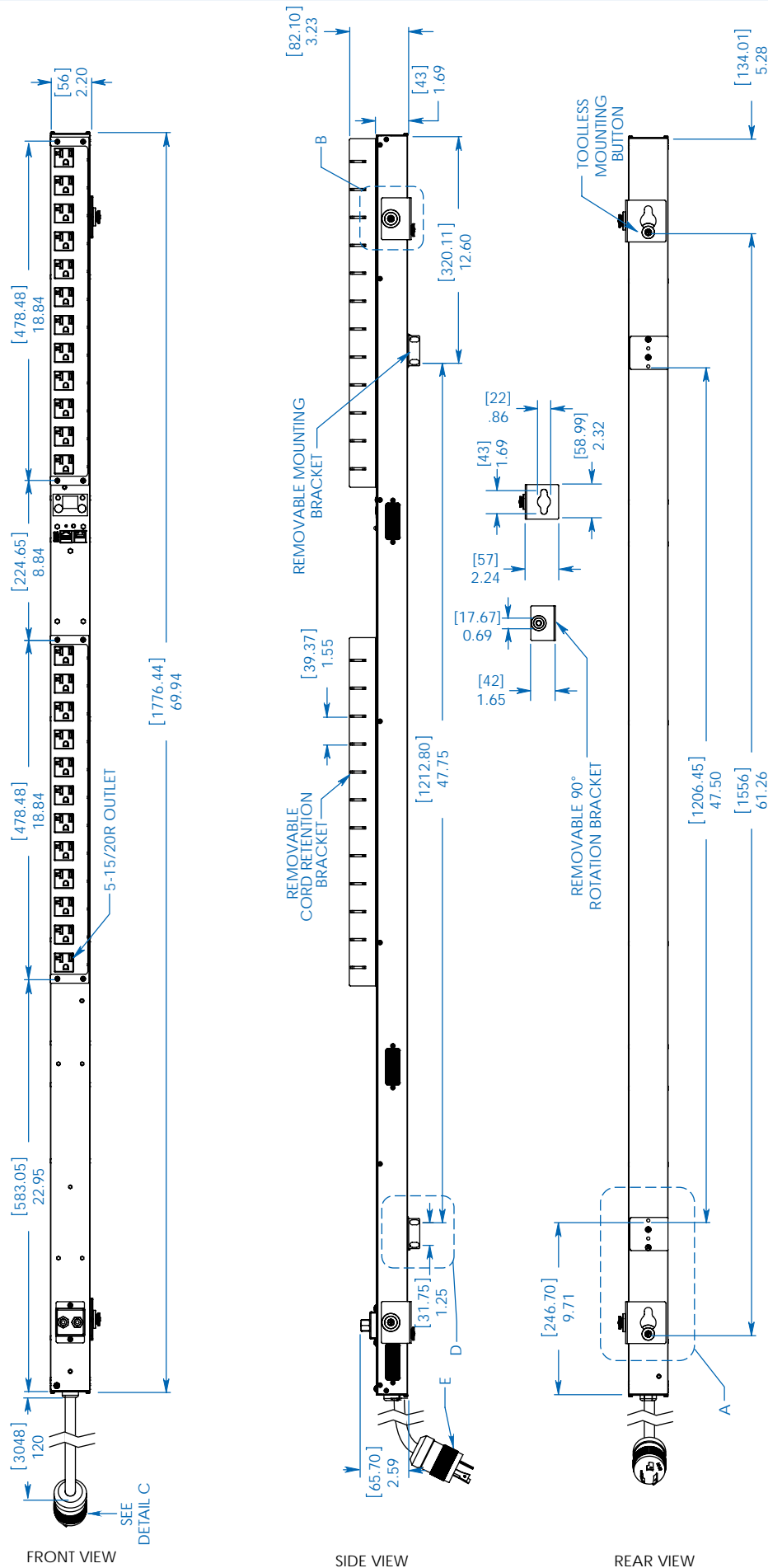


- Distributes power to 24 outlets arranged in two banks
- Java-free HTML5-based network interface allows for remote monitoring and control via SNMP, Web, SSH or telnet
- Displays load for either outlet bank or both banks combined in real time
- Perfect for rack-mount server, network and telecom applications

SEE NEXT PAGE FOR DETAILED UNIT MEASUREMENTS



1111 W. 35th Street
Chicago, IL 60609 USA
773.869.1234
www.tripplite.com



MODEL:
PDUMNV30LX



1111 W. 35th Street
Chicago, IL 60609 USA
773.869.1234

www.tripplite.com

Dimensions: [mm] INCHES

Tripp Lite has a policy of continuous improvement. Specifications are subject to change without notice.