

MODEL:

# PDUMNV30HV2LX

## Monitored 0U Vertical PDU



**High Voltage Input/Output**



**L6-30P Plug**



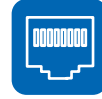
**42 Outlets**



**5.8kW Load Capacity**



**Multimode Load Meter**



**HTML5 Network Interface**

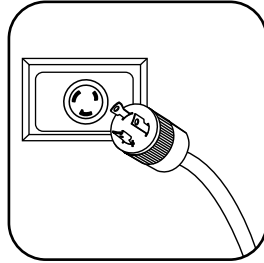


**0U Rackmount**



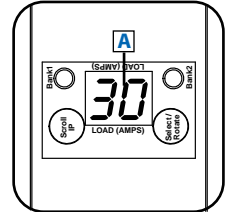
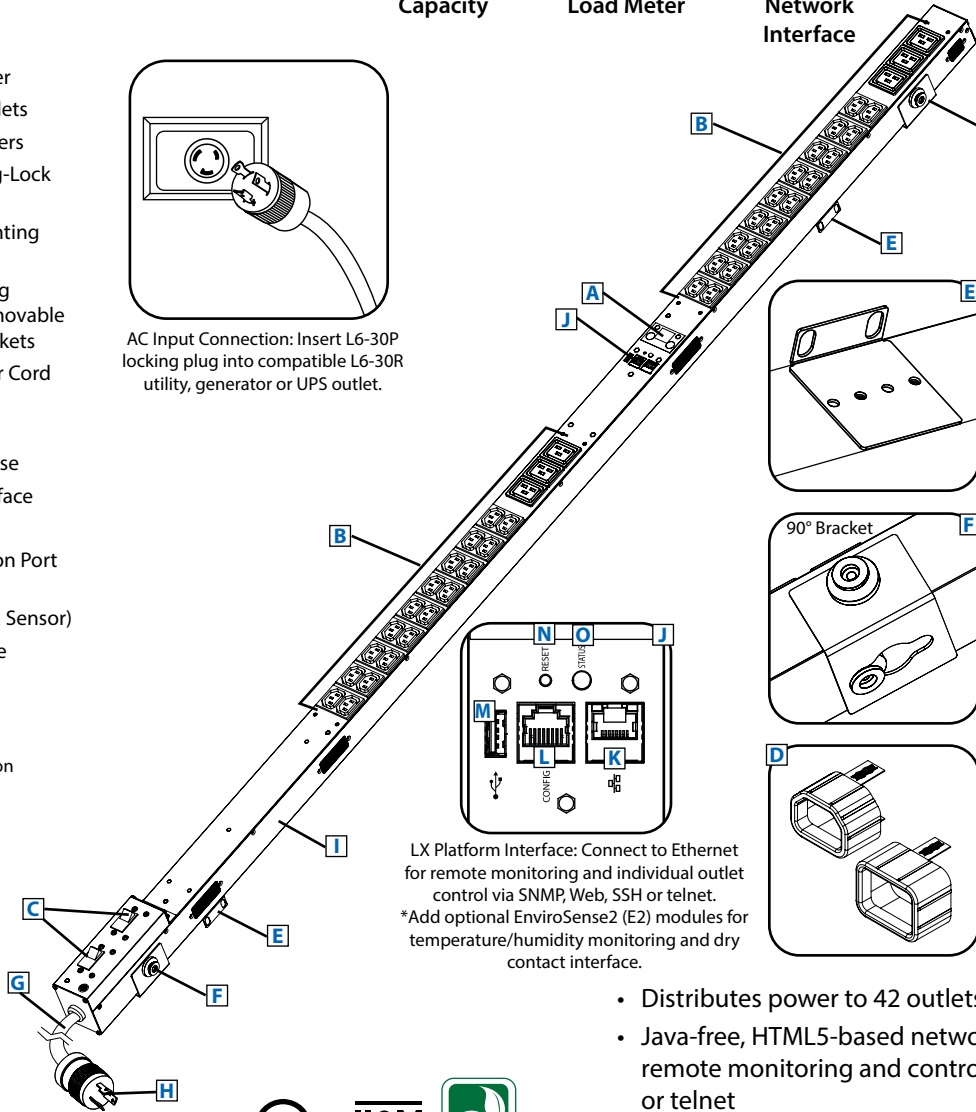
**Toolless Mounting Buttons**

- A** Digital Load Meter
- B** C13 and C19 Outlets
- C** 15A Circuit Breakers
- D** C13 and C19 Plug-Lock Inserts
- E** Removable Mounting Brackets
- F** Toolless Mounting Buttons with Removable 90° Rotation Brackets
- G** 10 ft. Input Power Cord
- H** L6-30P Locking Input Plug
- I** Durable Metal Case
- J** LX Platform Interface
- K** Ethernet Port
- L** RJ45 Configuration Port
- M** USB-A Port (for EnviroSense2 Sensor)
- N** Network Interface Reset Button
- O** Status LED

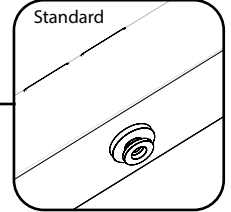
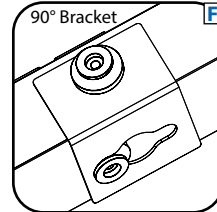
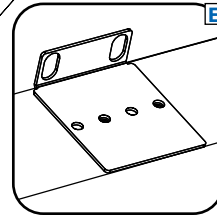


AC Input Connection: Insert L6-30P locking plug into compatible L6-30R utility, generator or UPS outlet.

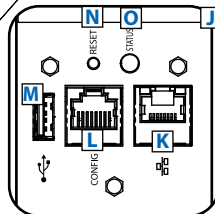
Not Shown: Configuration Cable, Owner's Manual



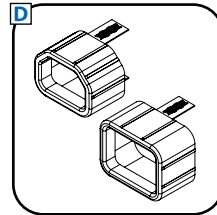
Multimode Load Meter: Press the "Select" button to switch modes—display the load for bank 1, bank 2 or both banks combined.



Note: Installed 17.67 mm toolless mounting buttons can be replaced with included 14.17 mm buttons for additional compatibility.



LX Platform Interface: Connect to Ethernet for remote monitoring and individual outlet control via SNMP, Web, SSH or telnet.  
\*Add optional EnviroSense2 (E2) modules for temperature/humidity monitoring and dry contact interface.



- Distributes power to 42 outlets arranged in two banks
- Java-free, HTML5-based network interface allows for remote monitoring and control via SNMP, Web, SSH or telnet
- Displays load for either outlet bank or both banks combined in real-time
- Perfect for rack-mount server, network and telecom applications

**SEE NEXT PAGE FOR DETAILED UNIT MEASUREMENTS**

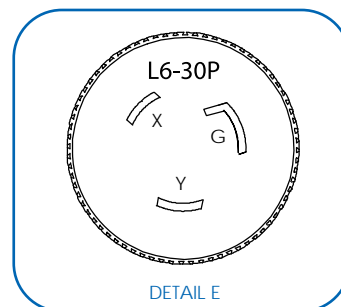
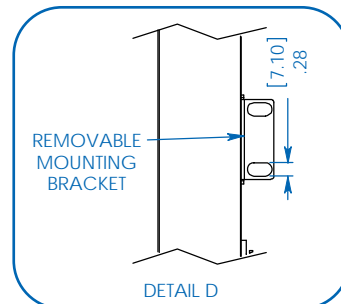
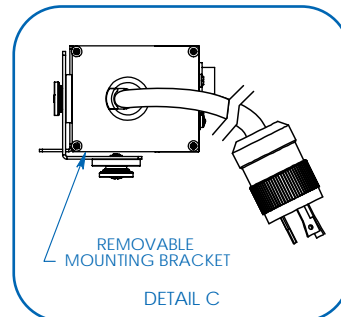
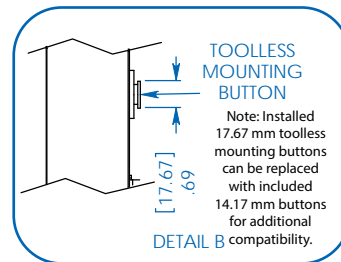
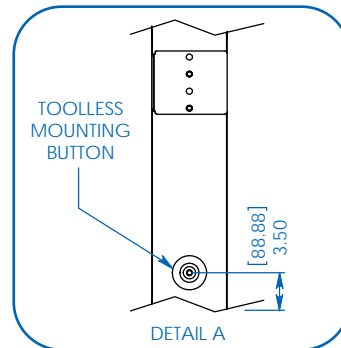
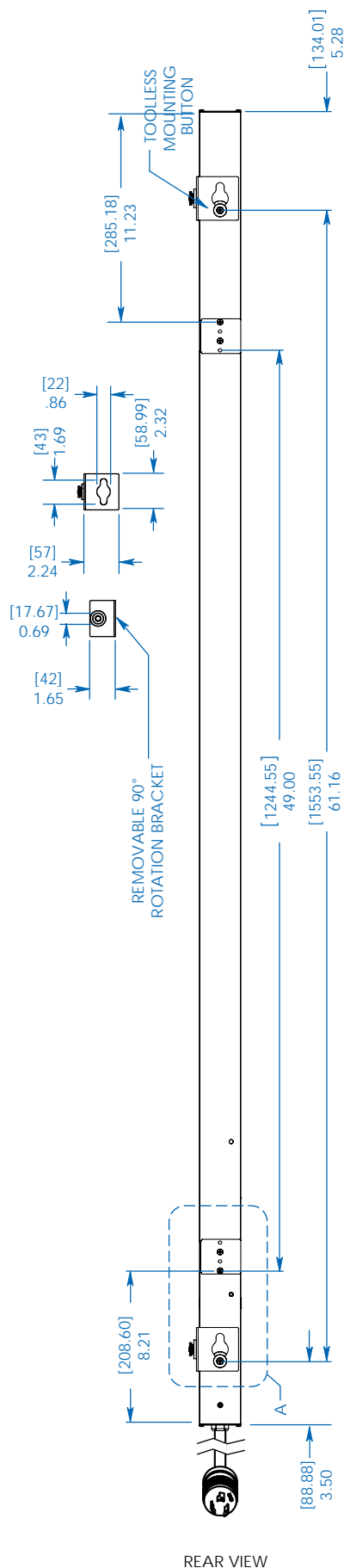
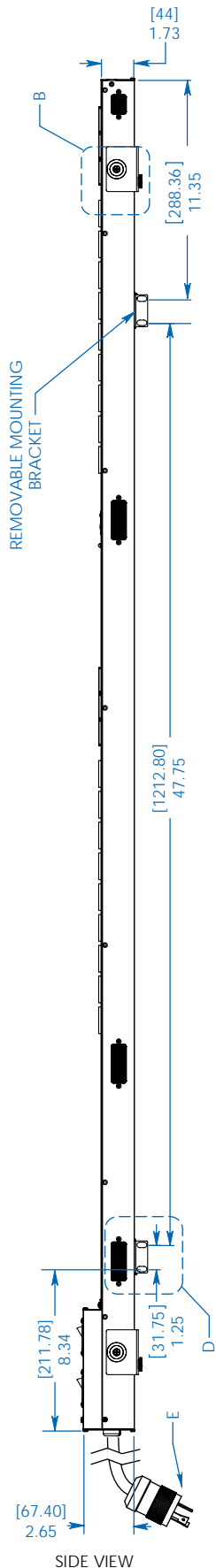
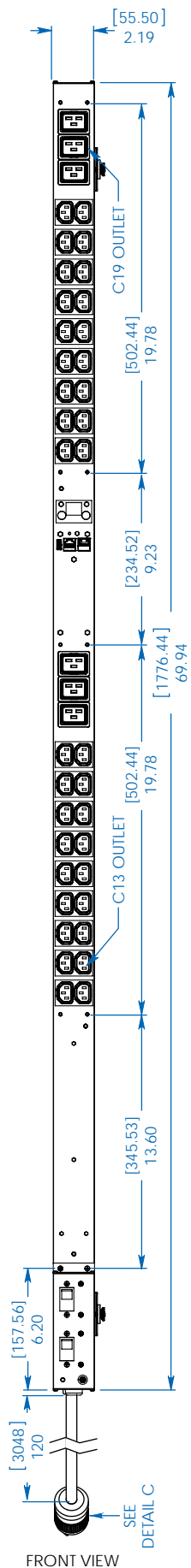
### Specifications

<b>Model</b>	PDUMNV30HV2LX
<b>Voltage</b>	208/240V
<b>Frequency</b>	50/60 Hz
<b>Maximum Capacity</b>	30A
<b>Agency-Derated Capacity</b>	24A
<b>Input Connector</b>	L6-30P
<b>Cord Length</b>	10 ft. / 3 m
<b>Outlets</b>	42 (36 C13 / 6 C19)
<b>Primary Mounting Option</b>	0U (Vertical) Rack-Mount
<b>Unit Dimensions</b>	70.5 x 2.2 x 2.65 in. / 1791 x 56 x 67 mm
<b>Unit Weight</b>	15 lb. / 6.8 kg
<b>Certifications</b>	Tested to UL 60950-1 (US & Canada), NOM (Mexico), FCC Class A

Tripp Lite has a policy of continuous improvement. Specifications are subject to change without notice.



1111 W. 35th Street  
Chicago, IL 60609 USA  
773.869.1234  
www.tripplite.com



MODEL:  
**PDUMNV30HV2LX**



1111 W. 35th Street  
Chicago, IL 60609 USA  
773.869.1234

[www.tripplite.com](http://www.tripplite.com)

Dimensions: [mm] INCHES

Tripp Lite has a policy of continuous improvement. Specifications are subject to change without notice.