

MODEL:

# PDUMNV20LX

## Monitored 0U Vertical PDU



Low Voltage  
Input/Output



24 Outlets



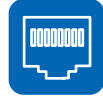
1.9kW Load  
Capacity



L5-20P Plug  
with 5-20P  
Adapter



Load Meter



HTML 5  
Network  
Interface



0U  
Rackmount

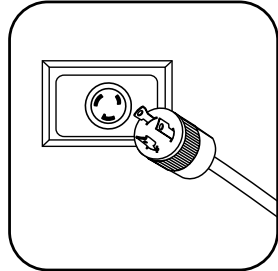


Toolless  
Mounting  
Buttons

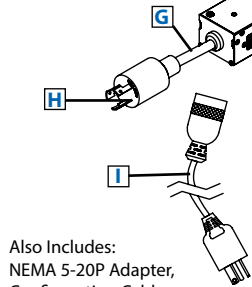


TAA  
Compliant

- A** Digital Load Meter
- B** 5-15/20R Outlets
- C** Durable Metal Case
- D** Removable Cord Retention Brackets
- E** Removable Mounting Brackets
- F** Toolless Mounting Buttons with Removable 90° Rotation Brackets
- G** 10 ft. Input Power Cord
- H** L5-20P Locking Input Plug
- I** L5-20P to 5-20P Plug Adapter
- J** LX Platform Interface
- K** Ethernet Port
- L** RJ45 Configuration Port
- M** USB-A Port
- N** Reset Button
- O** Status LED

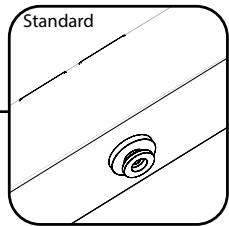
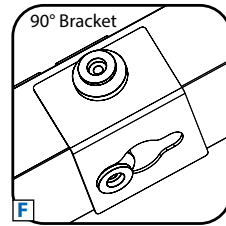
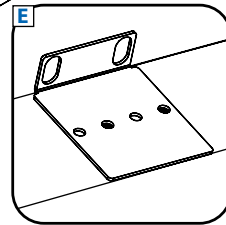


AC Input Connection: Insert L5-20P plug into compatible L5-20R utility, generator or UPS outlet. (Included adapter converts L5-20P to 5-20P for connection to 5-15/20R outlet.)

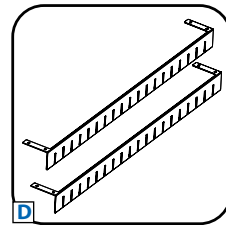


LX Platform Interface: Connect to Ethernet for remote monitoring via SNMP, Web, SSH or telnet. Add optional EnviroSense2 modules for temperature, humidity and dry contact monitoring.

Also Includes:  
NEMA 5-20P Adapter,  
Configuration Cable,  
Cable Ties, Owner's Manual



Note: Installed 17.67 mm toolless mounting buttons can be replaced with included 14.17 mm buttons for additional compatibility.



- Distributes power to 24 outlets
- Java-free, HTML5-based network interface allows for remote monitoring via SNMP, Web, SSH or telnet
- Displays total load in real time
- Perfect for rack-mount server, network and telecom applications

SEE NEXT PAGE FOR DETAILED UNIT MEASUREMENTS

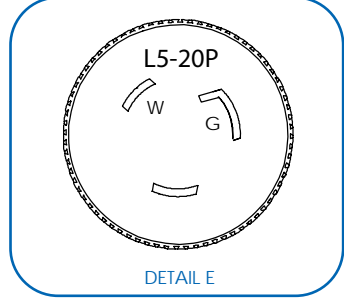
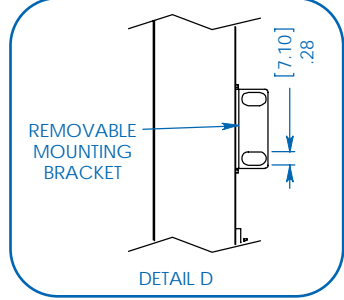
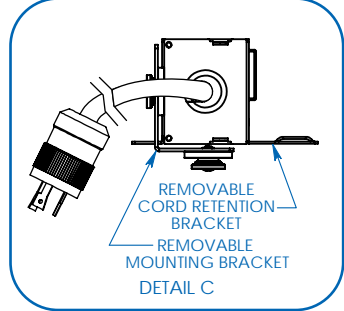
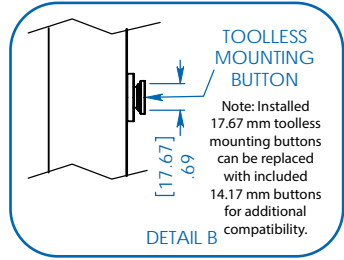
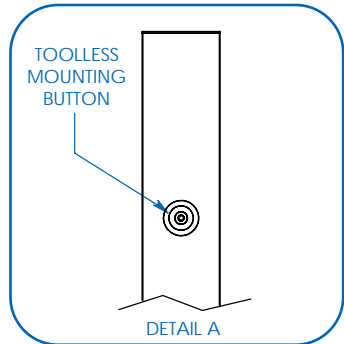
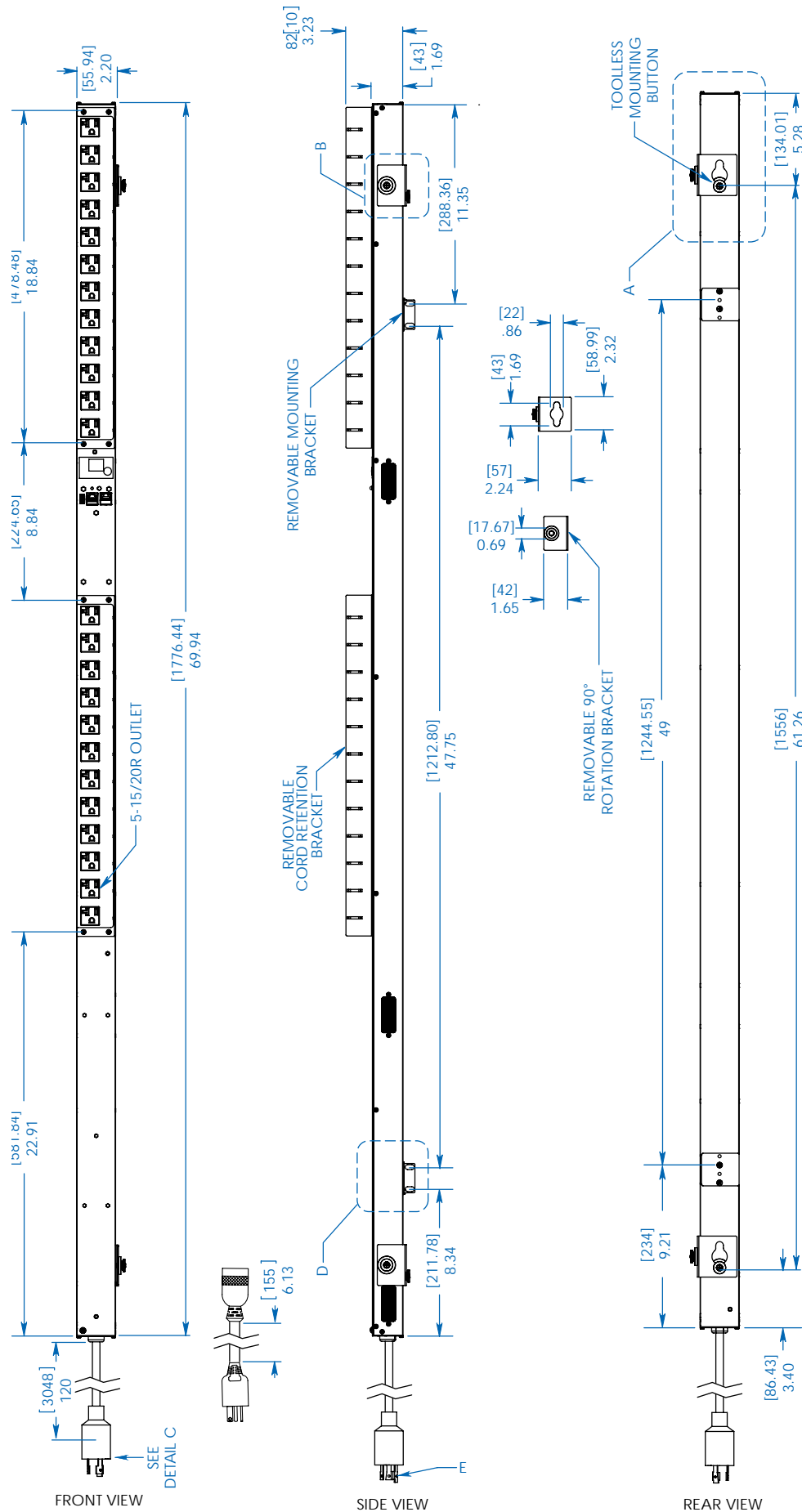


1111 W. 35th Street  
Chicago, IL 60609 USA  
773.869.1234  
www.tripplite.com

### Specifications

Model	PDUMNV20LX
Voltage	120-127V
Frequency	50/60 Hz
Load Capacity	1.9kW
Input Connector	L5-20P or 5-20P
Cord Length	10 ft. / 3 m
Outlets	24 (5-15/20R)
Primary Mounting Option	0U (Vertical) Rack Mount
Unit Dimensions	70 x 2.19 x 1.75 in. / 1778 x 56 x 44 mm
Unit Weight	10 lb. / 4.5 kg
Standards	Tested to UL/CAN 60950-1 (US & Canada), NOM (Mexico), FCC Class A; RoHS; TAA





MODEL:  
**PDUMNV20LX**

**TRIPP-LITE**

1111 W. 35th Street  
 Chicago, IL 60609 USA  
 773.869.1234  
 www.triplite.com

Dimensions: [mm] INCHES

Tripp Lite has a policy of continuous improvement. Specifications are subject to change without notice.