

MODEL:

# PDUMNV15LX

## Monitored 0U Vertical PDU



Low Voltage  
Input/Output



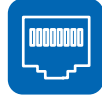
16 Outlets



1.4kW Load  
Capacity



Load Meter



Network  
Interface



0U Rack-Mount

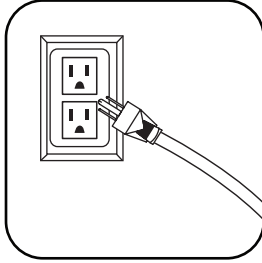


Toolless  
Mounting  
Buttons



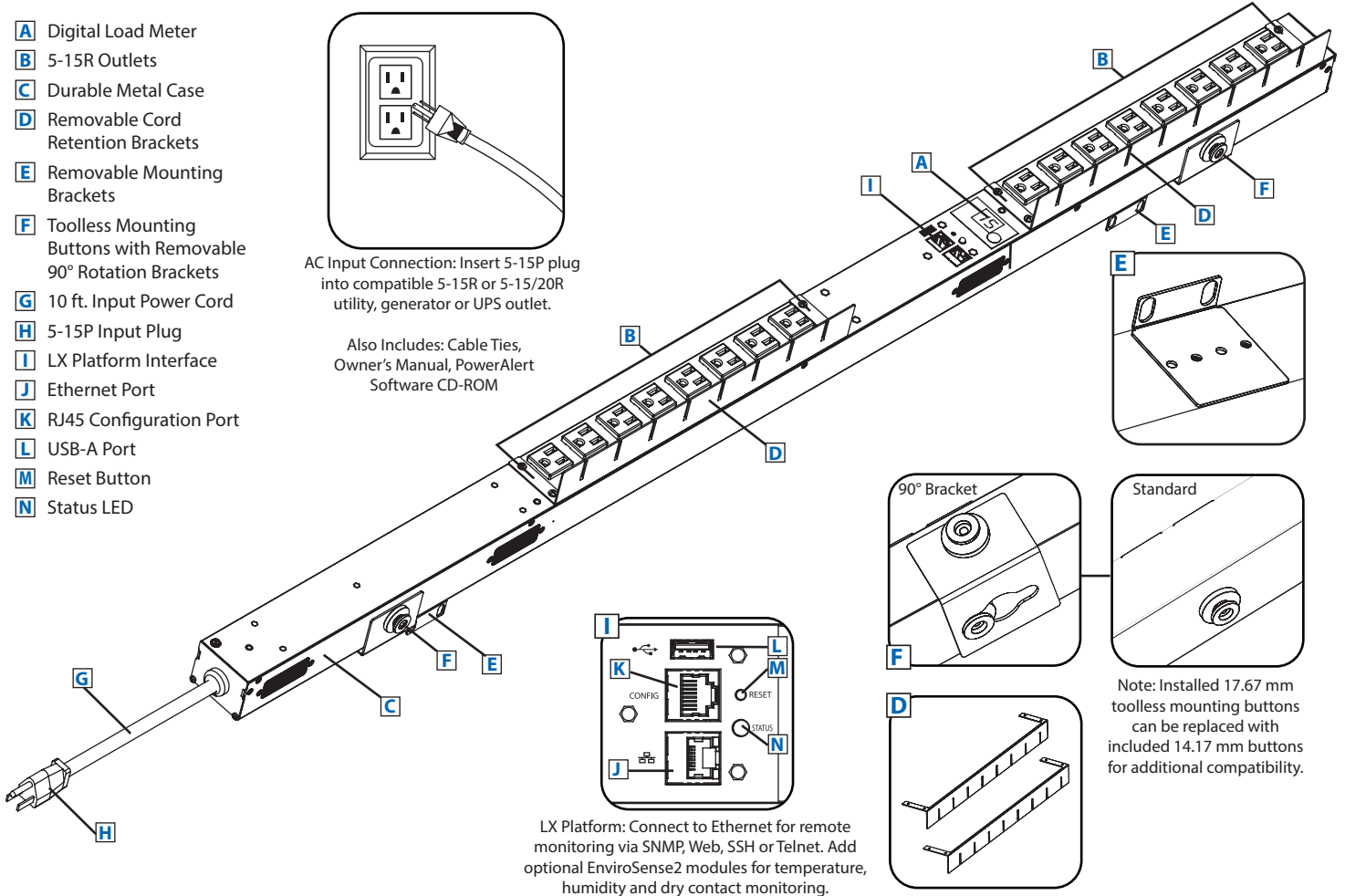
TAA-Compliant

- A** Digital Load Meter
- B** 5-15R Outlets
- C** Durable Metal Case
- D** Removable Cord Retention Brackets
- E** Removable Mounting Brackets
- F** Toolless Mounting Buttons with Removable 90° Rotation Brackets
- G** 10 ft. Input Power Cord
- H** 5-15P Input Plug
- I** LX Platform Interface
- J** Ethernet Port
- K** RJ45 Configuration Port
- L** USB-A Port
- M** Reset Button
- N** Status LED



AC Input Connection: Insert 5-15P plug into compatible 5-15R or 5-15/20R utility, generator or UPS outlet.

Also Includes: Cable Ties, Owner's Manual, PowerAlert Software CD-ROM



LX Platform: Connect to Ethernet for remote monitoring via SNMP, Web, SSH or Telnet. Add optional EnviroSense2 modules for temperature, humidity and dry contact monitoring.

Note: Installed 17.67 mm toolless mounting buttons can be replaced with included 14.17 mm buttons for additional compatibility.

- Distributes power to 16 outlets
- Java-free, HTML5-based network interface allows for remote monitoring via SNMP, Web, SSH or Telnet
- Displays total load in real time
- Perfect for rack-mount server, network and telecom applications

**SEE NEXT PAGE FOR DETAILED UNIT MEASUREMENTS**

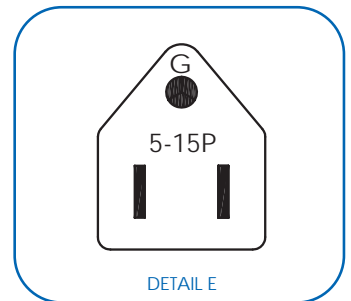
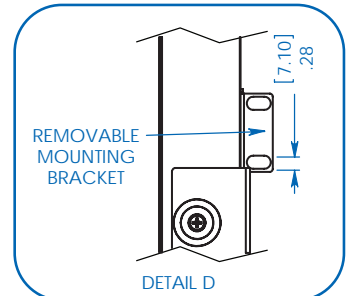
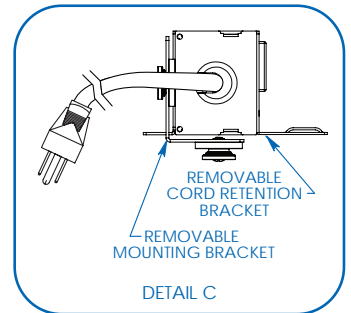
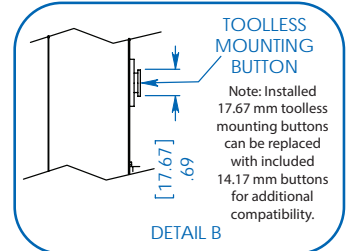
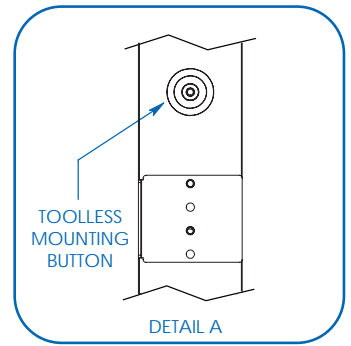
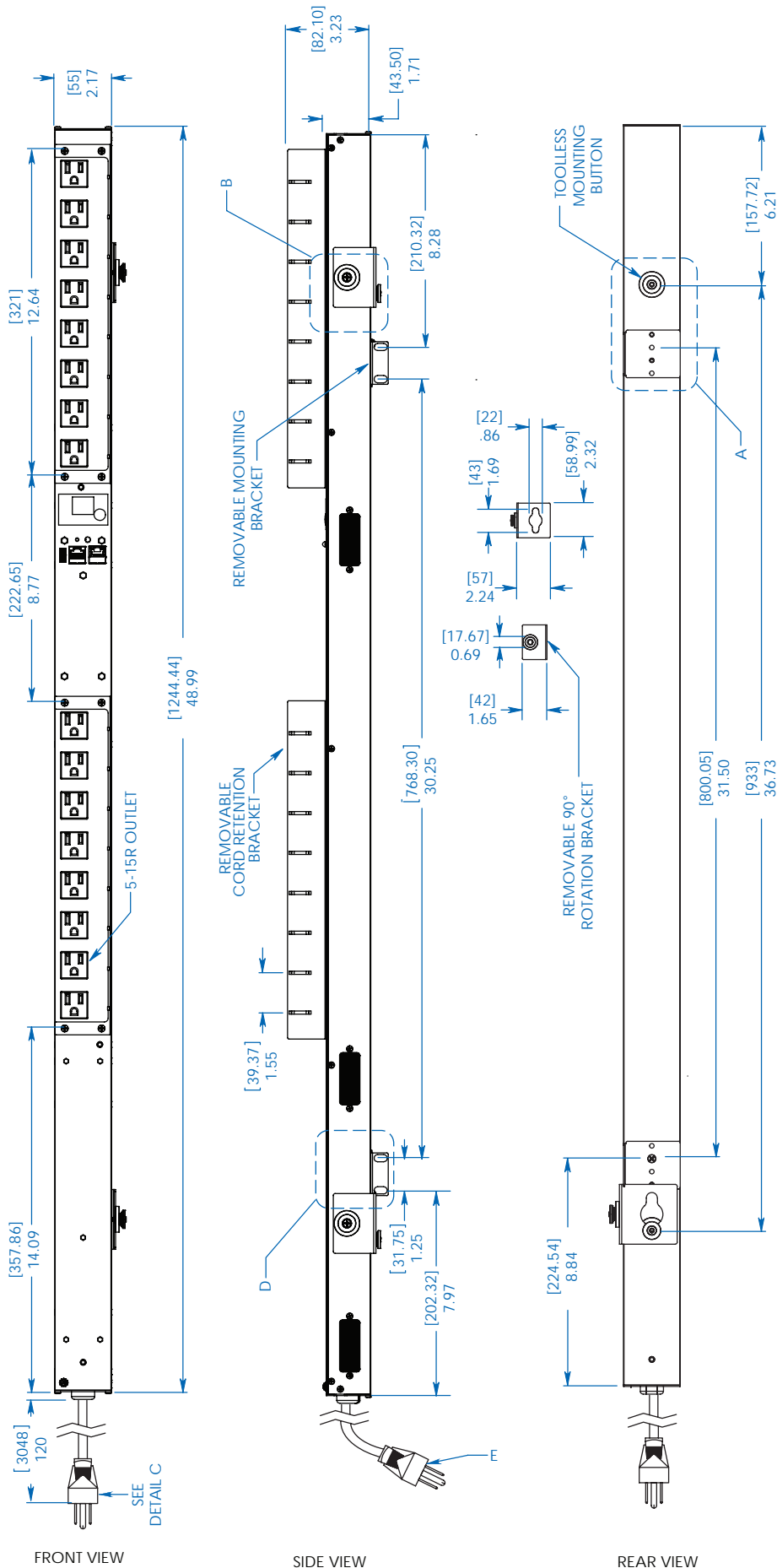


1111 W. 35th Street  
Chicago, IL 60609 USA  
773.869.1234  
www.tripplite.com

### Specifications

|                                    |  |
|------------------------------------|--|
| <b>Model</b>                       | PDUMNV15LX   |
| <b>Voltage</b>                     | 120-127V   |
| <b>Frequency</b>                   | 50/60 Hz   |
| <b>Load Capacity</b>               | 1.4kW  |
| <b>Input Connector</b>             | 5-15P  |
| <b>Cord Length</b>                 | 10 ft. / 3 m   |
| <b>Outlets</b>                     | 16 (5-15R)   |
| <b>Primary Mounting Option</b>     | 0U (Vertical) Rack-mount   |
| <b>Unit Dimensions (H x W x D)</b> | 49 x 2.19 x 1.75 in. / 1245 x 56 x 45 mm                                 |
| <b>Unit Weight</b>                 | 7 lb. / 3.2 kg   |
| <b>Standards</b>                   | Tested to UL 60950-1 (US & Canada), NOM (Mexico), FCC Class A; RoHS; TAA |





MODEL:  
**PDUMNV15LX**



1111 W. 35th Street  
Chicago, IL 60609 USA  
773.869.1234

[www.triplite.com](http://www.triplite.com)

Dimensions: [mm] INCHES

Tripp Lite has a policy of continuous improvement. Specifications are subject to change without notice.