

MODEL:

# PDUMNH16HVAT

## Single-Phase Monitored 1U Rack-Mount PDU



High Voltage  
Input/Output



Automatic  
Transfer Switch



16A Max  
Capacity



Multi-  
Function Display



Network  
Interface



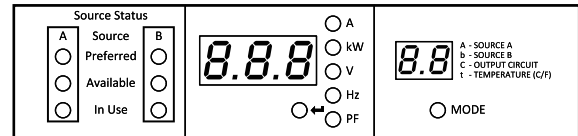
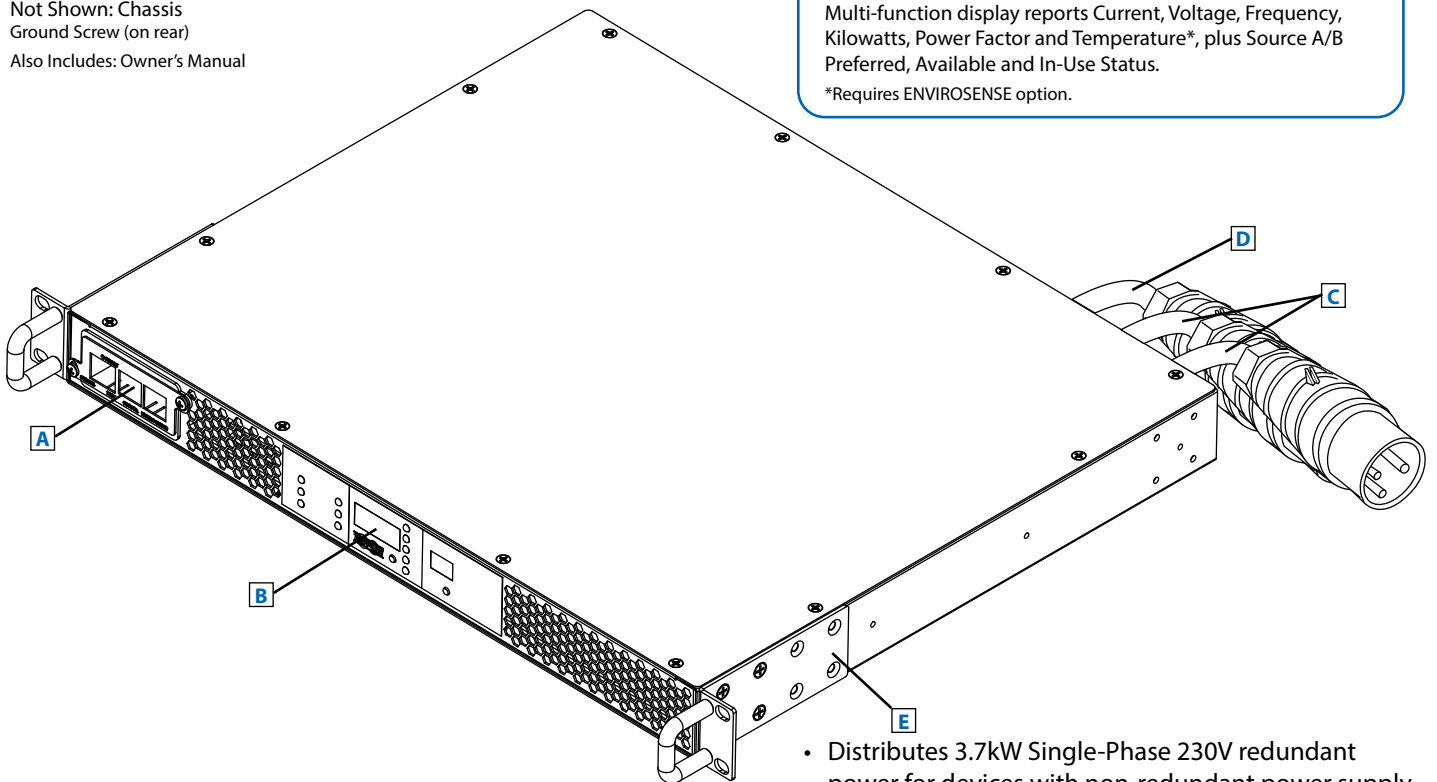
1U Horizontal  
Rack-Mount



IEC 309 16A  
Blue (2P + E)  
Input/Outputs

- A** Network Interface
- B** Multi-Function Display
- C** IEC 309 16A Blue (2P + E) Inputs with 3 m Cords
- D** IEC 309 16A Blue (2P + E) Output
- E** Mounting Brackets

Not Shown: Chassis  
Ground Screw (on rear)  
Also Includes: Owner's Manual



Multi-function display reports Current, Voltage, Frequency, Kilowatts, Power Factor and Temperature\*, plus Source A/B Preferred, Available and In-Use Status.

\*Requires ENVIROSENSE option.

### Specifications

Model	PDUMNH16HVAT
Voltage	230V
Frequency	50 / 60 Hz
Maximum Capacity	3.7kW
Amperage Capacity	16A
Input Connectors	2 x IEC 309 16A Blue (2P + E)
Output Connector	1 x IEC 309 16A Blue (2P + E)
Cord Lengths	3 m
Primary Mounting Option	1U Horizontal Rack-mount
Unit Dimensions (W x H x D)	44 x 430 x 356 mm
Unit Weight	7.9 kg
Certifications	Tested to CE 60950-1 + A1, A2, Class A; RoHS Compliant

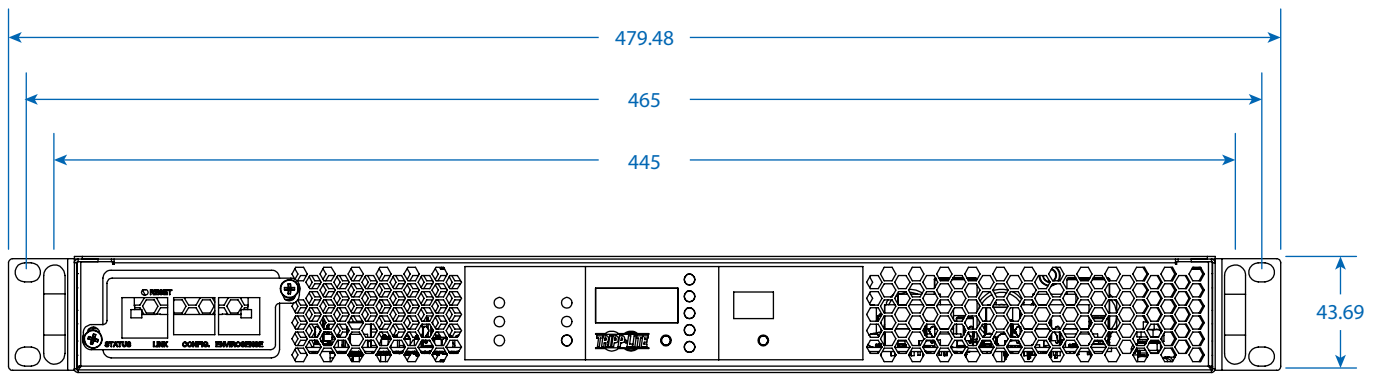


- Distributes 3.7kW Single-Phase 230V redundant power for devices with non-redundant power supply configurations
- Remote monitoring via SSH, telnet or SNMP
- Real-time load/current display with billing-grade accuracy (+/- 1%)
- 1U height and 19-inch (482.6 mm) width ideal for rack-mount applications

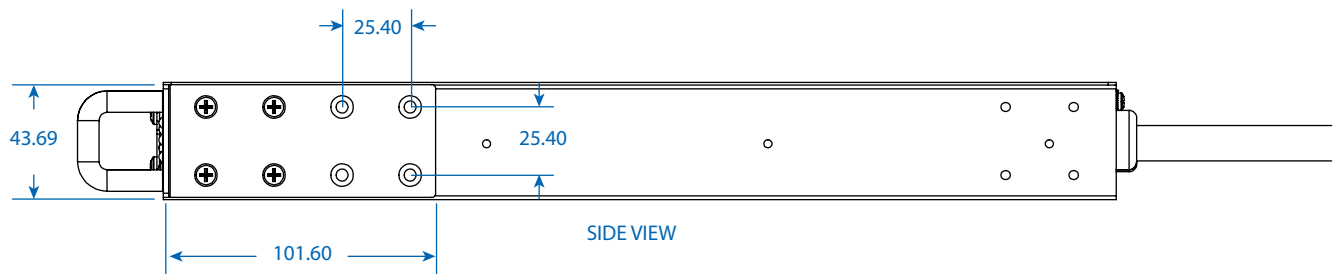
**SEE NEXT PAGE FOR DETAILED UNIT MEASUREMENTS**



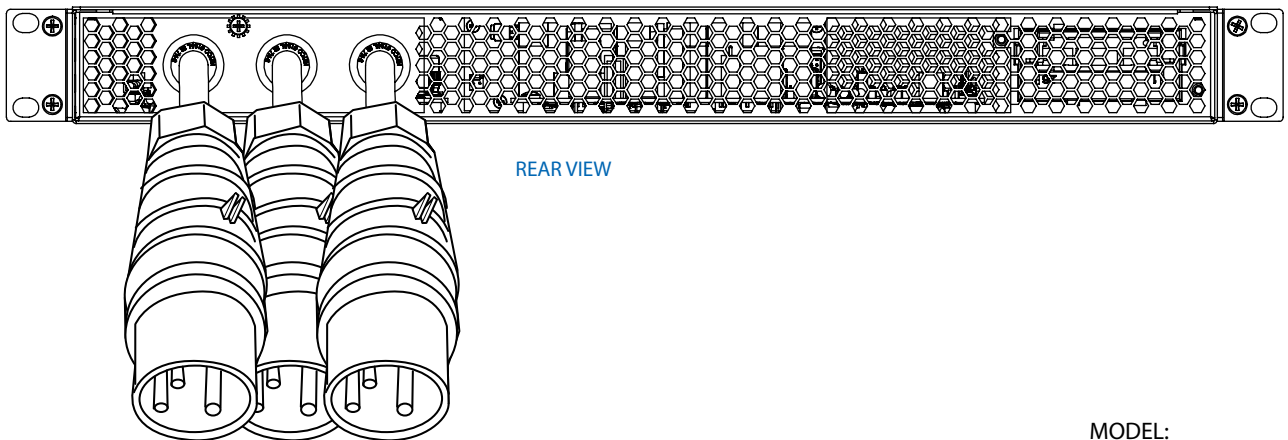
1111 W. 35th Street  
Chicago, IL 60609 USA  
773.869.1234  
www.tripplite.com



FRONT VIEW



SIDE VIEW



REAR VIEW

Dimensions: mm

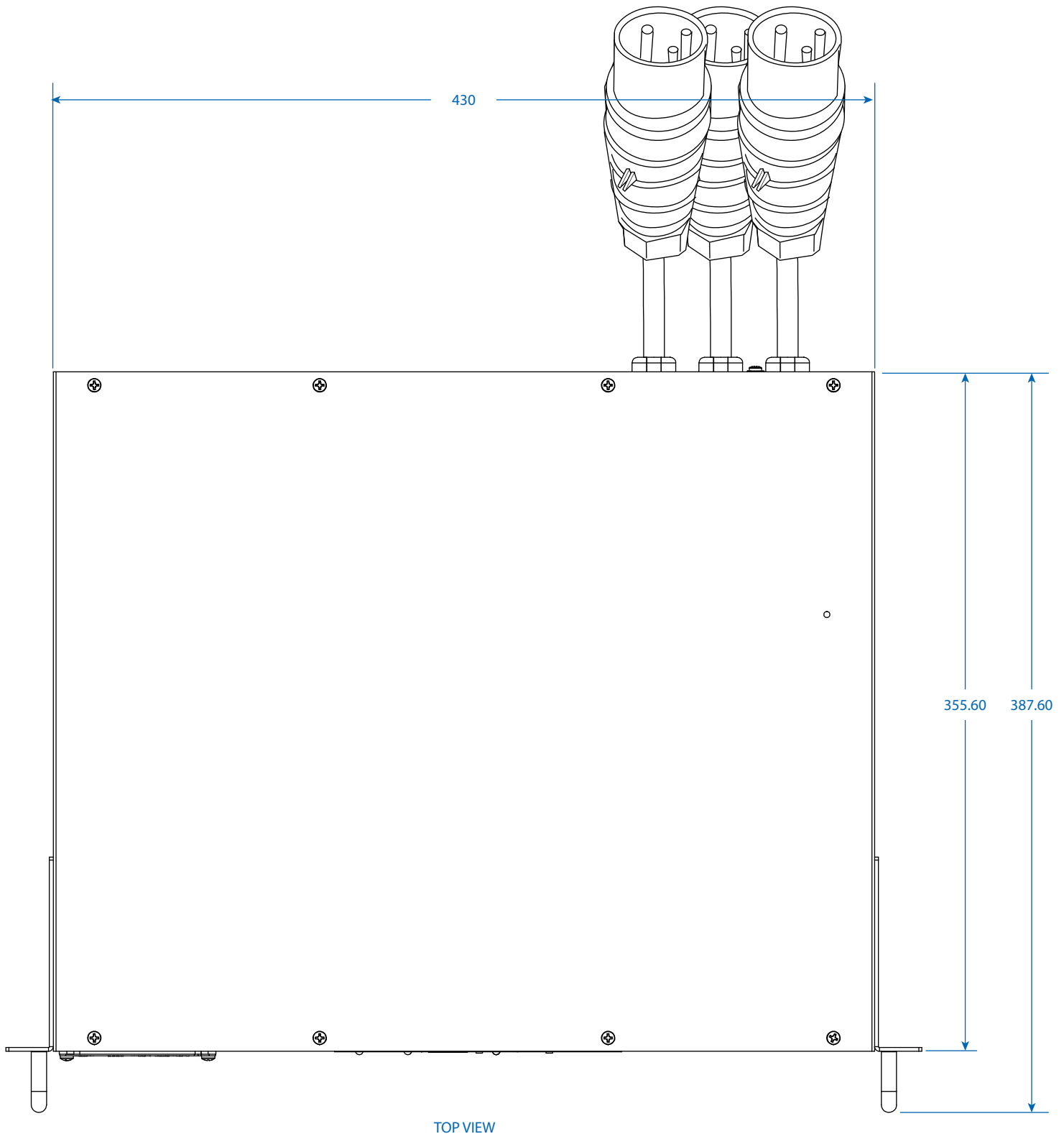
Tripp Lite has a policy of continuous improvement. Specifications are subject to change without notice.

MODEL:  
**PDUMNH16HVAT**



1111 W. 35th Street  
Chicago, IL 60609 USA  
773.869.1234

[www.tripplite.com](http://www.tripplite.com)



TOP VIEW

MODEL:  
**PDUMNH16HVAT**



1111 W. 35th Street  
Chicago, IL 60609 USA  
773.869.1234  
[www.tripplite.com](http://www.tripplite.com)

Dimensions: mm

Tripp Lite has a policy of continuous improvement. Specifications are subject to change without notice.