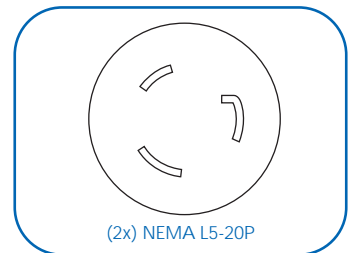
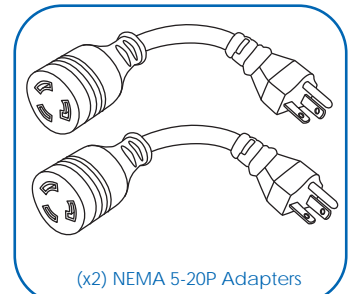
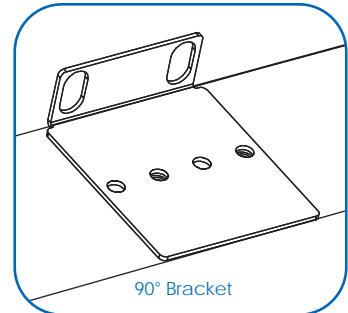
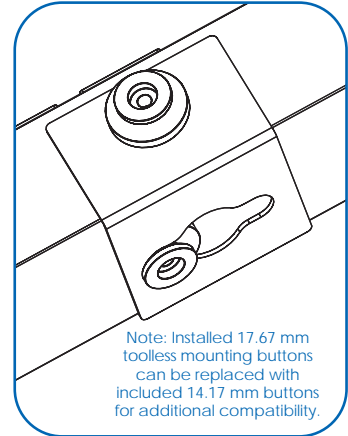
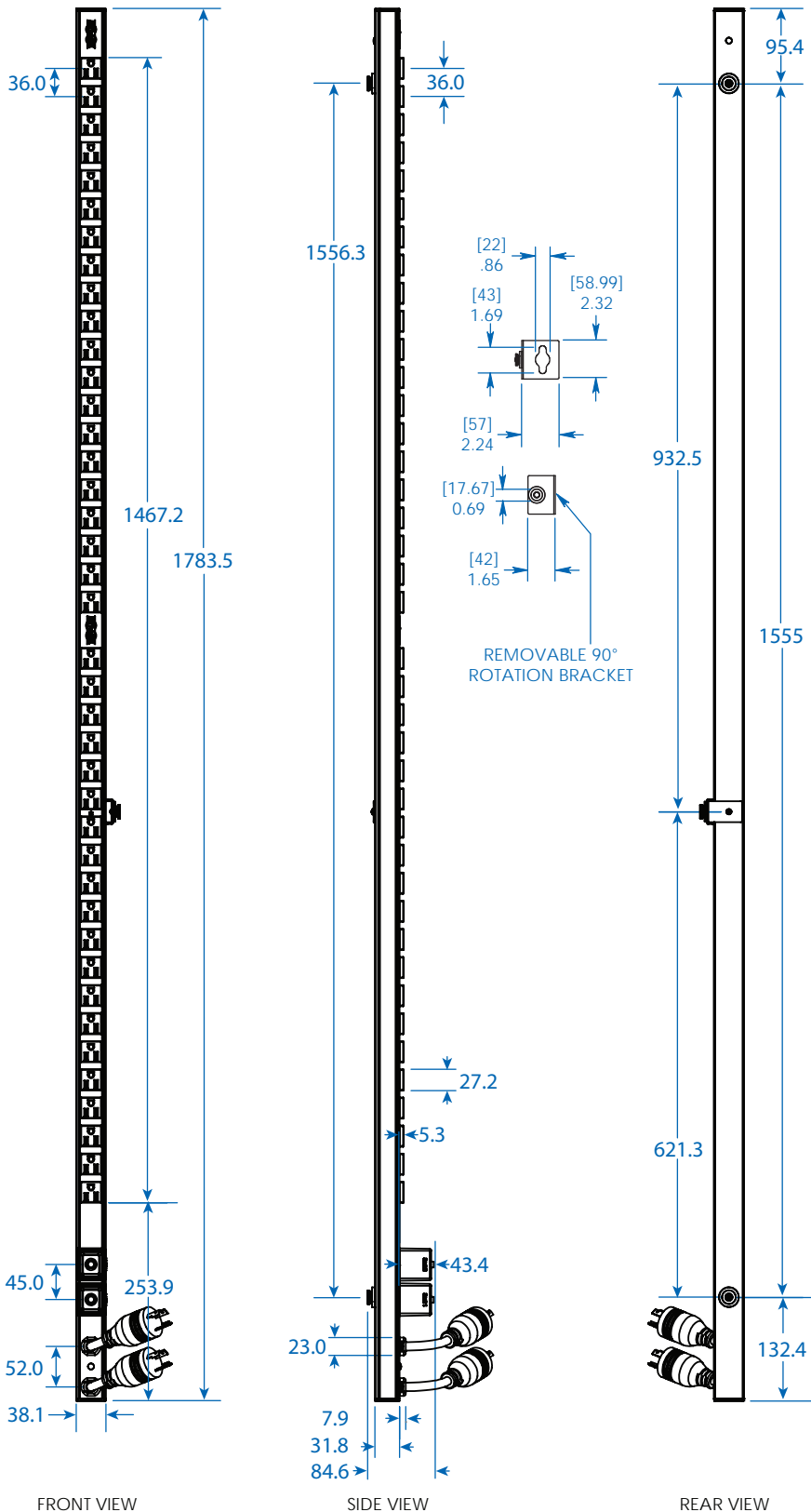


MODEL:

# PDU40TDUAL



Dimensions: mm

Tripp Lite has a policy of continuous improvement. Specifications are subject to change without notice. Photos and illustrations may differ slightly from actual products.



1111 W. 35th Street  
Chicago, IL 60609 USA  
773.869.1234  
tripplite.com